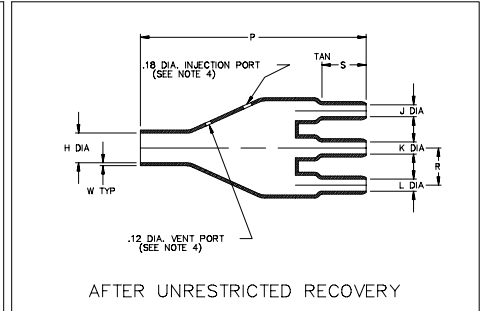
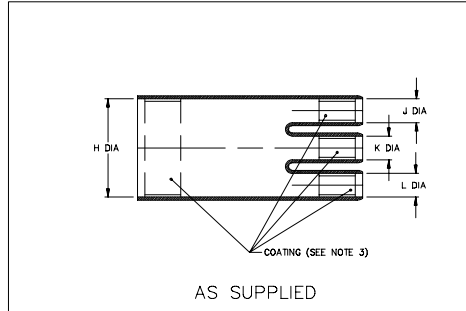


Thermofit[®] Molded Parts Specification Control Drawing

Part Number : 402A013
Description : Transition, 1 to 3
Cables, Parallel

NOTES

- All dimensions are in $\frac{\text{inches}}{\text{millimeters}}$
- Dimensions appearing in table are as follows:
 - a - As Supplied
 - b - After Unrestricted Recovery
- Coating is optional. As supplied dimensions appearing in table are for uncoated parts. When coating is added, entry diameters will be reduced by .06 max.
- Molding ports are optional. When -00 modification number is specified molding ports will be located as shown.



PART NUMBER	H		J, K & L		P	R	S	W
	Min a	Max b	Min a	Max b	±10% b	±10% b	±10% b	±20% b
402A013	1.00 [25,4]	.69 [17,5]	.50 [12,7]	.28 [7,1]	4.25 [108,0]	.72 [18,3]	.75 [19,1]	.06 [1,5]

**If this document is printed it becomes uncontrolled.
Check for the latest revision.**

Raychem

RAYCHEM CORPORATION
300 CONSTITUTION DRIVE
MENLO PARK, CALIFORNIA 94025

Revision : K
Date : 4/21/94

Part Number : 402A013
Description : Transition, 1 to 3
Cables, Parallel

Thermofit[®] Molded Parts Specification Control Drawing

Part Number : 402A013
Description : Transition, 1 to 3
Cables, Parallel

MATERIAL DASH NO.	MATERIAL DESCRIPTION	RT SPEC	COATING SLASH NO.	COATING S NO.	COATING DESCRIPTION
-3	Polyolefin, Semi-rigid	RT-301	/42	S-1017	Adhesive
-4	Polyolefin, Flexible	RT-1304	/42	S-1017	Adhesive
-5	Elastomer, Flexible	RT-501	/42		
-6	Silicone	RT-602	N/A		
-25	Elastomer, Fluid Resistant	RT-1325	N/A		

ORDERING INFORMATION			
Base part number	402A013	-XX	-XX /XX
Material dash number (See Compatibility Chart)			
Modification number (If necessary, see front of scd binder for a complete list)			
Adhesive slash number (If necessary, see Compatibility Chart)			

THIS DRAWING IS SUBJECT TO CHANGE WITHOUT NOTICE; CONSULT YOUR
NEAREST FIELD REPRESENTATIVE FOR CURRENT REVISION

Raychem

RAYCHEM CORPORATION
300 CONSTITUTION DRIVE
MENLO PARK, CALIFORNIA 94025

Revision : K
Date : 4/21/94

Part Number : 402A013
Description : Transition, 1 to 3
Cables, Parallel
CAD FILE MP94134

Mouser Electronics

Authorized Distributor

Click to View Pricing, Inventory, Delivery & Lifecycle Information:

[TE Connectivity:](#)

[820020N001](#)