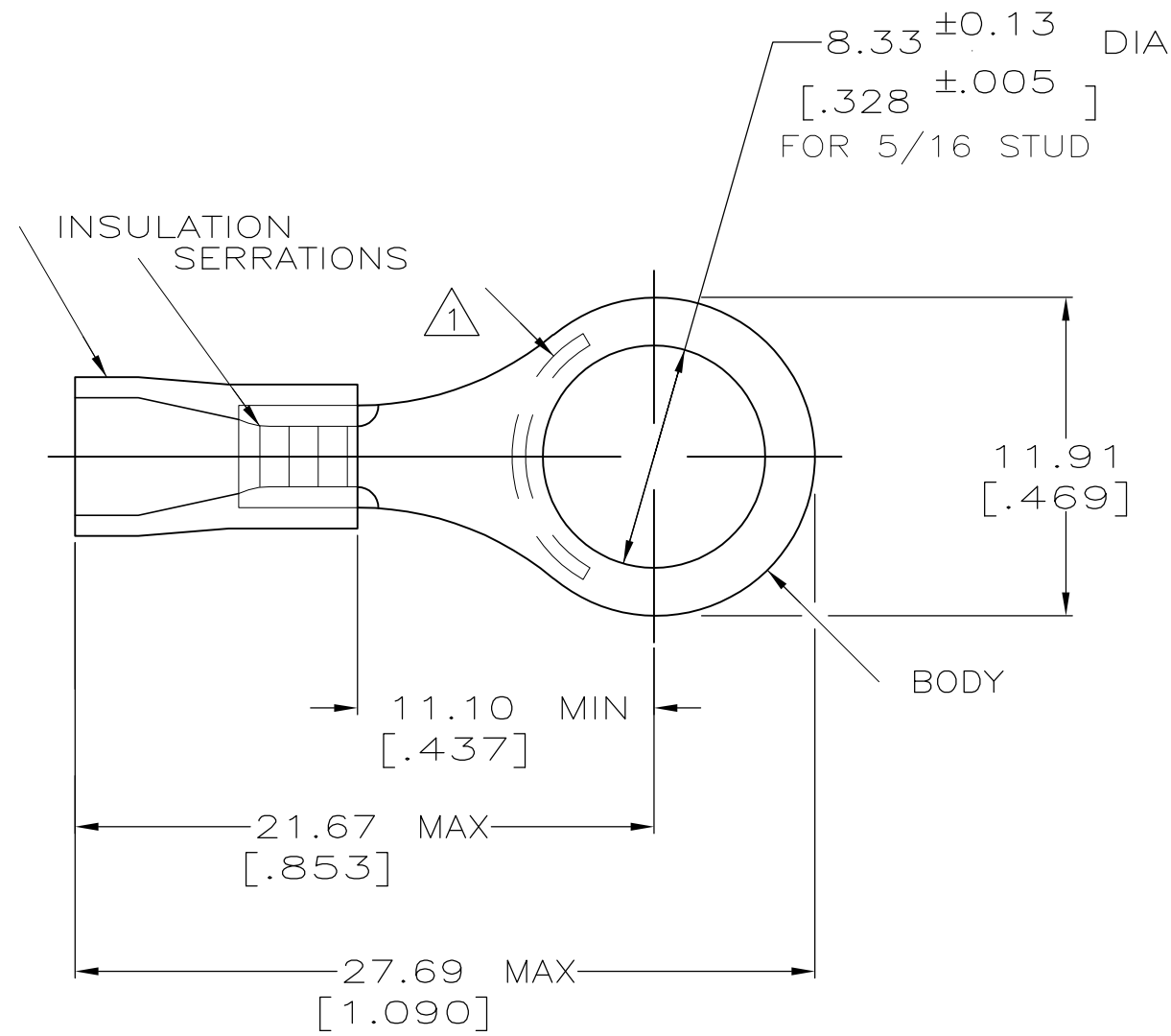


| LOC | DIST | REVISIONS | | | | | |
|-----|------|-----------|-----|---------------------------|---------|-----|------|
| G | 14 | P | LTR | DESCRIPTION | DATE | DWN | APVD |
| | | P1 | | REVISED PER ECO-11-004820 | 11MAR11 | RK | HMR |

| | | |
|--------------------------------|--------------------------------|--------------------------------|
| AMP WIRE RANGE | Listed | LR7189 Certified |
| 16-14 AWG SOLID OR STRANDED | 16-14 AWG SOLID OR STRANDED | 16-14 AWG SOLID OR STRANDED |



- ① STAMP AMP 16-14* APPROX AS SHOWN
- ② WIRE INSULATION DIA: 3.00-4.90 [.118-.193]
- ③ TONGUE MATERIAL THK: 0.79^{±0.05} [.031^{±.002}]
- ④ MATERIAL: BODY - CU PER ASTM B152
SLEEVE - PVC, COLOR - BLUE
- ⑤ MATERIAL: BODY - CU PER ASTM B152
SLEEVE - PVC, COLOR - BLACK
- ⑥ REPLACED BY 34163

| | | | | |
|------------|------|------------------|---|-----------|
| OBSOLETE | 25 | LOOSE PIECE, BAG | ④ | 8-34163-5 |
| | 100 | LOOSE PIECE, BOX | ④ | 8-34163-1 |
| ⑥ OBSOLETE | | LOOSE PIECE | ⑤ | 2-34163-2 |
| | 4000 | ON TAPE, REEL | ④ | 2-34163-1 |
| | - | LOOSE PIECE | ④ | 34163 |
| | QTY | PACKAGE TYPE | | PART NO. |

| | | | | | | | | | | |
|--|---|---|--|--|---|---|-----------------|--------------------|-----------------------|--------------------|
| AMP INCORPORATED CUSTOMER SERVICE SYSTEMS | | MAX RECOMMENDED OPERATING TEMPERATURE: 105°C [221° F] | THIS DRAWING IS A CONTROLLED DOCUMENT. | | DWN DK SCHRUM 08/06/92 CHK RE HERSEY 11/10/92 APVD M ELLIS 11/10/92 | TE Connectivity | | | | |
| FOR ADDITIONAL PRODUCT INFORMATION OR COPIES OF DRAWINGS AND TECHNICAL DOCUMENTS PRODUCT INFORMATION CENTER 1-800-522-6752 | FOR APPLICATION TOOLING INFORMATION TOOLING ASSISTANCE CENTER 1-800-722-1111 | VOLTAGE RATING: N/A | DIMENSIONS: mm[INCHES] | TOLERANCES UNLESS OTHERWISE SPECIFIED: 0 PLC ± - 1 PLC ± - 2 PLC ± 0.20[.008] 3 PLC ± - 4 PLC ± - ANGLES ± - | PRODUCT SPEC 108-1034 | NAME TERMINAL, RING TONGUE, PLASTI-GRIP WIRE SIZE: 16-14 AWG | | | | |
| FOR ORDER ENTRY 1-800-526-5142 | THIS DRAWING IS A CONTROLLED DOCUMENT FOR AMP INCORPORATED. IT IS SUBJECT TO CHANGE AND THE CONTROLLING ENGINEERING ORGANIZATION SHOULD BE CONTACTED FOR THE LATEST REVISION. | CIRCULAR MIL AREA: 1.04-2.62mm ² [2,050-5,180] SOLID OR STRANDED | MATERIAL SEE NOTES | FINISH TIN PER ASTM B545 | APPLICATION SPEC NOT AVAILABLE | WEIGHT - | SIZE A3 | CAGE CODE 00779 | DRAWING NO C-34163 | RESTRICTED TO - |
| CUSTOMER DRAWING | | | | | | SCALE 4:1 | SHEET 1 OF 1 | REV P1 | | |

Mouser Electronics

Authorized Distributor

Click to View Pricing, Inventory, Delivery & Lifecycle Information:

[TE Connectivity:](#)

[34163](#)