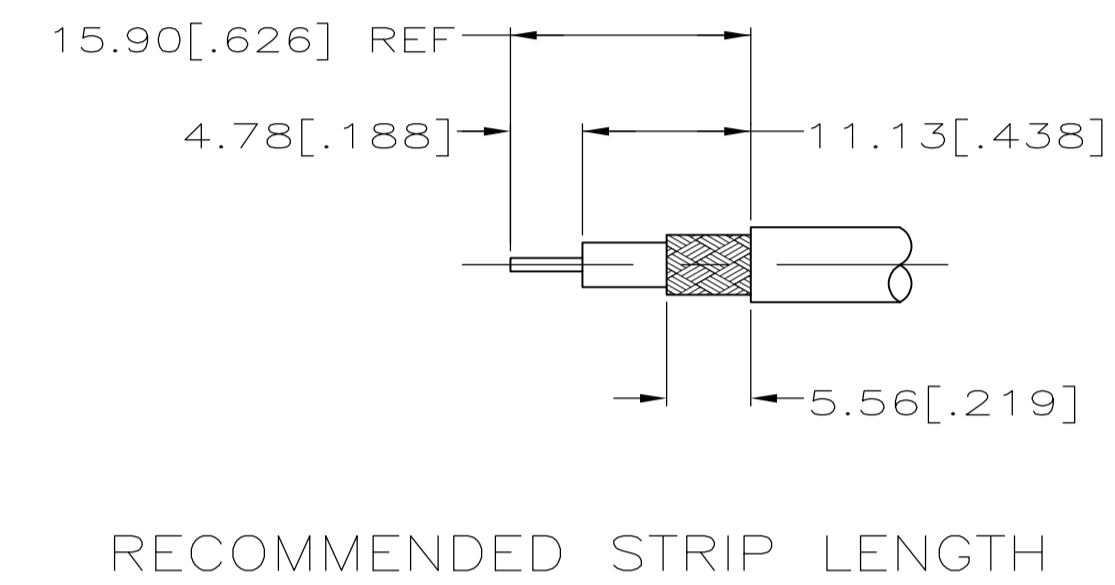
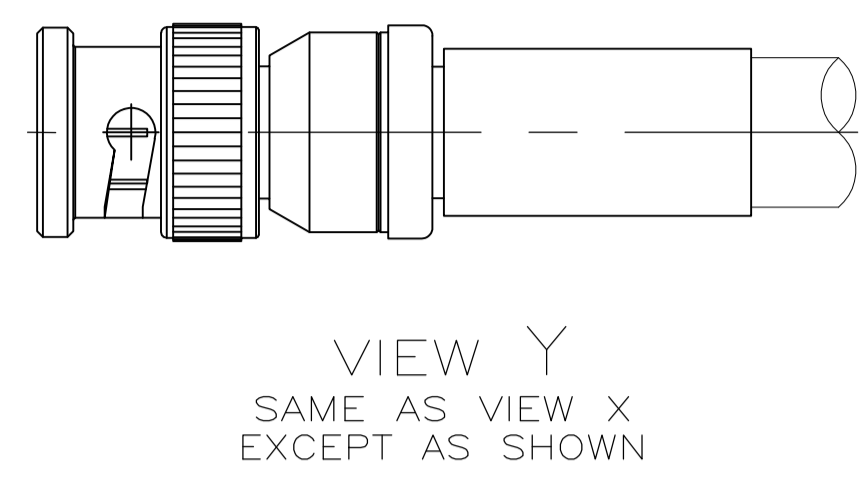
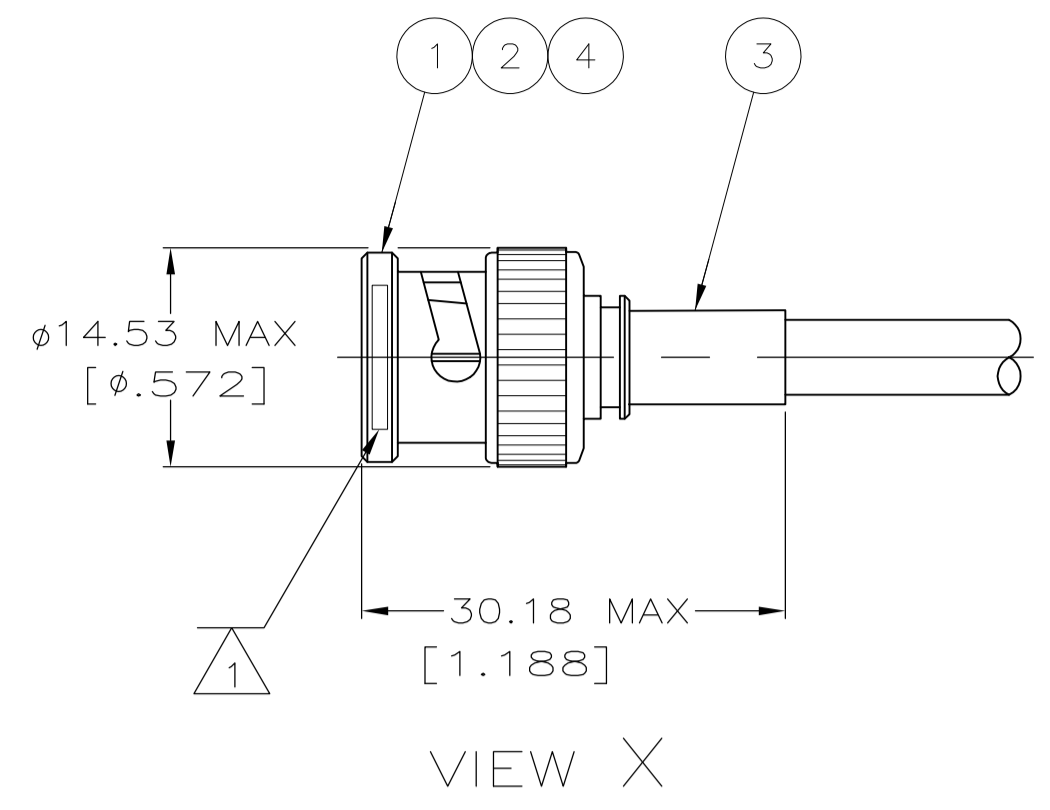


LOC	DIST	REV	DATE	BY	APPV
DF	X0				
REVISIONS					
REV	DESCRIPTION	DATE	BY	APPV	
AH	REVISED PER ECO-15-011822	24NOV15	RS	CT	



- 1 PLUG MARKED AS SHOWN
- 2 SEE I.S. 1914-1
- 3 SEE SEPARATE RESTRICTED DRAWING WITH THIS PART NUMBER
- 4 DIE SET: 69727 WITH PNEUMATIC TOOL: 69365-3 OR HAND TOOL: 69710-1
- 5 BULK PACKAGED

OBSOLETE	BELDEN 8281	220043-1	9-331350-4 & AMP	-	-	9-331256-0	1-331352-7	1883187-2	X	9-331350-4						
	RG-179/U & 187/U	220009-1	9-331350-3 & AMP	-	21427-2	1883188-1	1-331352-4	1883187-1	X	9-331350-3						
OBSOLETE	RG-58/U	-	-	2-331350-1	-	-	-	-	X	9-331350-1						
OBSOLETE	RG-59/U	-	-	331350	-	-	-	-	X	9-331350-0						
	RG-174/U & 188/U	220009-1	-	-	21427-2	1883188-1	1-331352-2	1883187-1	X	8-331350-0						
OBSOLETE	BELDEN YR20621	69478-1	-	-	-	50427-1	1-331357-2	2-331349-1	X	7-331350-7						
SUPERSEDED BY 2-331350-6									X	7-331350-6						
SUPERSEDED BY 5-225395-7	BELDEN 9252 & RG-122/U	69477-2	6-331350-7 & AMP	-	-	2-329461-2	1-331352-0	2-331349-2	X	6-331350-7						
OBSOLETE	RG-122/U	69477-2	6-331350-6 & AMP	-	-	2-329461-2	1-331352-7	2-331349-2	X	6-331350-6						
OBSOLETE	SPECIAL, 0.71[.028] DIAMETER STRANDED CENTER CONDUCTOR, 1.58[.062] OUTSIDE DIAMETER DIELECTRIC, 69477-1	220009-1	6-331350-3 & AMP	-	21427-2	2-328666-3	2-331352-3	2-331349-2	X	6-331350-3						
OBSOLETE	SPECIAL CD-1198	69478-1	6-331350-1 & AMP	-	-	225382-2	225137-2	2-331349-1	X	6-331350-1						
OBSOLETE	BELDEN 8213	220015-1	5-331350-8 & AMP	-	-	9-51713-4	225596-4	225887-1	Y	5-331350-8						
OBSOLETE	BRAND REX T209A	69477-2	5-331350-5 & AMP	-	226171-3	2-329049-1	1-331352-4	2-331349-2	X	5-331350-5						
	BELDEN 8212	69477-1	5-331350-3 & AMP	-	-	9-50428-4	1-331352-7	331349	X	5-331350-3						
OBSOLETE	SPECIAL GRUMMAN AIRCRAFT	220009-1	5-331350-0 & AMP	-	21427-2	2-328666-3	1-331352-7	2-331349-2	X	5-331350-0						
OBSOLETE	BELDEN 8228	69477-3	4-331350-1 & AMP	-	-	1-332224-0	1-331352-6	2-331349-8	X	4-331350-1						
	BELDEN 8281	220043-1	4-331350-0 & AMP	-	-	9-331256-0	1-331352-7	2-331349-8	X	4-331350-0						
OBSOLETE	ITT-3474	220029-1	M39012/16B0007	-	-	50428-1	225137-2	331349	X	3-331350-8						
	RG-142/U, 142A/U & 142B/U	69478-1	M39012/16B0007	-	-	9-329099-2	1-331357-7	2-331349-1	X	2-331350-9						
	RG-180A/U & 195/U	69477-2	2-331350-6 & AMP	-	-	329461	1-331352-4	2-331349-2	X	2-331350-6						
OBSOLETE	RG-179/U & 187/U	220009-1	2-331350-5 & AMP	-	21427-2	2-328666-3	1-331352-4	2-331349-2	X	2-331350-5						
	RG-174/U & 188/U	220009-1	2-331350-4 & AMP	-	21427-2	2-328666-3	1-331352-2	2-331349-2	X	2-331350-4						
OBSOLETE	RG-71/U, 71A/U & 71B/U	69477-1	M39012/16B0012	-	-	329460	2-331352-8	331349	X	2-331350-3						
OBSOLETE	AMPHENOL 21-597	69477-2	2-331350-2 & AMP	-	-	329461	1-331352-2	2-331349-2	X	2-331350-2						
	RG-58/U, 58A/U, 58B/U & 58C/U	69478-1	M39012/16B0004	-	-	9-50427-3	1-331357-6	2-331349-1	X	2-331350-1						
	RG-59/U, 59A/U, 59B/U, 62/U, 62A/U & 62B/U	69477-1	M39012/16B0008	-	-	9-50428-4	2-331352-8	331349	X	331350						
	FOR USE WITH CABLE	USE CRIMPING TOOL	MARKING	1	5	PLUG QTY=1	4	BUSHING QTY=1	3	FERRULE QTY=1	2	CONTACT QTY=1	1	PLUG ASSEMBLY QTY=1	VIEW	PART NUMBER

THIS DRAWING IS A CONTROLLED DOCUMENT.

DIMENSIONS: mm	TOLERANCES UNLESS OTHERWISE SPECIFIED:	0 PLC ± -	1 PLC ± -	2 PLC ± -	3 PLC ± 0.41[.016]	4 PLC ± -	ANGLES ± -
----------------	--	-----------	-----------	-----------	--------------------	-----------	------------

MATERIAL: - FINISH: -

APPROVED: M. PHILLIPS 23JAN91

NAME: PLUG, DUAL CRIMP, SERIES BNC

PRODUCT SPEC: 108-12020

APPLICATION SPEC: -

SIZE: A1

WEIGHT: -

CAGE CODE: 00779

DRAWING NO: 331350

RESTRICTED TO: -

CUSTOMER DRAWING

SCALE: 2:1

SHEET: 1 OF 1

REV: AH

# Mouser Electronics

Authorized Distributor

Click to View Pricing, Inventory, Delivery & Lifecycle Information:

[TE Connectivity:](#)

[2-331350-6](#)