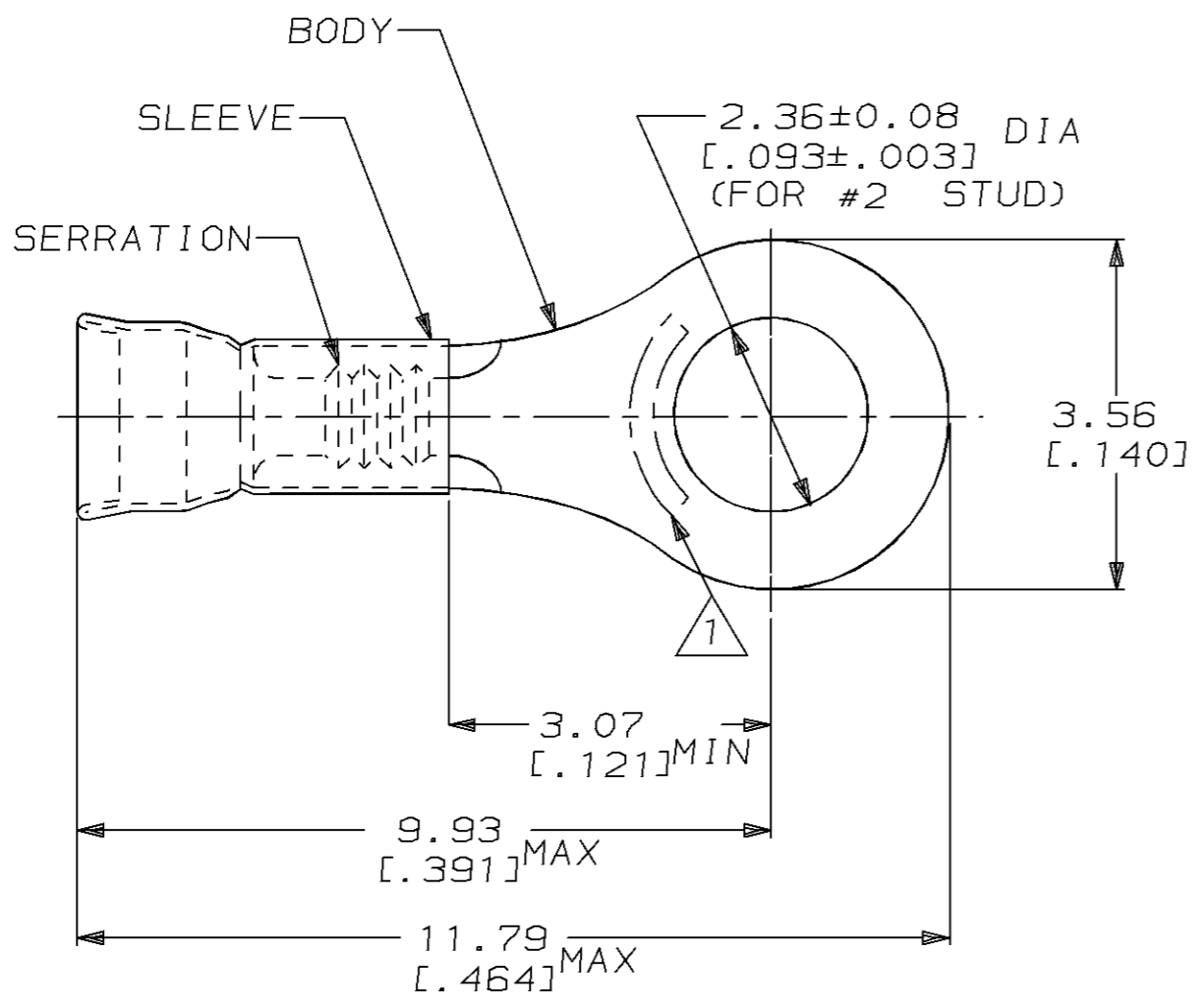


THIS DRAWING IS UNPUBLISHED. RELEASED FOR PUBLICATION ,19 .  
 © COPYRIGHT 19 BY AMP INCORPORATED. ALL RIGHTS RESERVED.

LOC		DIST		REVISIONS			
P	LTR	DESCRIPTION		DATE	DWN	APVD	
G	14	E		REDRAWN PER 0720-0470-95	23JAN95	LO ME	



△ STAMP AMP LOCATE APPROX AS SHOWN

- 2. WIRE INSUL DIA, 1.27-2.08 [ $.050-.082$ ]
- 3. TONGUE MATL THK, 0.46±0.05 [ $.018\pm.002$ ]

5000	ON TAPE, REEL	2-31518-1
1000	LOOSE PIECE	31518
QTY	PACKAGE TYPE	PART NO

**AMP INCORPORATED**  
**CUSTOMER SERVICE SYSTEM**

FOR ADDITIONAL PRODUCT INFORMATION OR COPIES OF DRAWINGS AND TECHNICAL DOCUMENTS: PRODUCT INFORMATION CENTER 1-800-522-6752

FOR APPLICATION TOOLING INFORMATION: TOOLING ASSISTANCE CENTER 1-800-722-1111

FOR ORDER ENTRY: 1-800-526-5142

MAX RECOMMENDED OPERATING TEMPERATURE: -

VOLTAGE RATING: -

CIRCULAR MIL AREA: 0.10mm<sup>2</sup>-0.41mm<sup>2</sup> [202-810]

STRANDED WIRE

THIS DRAWING IS A CONTROLLED DOCUMENT FOR AMP INCORPORATED. IT IS SUBJECT TO CHANGE AND THE CONTROLLING ENGINEERING ORGANIZATION SHOULD BE CONTACTED FOR THE LATEST REVISION.

DIMENSIONS: mm [in]

TOLERANCES UNLESS OTHERWISE SPECIFIED:

0 PLC	±-
1 PLC	±-
2 PLC	±0.20 [.008]
3 PLC	±-
4 PLC	±-
ANGLES	±-

MATERIAL: BODY, CU, SLV, CU PER ASTM B152

FINISH: TIN PLATE PER MIL-T-10727

DWN: L OLMEDA 23JAN95  
 CHK: M ELLIS 23JAN95  
 APVD: S BORTNER 23JAN95

PRODUCT SPEC: -  
 APPLICATION SPEC: -  
 WEIGHT: -

CUSTOMER DRAWING

**AMP** AMP Incorporated  
 Harrisburg, PA 17105-3608

NAME: TERMINAL, RING, DIAMOND GRIP, WIRE SIZE, 26-22 AWG

SIZE: A3 CAGE CODE: 00779 DRAWING NO: C-31518

SCALE: 10:1 SHEET: 1 OF 1 REV: E

# Mouser Electronics

Authorized Distributor

Click to View Pricing, Inventory, Delivery & Lifecycle Information:

[TE Connectivity:](#)

[31518](#)