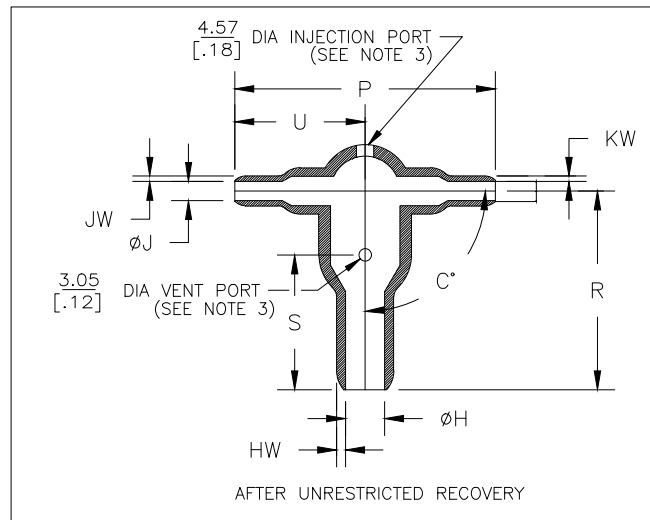
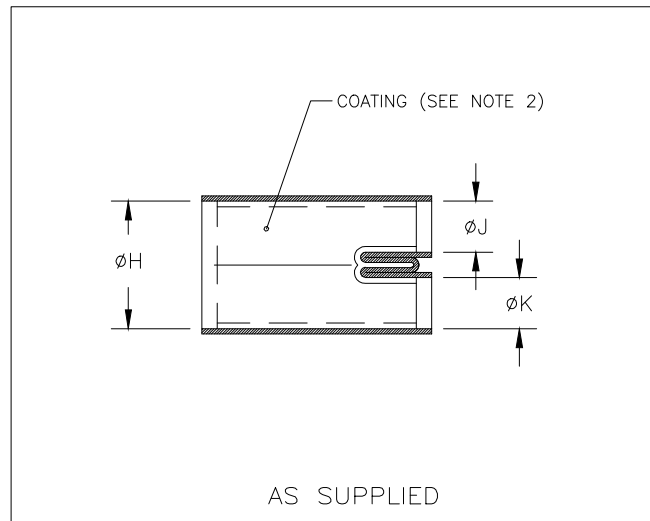


REVISIONS				
P	LTR	DESCRIPTION	DATE	APVD
	M	PRODUCTION ISSUE	29JAN2019	PNT MT



PART NUMBER	H		J & K		P	R	S	U	HW	JW & KW	C°
	Min a	Max b	Min a	Max b	$\pm 10\%$ b	$\pm 10\%$ b	$\pm 10\%$ b	$\pm 10\%$ b	$\pm 20\%$ b	$\pm 20\%$ b	$\pm 5^{\circ}$ b
302A012	13.2 [.52]	6.1 [.24]	6.6 [.26]	3.0 [.12]	35.8 [1.41]	26.4 [1.04]	18.3 [.72]	17.8 [.70]	1.5 [.06]	1.0 [.04]	90°
302A024	26.9 [1.06]	12.4 [.49]	13.2 [.52]	6.1 [.24]	67.1 [2.64]	54.4 [2.14]	33.5 [1.32]	33.5 [1.32]	2.5 [.10]	1.5 [.06]	90°
302A037	55.6 [2.19]	25.4 [1.00]	26.9 [1.06]	12.4 [.49]	145.5 [5.73]	112.8 [4.44]	78.7 [3.10]	72.6 [2.86]	4.6 [.18]	2.5 [.10]	90°

RELEASED FOR PUBLICATION

ALL RIGHTS RESERVED.

THIS DRAWING IS UNPUBLISHED.

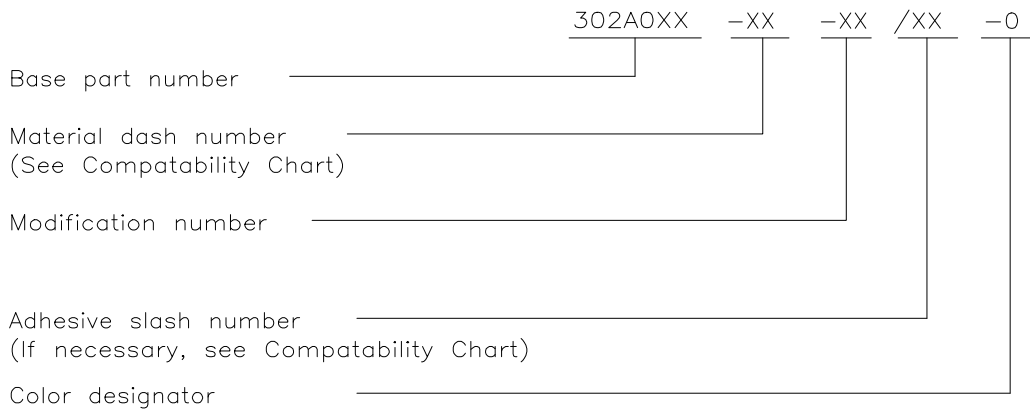
© COPYRIGHT - TE Connectivity Ltd.

DIMENSIONS: mm [INCHES]	DWN	29JAN2019	MATERIAL	SEE SHEET 2	FINISH	-	
	CHK	29JAN2019	TE Connectivity Ltd.				
TOLERANCES UNLESS OTHERWISE SPECIFIED:	APVD	29JAN2019					
0 PLC ± -	PRODUCT SPEC	-	NAME				TRANSITION, T
1 PLC ± -	APPLICATION SPEC	-	SIZE	CAGE CODE	DRAWING NO	RESTRICTED TO	
2 PLC ± -	WEIGHT	-	A4	00779	C-302A012-XX-0THRU037-XX-0	-	
3 PLC ± -	CUSTOMER DRAWING		SCALE	DNS	SHEET	1 OF 2	
4 PLC ± -						REV	
ANGLES ± -						M	

REVISIONS					
P	LTR	DESCRIPTION	DATE	DWN	APVD
	-	SEE SHEET 1	-	-	-

COMPATABILITY CHART				
MATERIAL DASH NO.	MATERIAL DESCRIPTION	RT SPEC	COATING SLASH NO.	COATING S NO.
-3	Polyolefin, Semi-rigid	RT-301	/42;/86;/180	S1017;S1048;S1030
-4	Polyolefin, Flexible	RT-1304	/42;/86;/180	S1017;S1048;S1030
-12	Fluoroelastomer, Flexible	RT-1312	N/A	N/A
-25	Elastomer, Fluid Resistant	RW-2070	/42;/86;/225	S1017;S1048;S1206
-100	Polyolefin, Simi-Flexible ZEROHAL	RW-2082	/86;/180	S1048;S1030

ORDERING INFORMATION



NOTES


- Dimensions appearing in table are as follows:
 - a - As Supplied
 - b - After Unrestricted Recovery
- Coating is optional. As supplied dimensions appearing in table are for uncoated parts. When coating is added, entry diameters will be reduced by 1.5mm[.06] max.
- Molding ports are optional. When -00 modification number is specified molding ports will be located as shown.

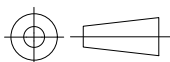
RELEASED FOR PUBLICATION

ALL RIGHTS RESERVED.

TE Connectivity Ltd.

THIS DRAWING IS UNPUBLISHED.

DIMENSIONS: mm [INCHES]	DWN PRAVEEN N T 29JAN2019	MATERIAL -	FINISH -		
	CHK N NAGAR 29JAN2019	 TE Connectivity Ltd.			
TOLERANCES UNLESS OTHERWISE SPECIFIED:	APVD M TAYLOR 29JAN2019			NAME TRANSITION, T	
0 PLC ± -	PRODUCT SPEC	SIZE	CAGE CODE	DRAWING NO	RESTRICTED TO
1 PLC ± -	-	A4	00779	C-302A012-XX-0THRU037-XX-0	-
2 PLC ± -	APPLICATION SPEC	CUSTOMER DRAWING			
3 PLC ± -	-	SCALE	DNS		SHEET 2 OF 2
4 PLC ± -	WEIGHT	REV		M	
ANGLES ± -					



Mouser Electronics

Authorized Distributor

Click to View Pricing, Inventory, Delivery & Lifecycle Information:

[TE Connectivity:](#)

[820114-000](#)