

REVISIONS					
P	LTR	DESCRIPTION	DATE	DWN	APVD
	2	PRODUCTION ISSUE	05FEB2019	PNT	MT

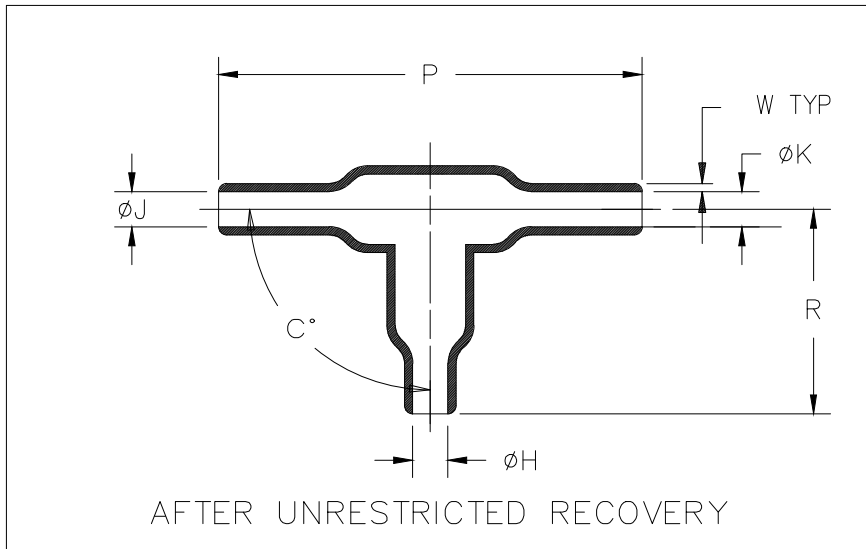
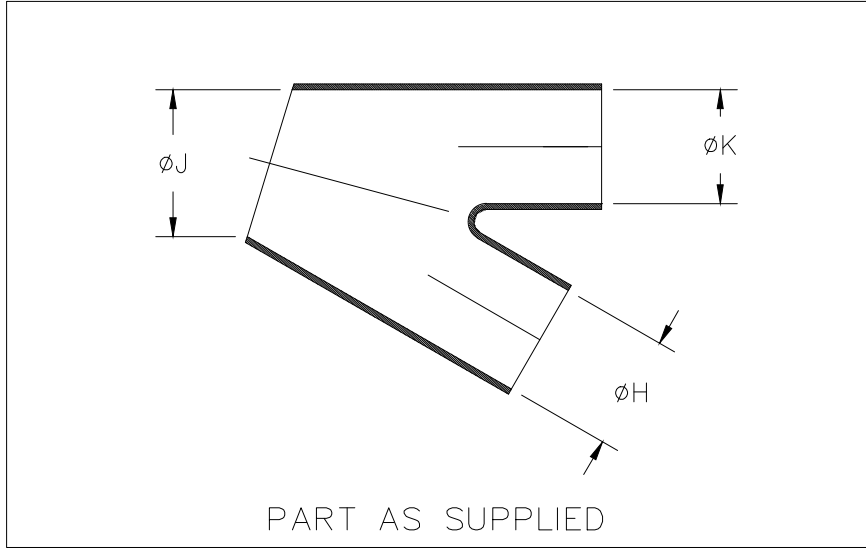



TABLE OF DIMENSIONS						
PART NUMBER	H, J & K		P	R	W	$C^\circ$
	Min	Max	$\pm 10\%$	$\pm 10\%$	$\pm 30\%$	$\pm 5^\circ$
	a	b	b	b	b	b
301A034-25-G02	$\frac{32.0}{[1.26]}$	$\frac{13.5}{[.53]}$	$\frac{120}{[4.73]}$	$\frac{60.0}{[2.36]}$	$\frac{2.3}{[.09]}$	$90^\circ$

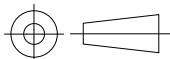
RELEASED FOR PUBLICATION

ALL RIGHTS RESERVED.

© COPYRIGHT - TE Connectivity Ltd.

THIS DRAWING IS UNPUBLISHED.

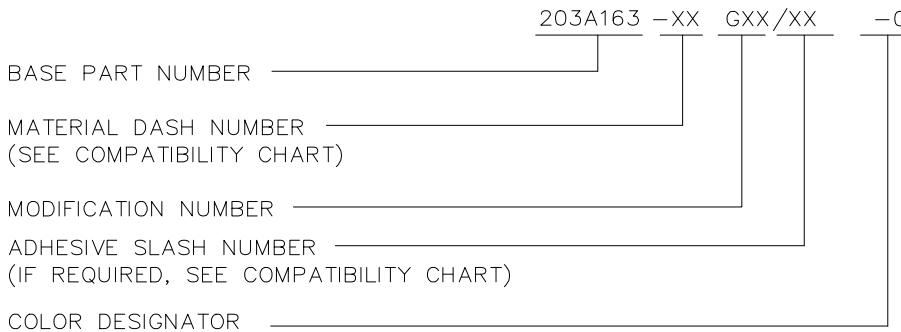
DIMENSIONS: mm [INCHES]	DWN PRAVEEN N T	05FEB2019	MATERIAL SEE SHEET 2	FINISH -
	CHK N NAGAR	05FEB2019	 TE Connectivity Ltd.	
TOLERANCES UNLESS OTHERWISE SPECIFIED:	APVD M TAYLOR	05FEB2019		
0 PLC $\pm -$	PRODUCT SPEC	-	NAME TRANSITION, T ANGLE EXPANDED	
1 PLC $\pm -$	APPLICATION SPEC	-	SIZE A4	CAGE CODE 00779
2 PLC $\pm -$	WEIGHT	-	DRAWING NO 301A034-25-G02-0	RESTRICTED TO -
3 PLC $\pm -$			SCALE DNS	
4 PLC $\pm -$			SHEET 1 OF 2	
ANGLES $\pm -$			REV 2	
CUSTOMER DRAWING				



REVISIONS				
P	LTR	DESCRIPTION	DATE	APVD
-	-	SEE SHEET 1	-	-

COMPATIBILITY CHART				
MATERIAL DASH NO.	MATERIAL DESCRIPTION	RT SPEC	COATING SLASH NO.	COATING SPEC
-3	POLYOLEFIN, SEMI-RIGID	RT-301	/42;/86;/180	S1017;S1048;S1030
-4	POLYOLEFIN, FLEXIBLE	RT-1304	/42;/86;/180	S1017;S1048;S1030
-25	ELASTOMER, FLUID RESISTANT	RW-2070	/42;/86;/225	S1017;S1048;S1206

ORDERING INFORMATION



NOTES

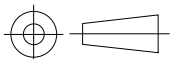
- 1) AS SUPPLIED DIMENSIONS ARE FOR UNCOATED PARTS, WHEN COATING IS ADDED ENTRY DIAMETERS WILL REDUCE BY 1.5MM[.06] MAX.

RELEASED FOR PUBLICATION

ALL RIGHTS RESERVED.

COPYRIGHT - TE Connectivity Ltd.

DIMENSIONS: mm [INCHES]	DWN PRAVEEN N T	05FEB2019	MATERIAL	-	FINISH	-
	CHK N NAGAR	05FEB2019	TE Connectivity Ltd.			
TOLERANCES UNLESS OTHERWISE SPECIFIED:	APVD M TAYLOR	05FEB2019				
0 PLC ± -	PRODUCT SPEC	-	NAME TRANSITION, T ANGLE EXPANDED			
1 PLC ± -	APPLICATION SPEC	-	SIZE	CAGE CODE	DRAWING NO	RESTRICTED TO
2 PLC ± -			A4	00779	C-301A034-25-G02-0	-
3 PLC ± -	WEIGHT	-	CUSTOMER DRAWING			
4 PLC ± -			SCALE	DNS	SHEET	2 OF 2
ANGLES ± -					REV	2



# Mouser Electronics

Authorized Distributor

Click to View Pricing, Inventory, Delivery & Lifecycle Information:

[TE Connectivity:](#)

[664513-000](#)