

4

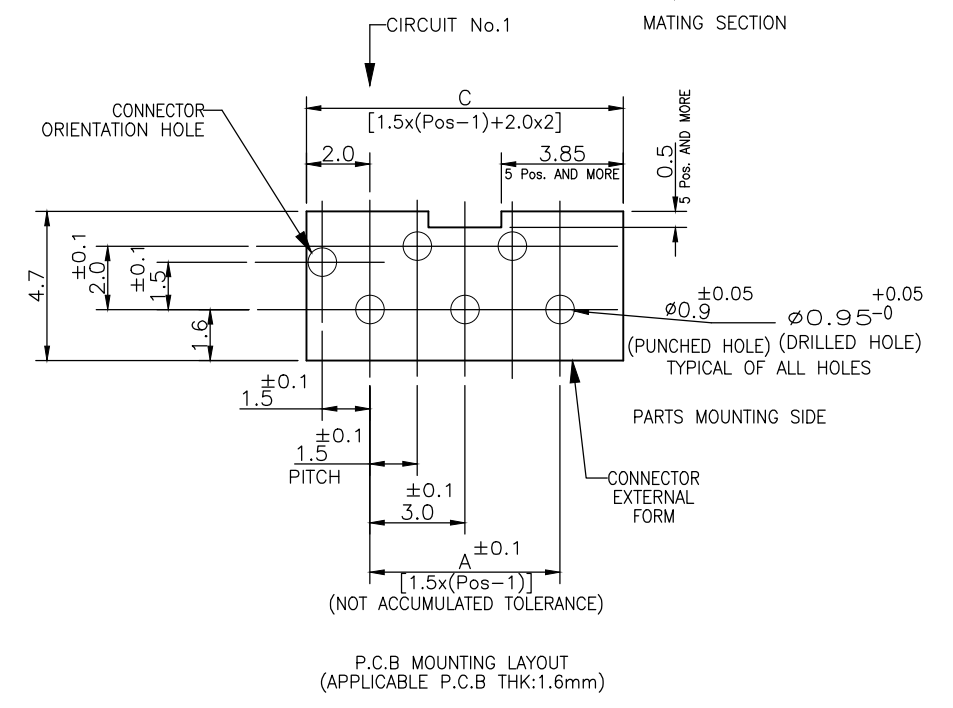
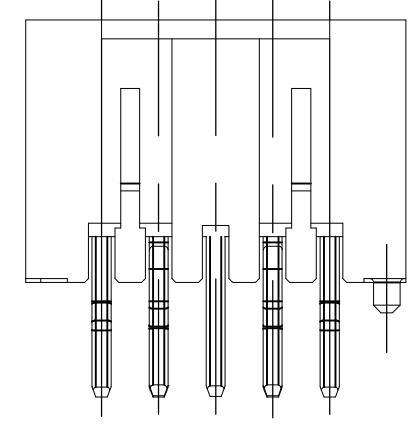
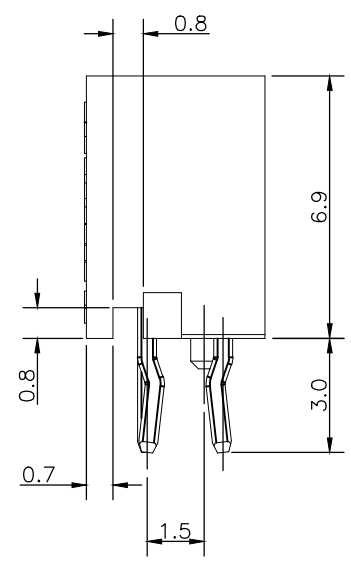
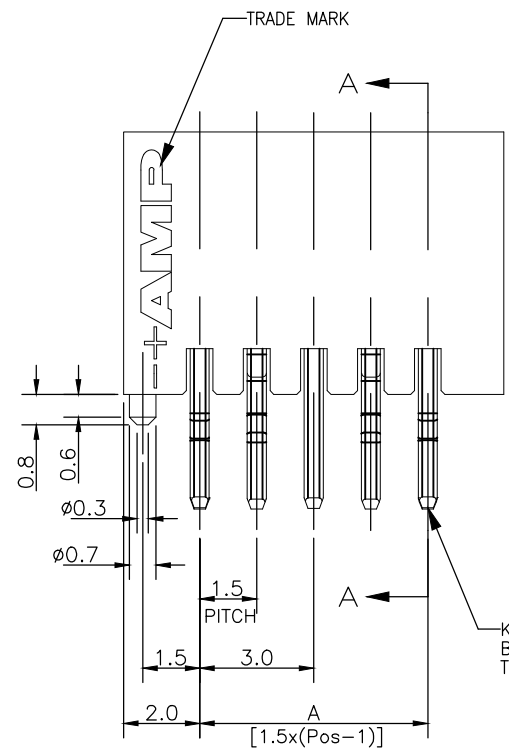
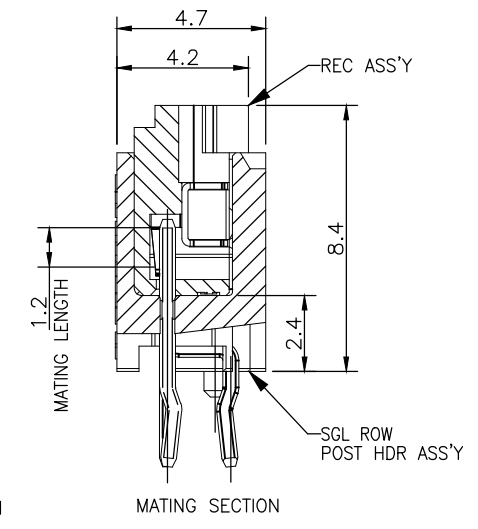
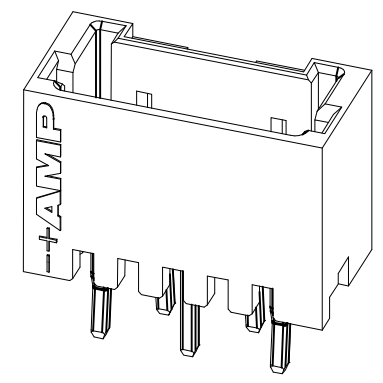
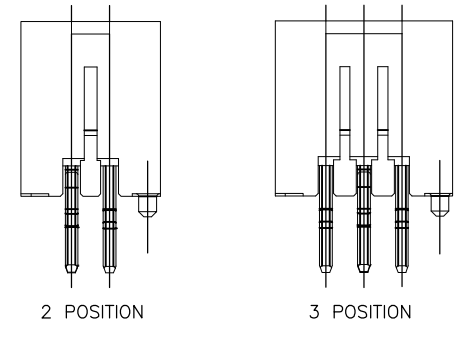
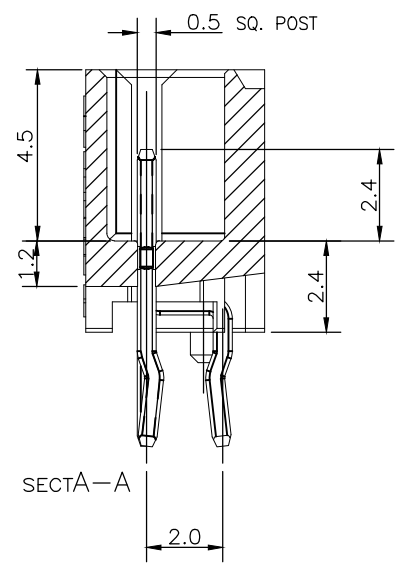
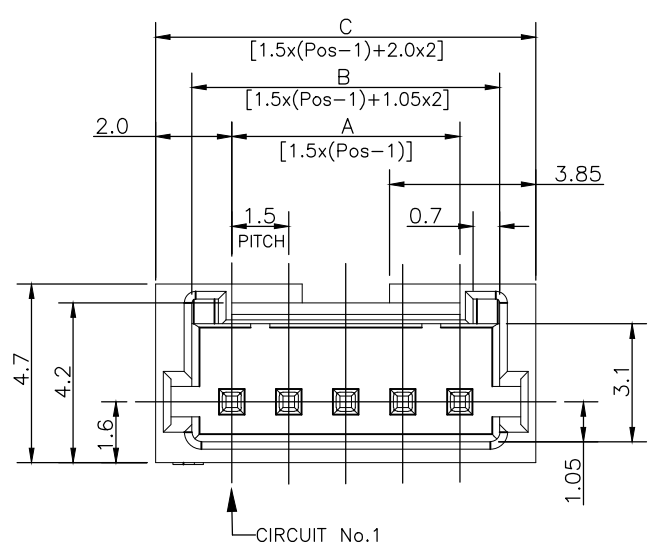
3

2

1

THIS DRAWING IS UNPUBLISHED. RELEASED FOR PUBLICATION
 © COPYRIGHT - By - ALL RIGHTS RESERVED.

REVISIONS					
P	LTR	DESCRIPTION	DATE	DWN	APVD
	B	ECR-18-017107	07NOV18	T.Q	W.H



NOTES:
 1.MATERIAL:
 HOUSING: NYLON(G.F.) UL94V-0,COLOR:GRAY,BLUE, BLACK
 POST: PRE-TIN 0.5mm SQ. BRASS WIRE


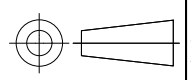
TOLERANCES UNLESS OTHERWISE SPECIFIED:
 10 > * : ±0.2
 30 > * > 10 : ±0.25
 100 > * > 30 : ±0.3
 ANGLE : ±3°

THIS DRAWING IS A CONTROLLED DOCUMENT.		DWN	S.YAO			31JAN03												
DIMENSIONS: mm		CHK	S.YAO			31JAN03												
TOLERANCES UNLESS OTHERWISE SPECIFIED:		APVD	T. SASAKI			31JAN03												
<table border="0"> <tr><td>0 PLC</td><td>± -</td></tr> <tr><td>1 PLC</td><td>± -</td></tr> <tr><td>2 PLC</td><td>± -</td></tr> <tr><td>3 PLC</td><td>± -</td></tr> <tr><td>4 PLC</td><td>± -</td></tr> <tr><td>ANGLES</td><td>± -</td></tr> </table>		0 PLC	± -	1 PLC	± -	2 PLC	± -	3 PLC	± -	4 PLC	± -	ANGLES	± -	PRODUCT SPEC	108 - 60018			NAME
0 PLC	± -																	
1 PLC	± -																	
2 PLC	± -																	
3 PLC	± -																	
4 PLC	± -																	
ANGLES	± -																	
MATERIAL		APPLICATION SPEC	114 - 5223			AMP Mini CT Connector 1.5mm Pitch Single Row Post HDR Ass'y (V) DIP Staggered Type with Boss with Kink												
SEE NOTE 1		FINISH	SEE NOTE 1			SIZE												
		WEIGHT	0.000000			CAGE CODE												
		CUSTOMER DRAWING	A3			DRAWING NO												
			000779			RESTRICTED TO												
			C-292207			SCALE												
						SHEET												
			1 of 2			REV												
						B												

THIS DRAWING IS UNPUBLISHED. RELEASED FOR PUBLICATION
 © COPYRIGHT - By - ALL RIGHTS RESERVED.

REVISIONS					
P	LTR	DESCRIPTION	DATE	DWN	APVD
-	-	SEE SHEET 1	-	-	-

0.96	32.5	30.6	28.5	20	7-292207-0	4-292207-0	2-292207-0
0.91	31.0	29.1	27.0	19	6-292207-9	3-292207-9	1-292207-9
0.87	29.5	27.6	25.5	18	6-292207-8	3-292207-8	1-292207-8
0.82	28.0	26.1	24.0	17	6-292207-7	3-292207-7	1-292207-7
0.78	26.5	24.6	22.5	16	6-292207-6	3-292207-6	1-292207-6
0.73	25.0	23.1	21.0	15	6-292207-5	3-292207-5	1-292207-5
0.69	23.5	21.6	19.5	14	6-292207-4	3-292207-4	1-292207-4
0.64	22.0	20.1	18.0	13	6-292207-3	3-292207-3	1-292207-3
0.60	20.5	18.6	16.5	12	6-292207-2	3-292207-2	1-292207-2
0.55	19.0	17.1	15.0	11	6-292207-1	3-292207-1	1-292207-1
0.51	17.5	15.6	13.5	10	6-292207-0	3-292207-0	1-292207-0
0.46	16.0	14.1	12.0	9	5-292207-9	2-292207-9	292207-9
0.42	14.5	12.6	10.5	8	5-292207-8	2-292207-8	292207-8
0.37	13.0	11.1	9.0	7	5-292207-7	2-292207-7	292207-7
0.33	11.5	9.6	7.5	6	5-292207-6	2-292207-6	292207-6
0.28	10.0	8.1	6.0	5	5-292207-5	2-292207-5	292207-5
0.24	8.5	6.6	4.5	4	5-292207-4	2-292207-4	292207-4
0.19	7.0	5.1	3.0	3	5-292207-3	2-292207-3	292207-3
0.16	5.5	3.6	1.5	2	5-292207-2	2-292207-2	292207-2
WEIGHT (g)	C	B	A	Pos.	BLUE	BLACK	GRAY
	DIMENSIONS				P/N		

THIS DRAWING IS A CONTROLLED DOCUMENT.		DWN S.YAO 31JAN03	 TE Connectivity		
DIMENSIONS: mm		CHK S.YAO 31JAN03			
TOLERANCES UNLESS OTHERWISE SPECIFIED:		APVD T. SASAKI 31JAN03	NAME AMP Mini CT Connector 1.5mm Pitch Single Row Post HDR Ass'y (V) DIP Staggered Type with Boss with Kink		
		PRODUCT SPEC 108 - 60018	SIZE A3		
MATERIAL SEE NOTE 1		APPLICATION SPEC 114 - 5223	CAGE CODE 00779	DRAWING NO C-292207	RESTRICTED TO -
FINISH SEE NOTE 1		WEIGHT 0.000000	SCALE - SHEET 2 OF 2 REV B		
		CUSTOMER DRAWING			

Mouser Electronics

Authorized Distributor

Click to View Pricing, Inventory, Delivery & Lifecycle Information:

[TE Connectivity:](#)

[292207-7](#)