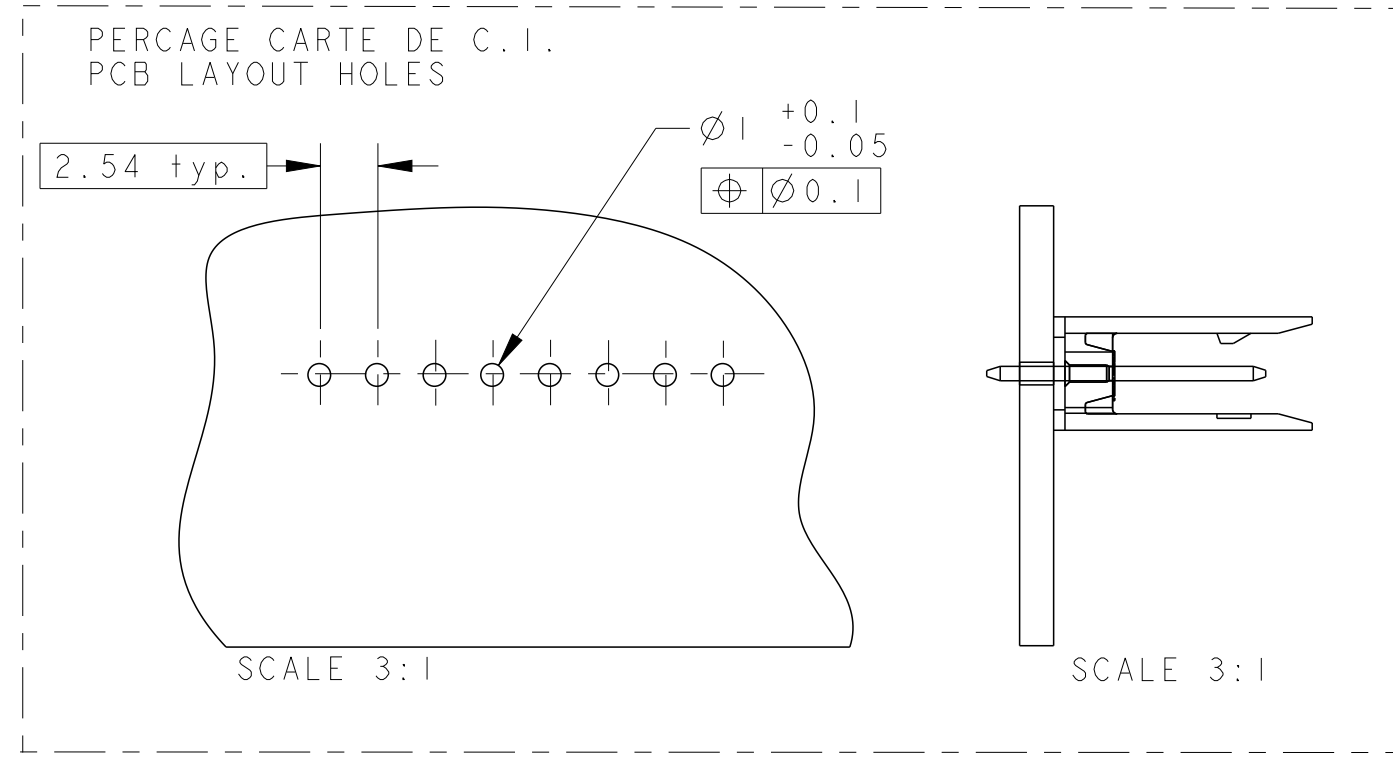
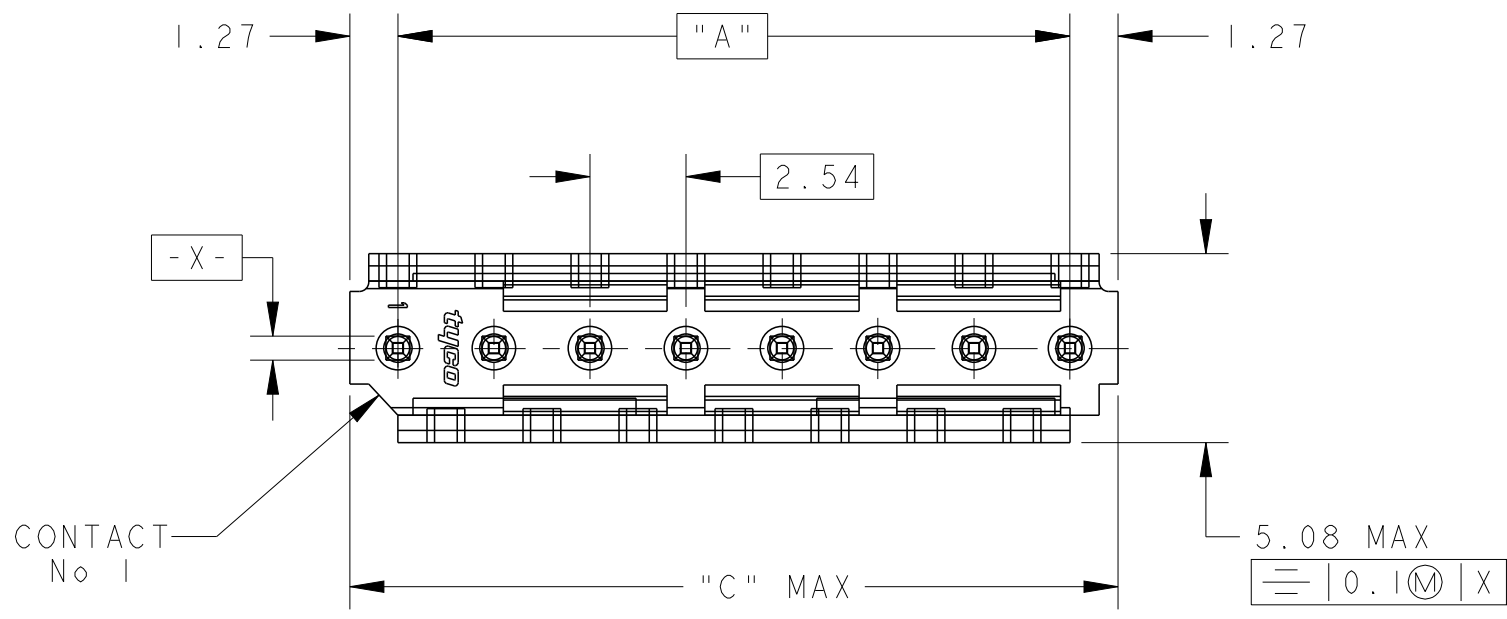
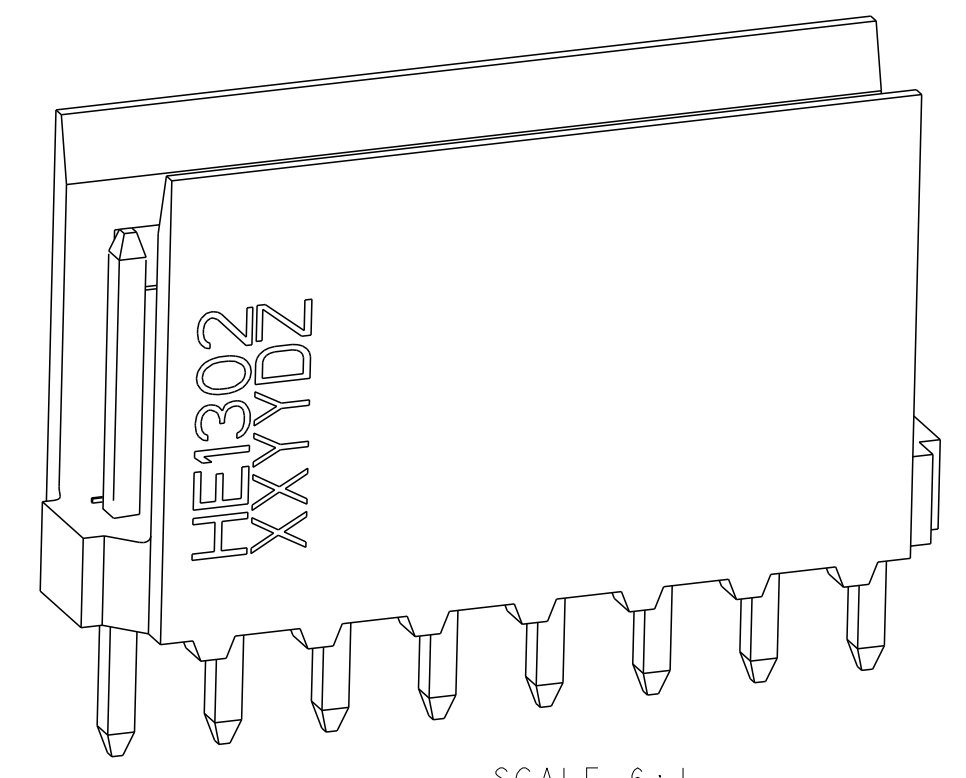
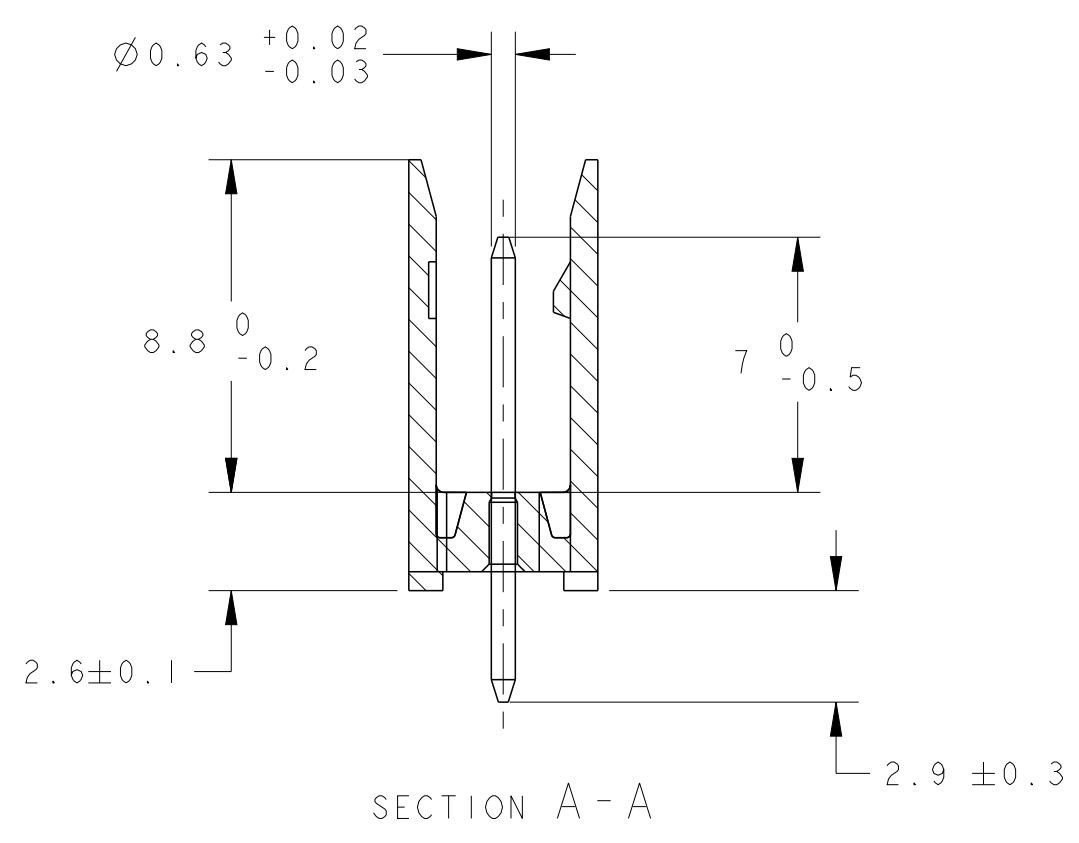
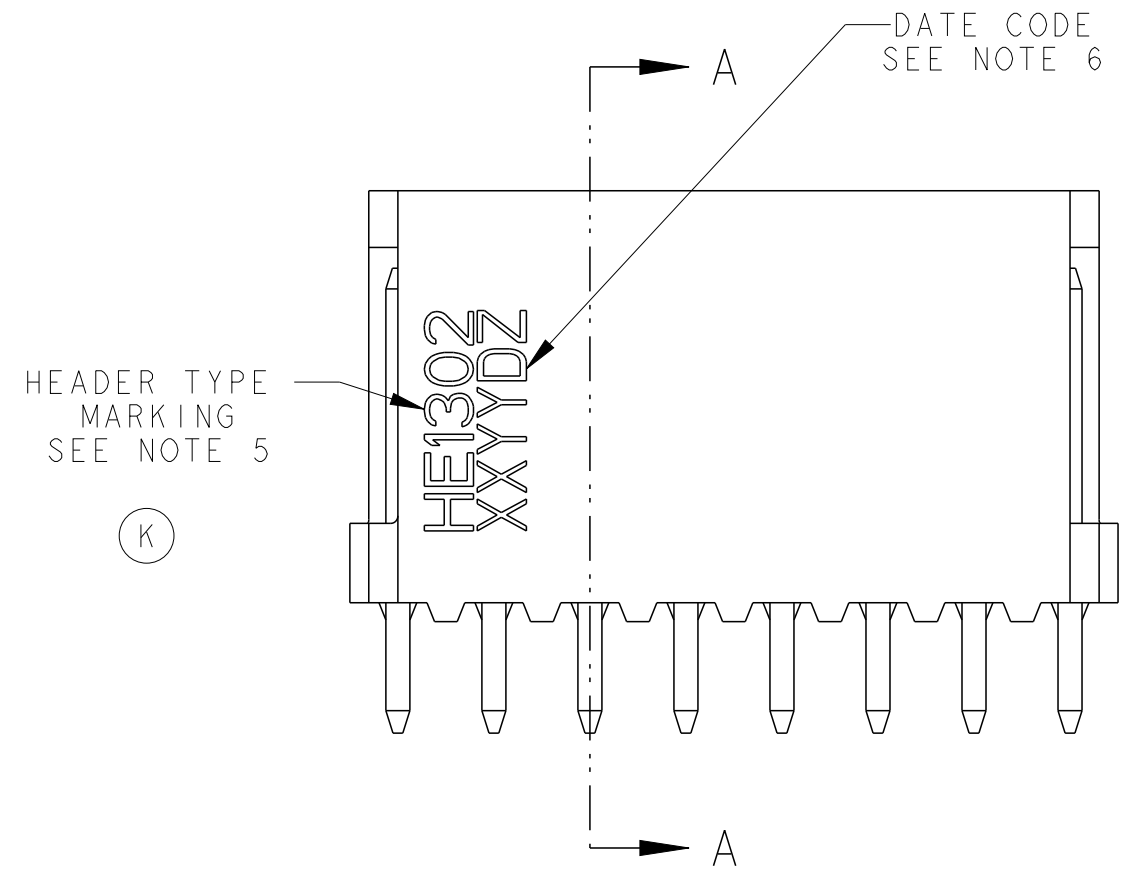


THIS DRAWING IS UNPUBLISHED.
 DIFFUSION RESTREINTE
 © COPYRIGHT 20 BY -
 RELEASED FOR PUBLICATION
 LIBRE A LA DIFFUSION
 20
 ALL RIGHTS RESERVED.
 TOUS DROITS RESERVES

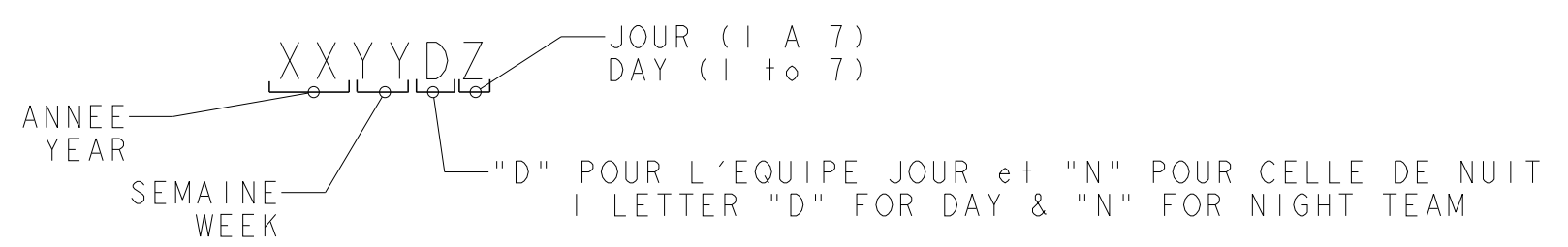
REVISIONS					
P	LTR	DESCRIPTION MODIFICATIONS	DATE	DWN. DESS.	APVD. APP.
	K2	PLATING NOTE CORRECTED	02AUG2016	KJK	PS



	45.72	43.18	18	1-281696-8 *
7 OBSOLETE	43.18	40.64	17	1-281696-7
	38.10	35.56	15	1-281696-5 *
	30.48	27.94	12	1-281696-2 *
	25.40	22.86	10	1-281696-0 *
	20.32	17.78	8	0-281696-8 *
	17.78	15.24	7	0-281696-7
	15.24	12.70	6	0-281696-6 *
	12.70	10.16	5	0-281696-5 *
	10.16	7.62	4	0-281696-4 *
	7.62	5.08	3	0-281696-3 *
	5.08	2.54	2	0-281696-2
	C	A	Nb DE POS	PART NUMBER
	DIMENSIONS			

- NOTES:
- THESE HEADERS ARE DESIGNED TO BE MATED WITH "HE1302" RECEPTACLES SINGLE ROW
 - THE PART NUMBERS FOLLOWED BY * ARE COVERED BY INTERNATIONAL STANDARD IEC 603-8
 - CONTACTS PLATING: MATING AREA, MIN. 0.4µm SELECTIVE GOLD OVER MIN. 1.27µm NICKEL
SOLDER AREA, MIN. 2.5µm TIN OVER MIN. 1.27µm NICKEL
 - PLASTIC MATERIAL: HIGH TEMPERATURE THERMOPLASTIC, UL-94V-0, BLUE COLOR
CONTACT MATERIAL: PHOSPHOR BRONZE
 - TYPE MARKING (HE1302) WITH BLACK INK
 - DATE CODE MARKING WITH BLACK INK

7 OBSOLETE PARTS: OBSOLETE CIS STREAMLINING PER D.RENAUD/D.SINISI



THIS DRAWING IS A CONTROLLED DOCUMENT.
 CE PLAN EST UN DOCUMENT CONTROLE PAR AMP INCORPORATED.
 IL EST SUSCEPTIBLE D'ETRE REVISE. CONTACTER LE SERVICE
 TECHNIQUE D'AMP DE FRANCE POUR OBTENIR LA DERNIERE REVISION.

DIMENSIONS: mm

TOLERANCES UNLESS OTHERWISE SPECIFIED: (SUIV NB DE DECIMALES)
 0 PLC/DEC: ±
 1 PLC/DEC: ±0.3
 2 PLC/DEC: ±
 3 PLC/DEC: ±
 4 PLC/DEC: ±
 ANGLES ±5°

MATERIAL/MATIERE SEE/VOIR NOTE 4

FINISH/FINITION SEE/VOIR NOTE 3

DWN/DESSINE 22NOV2000
 C. COMBEDOUZON
 CHK/VERIFIE 22NOV2000
 T. CORRIOL
 APVD/APPROUVE 22NOV2000
 Y. PETRONIN

PRODUCT SPEC 108-15053

APPLICATION SPEC

WEIGHT MASSE APPROX. -

CUSTOMER DRAWING /PLAN CLIENT

UNIQUEMENT POUR REFERENCE

SCALE ECHELLE 5:1

SHEET FEUILLE OF DE 1

REV K2

STE TE Connectivity

NAME TITRE HEADERS HE13, SINGLE ROW, STRAIGHT

SIZE FORMAT A2

CAGE CODE 0779

DRAWING NO No PLAN C-281696

RESTRICTED TO RESERVE A

Mouser Electronics

Authorized Distributor

Click to View Pricing, Inventory, Delivery & Lifecycle Information:

[TE Connectivity:](#)

[281696-4](#)