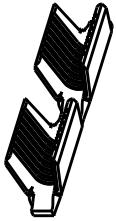
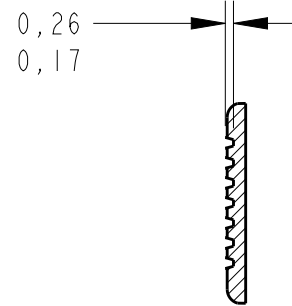
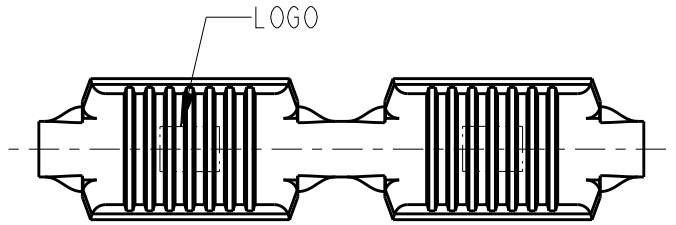


REVISIONS

P	LTR	DESCRIPTION	DATE	DWN	APVD
	T4	REDRAWN AND REV. BY ECO16-005110	12JULY2016	HC	WLS
	T5	REVISED BY ECO 16-010925	25JULY2016	HC	WLS

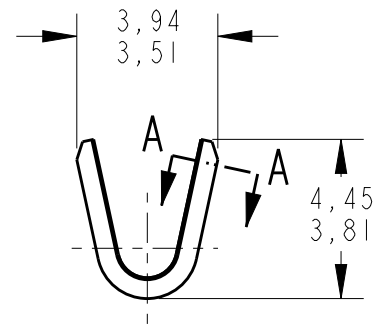
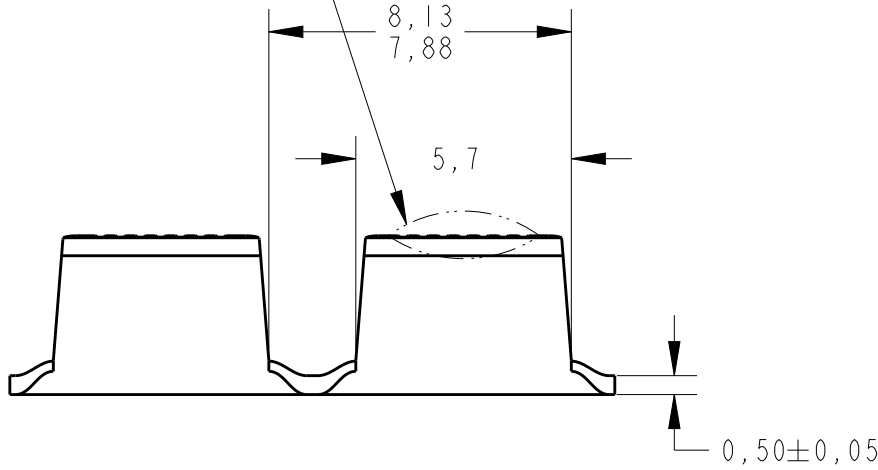


SCALE 2:1



SECTION A-A

SMALL DISTORTION PERMITTED



- ① - NOT FOR USE WITH ALUMINUM MAGNET WIRE, USE WITH COPPER MAGNET WIRE ONLY.
- ② - PACKAGING 20.000 PCS/REEL WITH PAPER INTERLEAVE - 3 REELS/BOX.

WIRE RANGE
1500-5000 CMA

—	BRASS	1-280002-1	②	①
TIN PLATED	BRASS	280002-2		
—	BRASS	280002-1	①	
FINISH	MATERIAL	PART NUMBER		

RELEASED FOR PUBLICATION

ALL RIGHTS RESERVED.

THIS DRAWING IS UNPUBLISHED.

© COPYRIGHT copyright_dBTe

DIMENSIONS: mm		DWN H.C. CANTERI 21 JAN 2015	MATERIAL -		FINISH -
TOLERANCES UNLESS OTHERWISE SPECIFIED:		CHK W.L. STEFANI 21 JAN 2015	TE Connectivity		
0 PLC ±-		PRODUCT SPEC -			
1 PLC ±0,4		APVD -	SIZE A4	CAGE CODE -	DRAWING NO C-280002
2 PLC ±-		APPLICATION SPEC -	RESTRICTED TO -		
3 PLC ±-		WEIGHT -	SCALE 5:1		
4 PLC ±-			SHEET 1 OF 1		REV T5
ANGLES ±-			CUSTOMER DRAWING		

Mouser Electronics

Authorized Distributor

Click to View Pricing, Inventory, Delivery & Lifecycle Information:

[TE Connectivity:](#)

[280002-2](#)