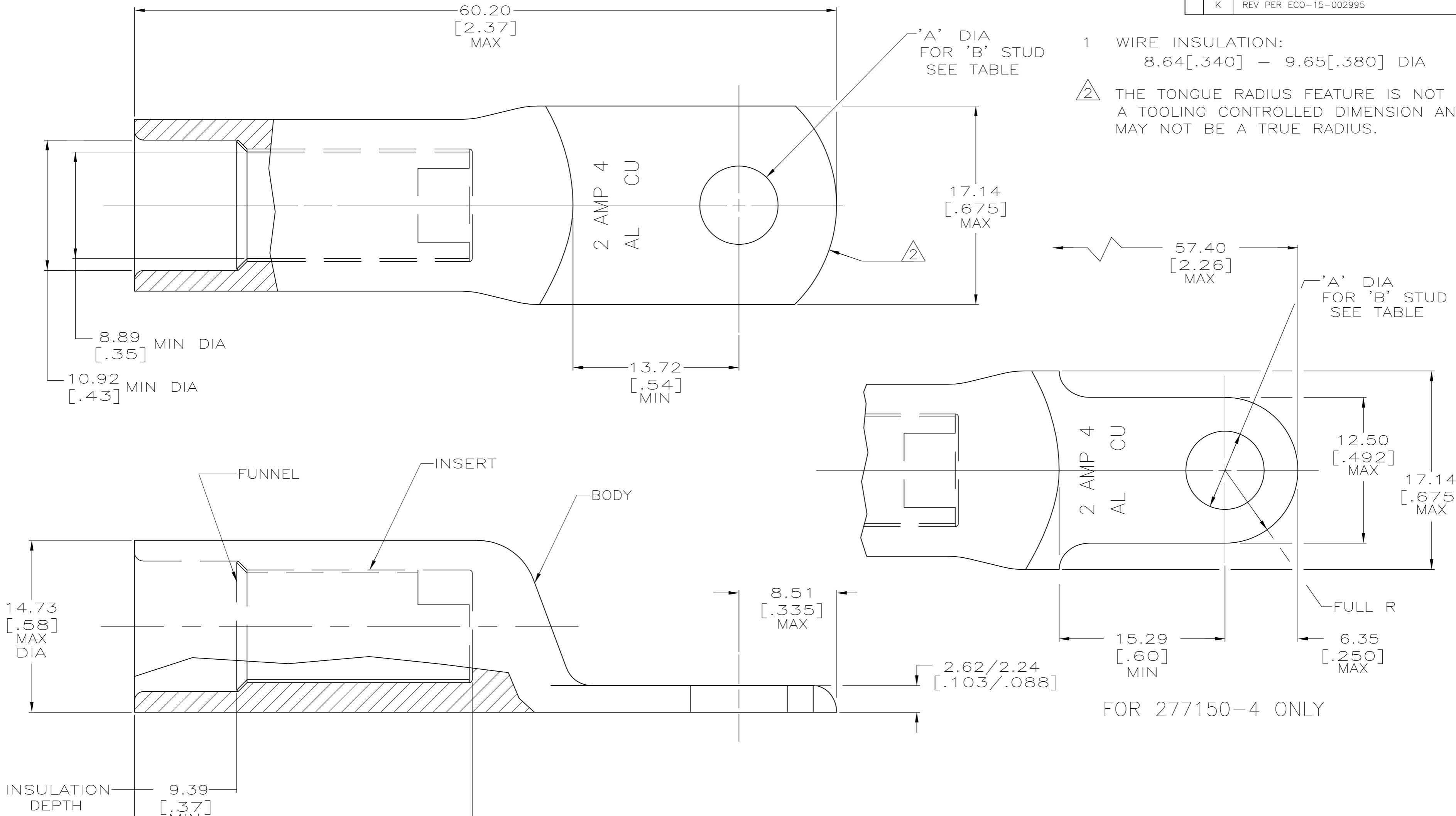


THIS DRAWING IS UNPUBLISHED. RELEASED FOR PUBLICATION  
 © COPYRIGHT - By - ALL RIGHTS RESERVED.

LOC		DIST		REVISIONS			
P	LTR	DESCRIPTION	DATE	DWN	APVD		
	K	REV PER ECO-15-002995	11MAR15	KG	PD		



- 1 WIRE INSULATION: 8.64[.340] - 9.65[.380] DIA
- △ THE TONGUE RADIUS FEATURE IS NOT A TOOLING CONTROLLED DIMENSION AND MAY NOT BE A TRUE RADIUS.

WEIGHT	'A'	'B'	MATERIAL & FINISH	PART NO.
34.0 ±3GRAMS	6.73±0.13 [.265±.005]	1/4	BODY: COPPER ASTM-B187 ANNEALED TIN PL MIL-T-10727 0.00381[.000150] MIN THK INSERT & FUNNEL: BRASS ASTM B36 NICKEL PL SAE AMS QQ-N-290A, DATED JULY 2000, 0.00254 [.000100] MIN THK	277150-4
35.5 ±3GRAMS	9.91±0.13 [.390±.005]	3/8		277150-3
36.0 ±3GRAMS	8.33±0.13 [.328±.005]	5/16		277150-2
	6.73±0.13 [.265±.005]	1/4		277150-1

THIS DRAWING IS A CONTROLLED DOCUMENT.

DWN DK SCHRUM 6/23/89	 TE Connectivity	WIRE TERMINAL, RING TONGUE, SEALED COPALUM, 35.0mm [2] ALUMINUM 22.0mm [4] COPPER		
CHK MS FEHER 10/16/90				
APVD AJ KAUFMAN 10/23/90				
PRODUCT SPEC 108-11011				
APPLICATION SPEC 114-2134	SIZE A2	CAGE CODE 00779	DRAWING NO C-277150	RESTRICTED TO -
MATERIAL SEE TABLE	WEIGHT SEE TABLE	CUSTOMER DRAWING		SCALE 4:1

# Mouser Electronics

Authorized Distributor

Click to View Pricing, Inventory, Delivery & Lifecycle Information:

[TE Connectivity:](#)

[277150-1](#)