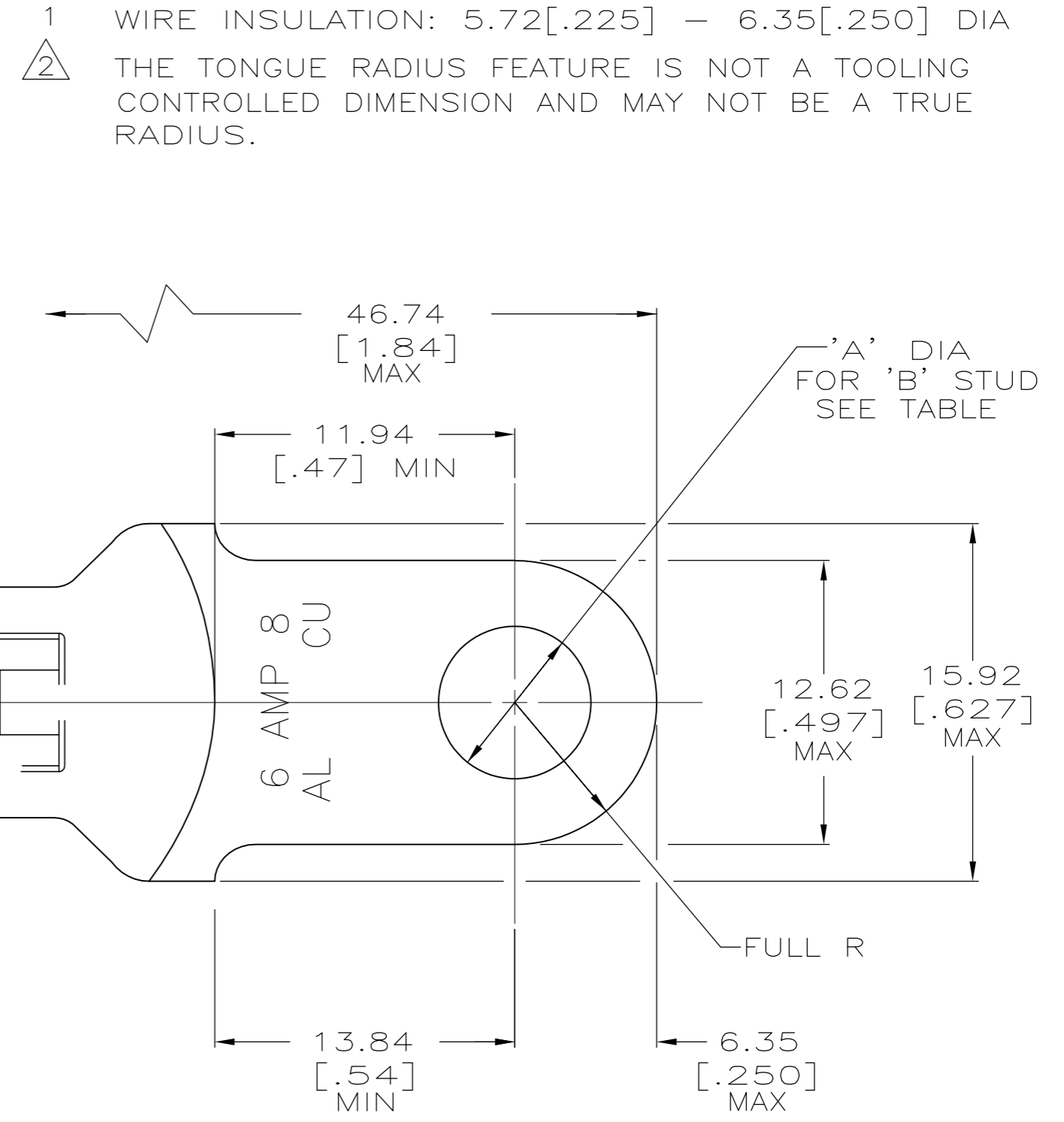
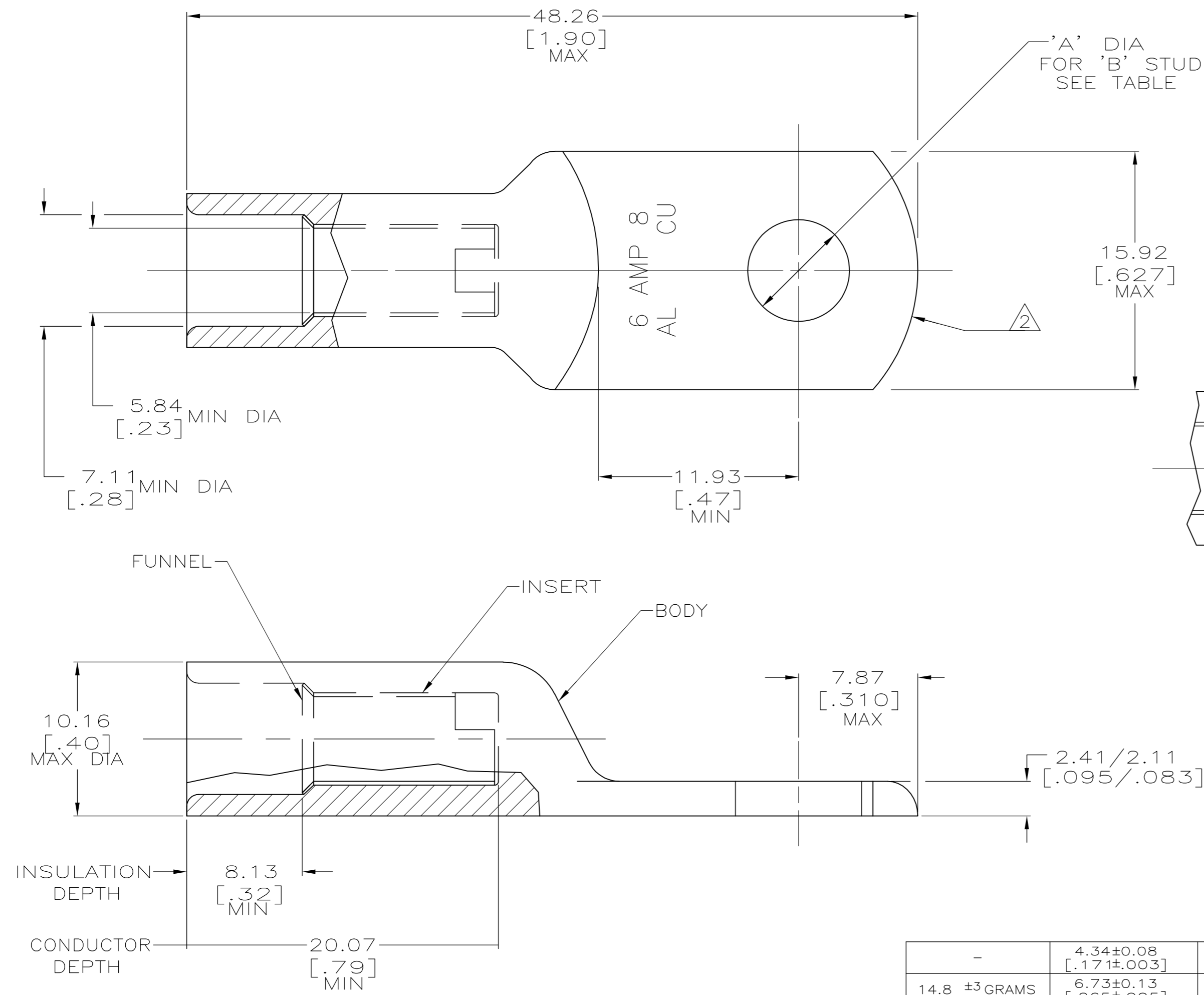


THIS DRAWING IS UNPUBLISHED. RELEASED FOR PUBLICATION
 © COPYRIGHT - By - ALL RIGHTS RESERVED.

REVISIONS				DATE	DWN	APVD
P	LTR	DESCRIPTION				
P		REV PER ECO-15-002995	11MAR15	KG	PD	



FOR 277148-6, -7, & -8 ONLY

WEIGHT	'A'	'B'	MATERIAL & FINISH	PART NO.
-	4.34±0.08 [.171±.003]	#8	BODY: COPPER ASTM-B187 ANNEALED TIN PL MIL-T-10727 0.00457[.000150] MIN THK	277148-8
14.8 ±3 GRAMS	6.73±0.13 [.265±.005]	1/4		277148-7
15.2 ±3 GRAMS	5.00±0.08 [.197±.003]	#10	INSERT & FUNNEL: BRASS ASTM B36 NICKEL PL SAE AMS QQ-N-290A, DATED JULY 2000, 0.00254 [.000100] MIN THK	277148-6
17.0 ±3 GRAMS	4.34±0.08 [.171±.003]	#8		277148-5
15.3 ±3 GRAMS	9.91±0.13 [.390±.005]	3/8		277148-4
16.2 ±3 GRAMS	8.33±0.13 [.328±.005]	5/16		277148-3
-	6.73±0.13 [.265±.005]	1/4		277148-2
16.8 ±3 GRAMS	5.00±0.08 [.197±.003]	#10		277148-1

THIS DRAWING IS A CONTROLLED DOCUMENT.

DWN	DK SCHRUM	6/23/89
CHK	MS FEHER	10/16/90
APVD	AJ KAUFMAN	10/23/90

TE Connectivity

WIRE TERMINAL, RING TONGUE, SEALED COPALUM
14.6mm² [6] ALUMINUM
8.8mm² [8] COPPER

108-11011
114-2134

SCALE 4:1 SHEET 1 of 1 REV P

Mouser Electronics

Authorized Distributor

Click to View Pricing, Inventory, Delivery & Lifecycle Information:

[TE Connectivity:](#)

[277148-7](#)