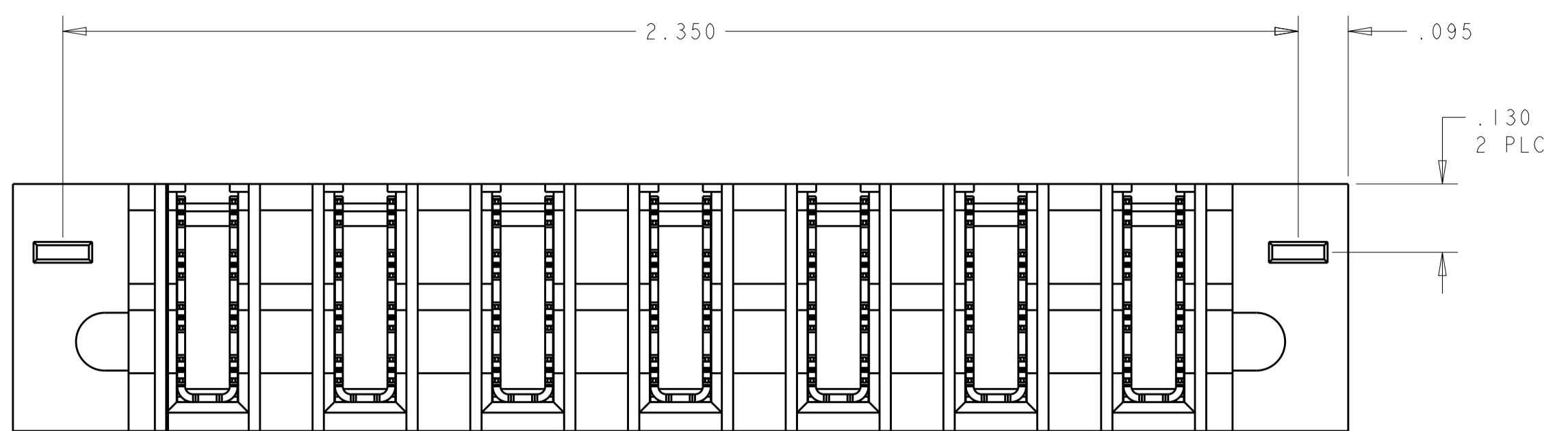
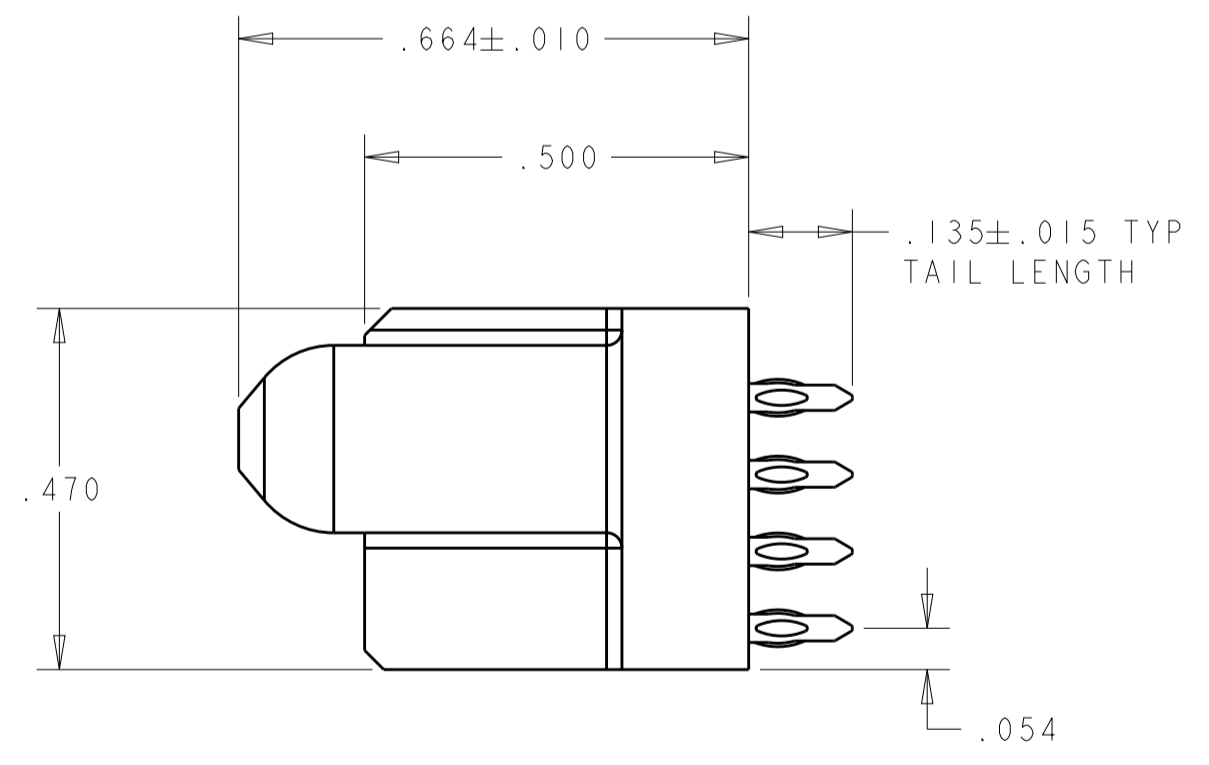
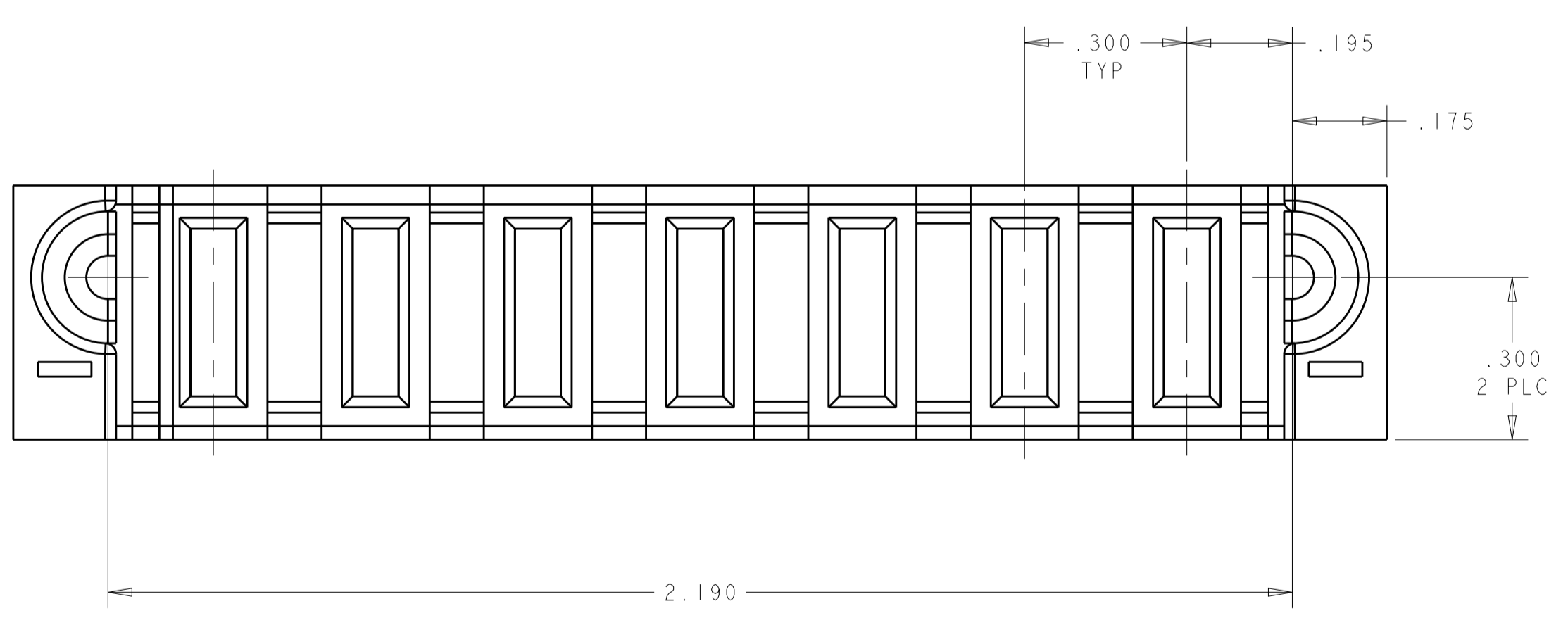
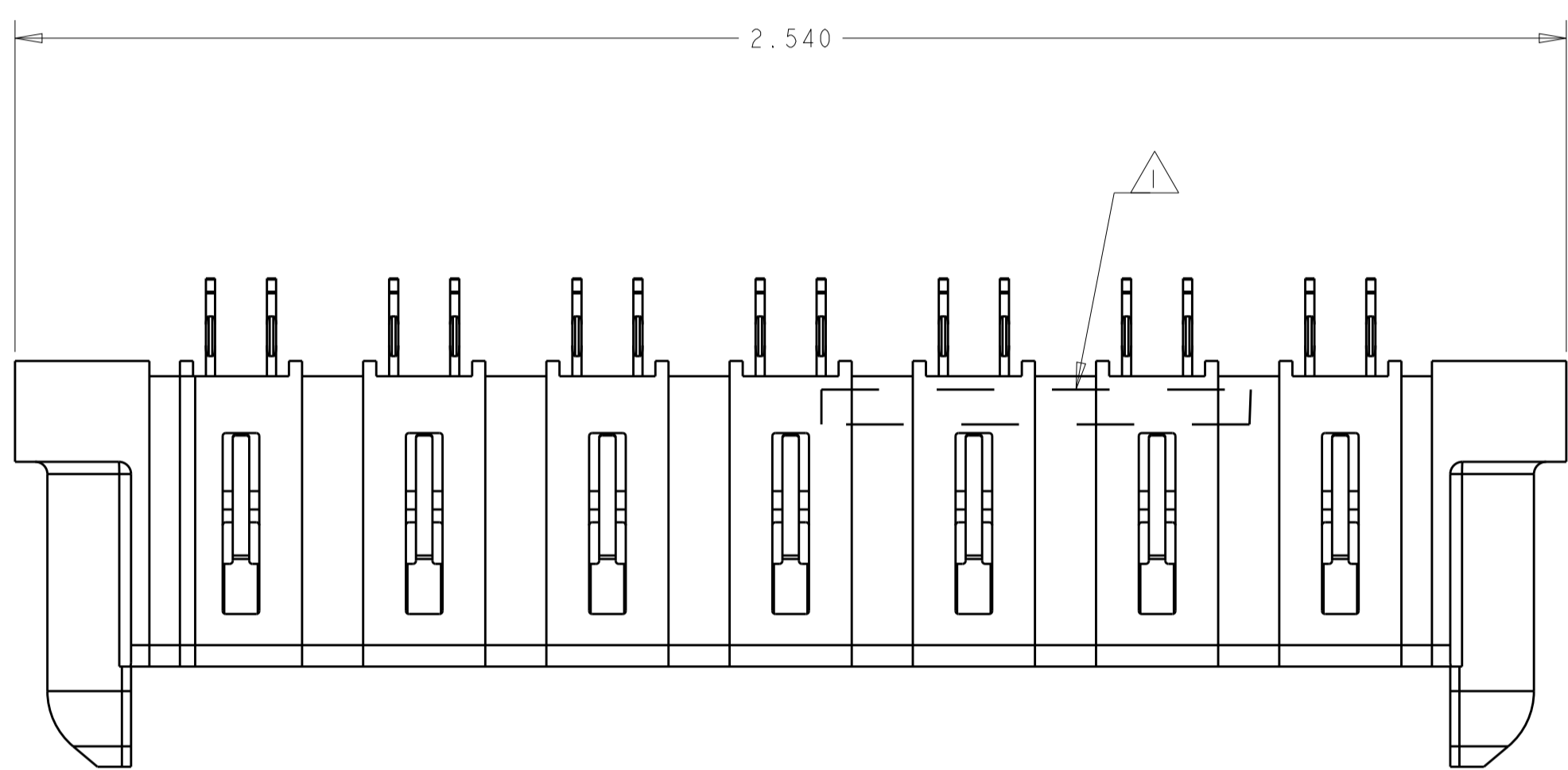


LOC		DIST		REVISIONS			
P	LTN	DESCRIPTION	DATE	DWN	APVD		
A		RELEASED	6-2-17	CT	DH		



- 1 "TE", PART NUMBER AND DATE CODE TO BE MARKED IN AREA SHOWN
- 2 MATERIAL: HOUSING - GLASS FILLED HIGH TEMP THERMO PLASTIC, UL94 V-0, BLACK.  
POWER CONTACT - HIGH CONDUCTIVITY COPPER ALLOY
- 3 CONTACT PLATING: POWER CONTACTS - .000050 MIN Ni UNDER ALL  
.000050 MIN Au ON CONTACT AREA  
.000005 MIN Au AT PCB INTERFACE
- 4 MECHANICAL CONNECTOR KEEP OUT ZONE
- 5 DATUM AND BASIC DIMENSIONS ESTABLISHED BY CUSTOMER
- 6 PCB - ALL HOLE DIAMETERS ARE FINISHED HOLE SIZES
- 7 PCB - 0.0453 ± .0010 DRILLED HOLES PLATED WITH .0003 MIN Sn  
OVER .001 TO .003 Cu PLATING TO ACHIEVE A .040 ± .030 HOLE

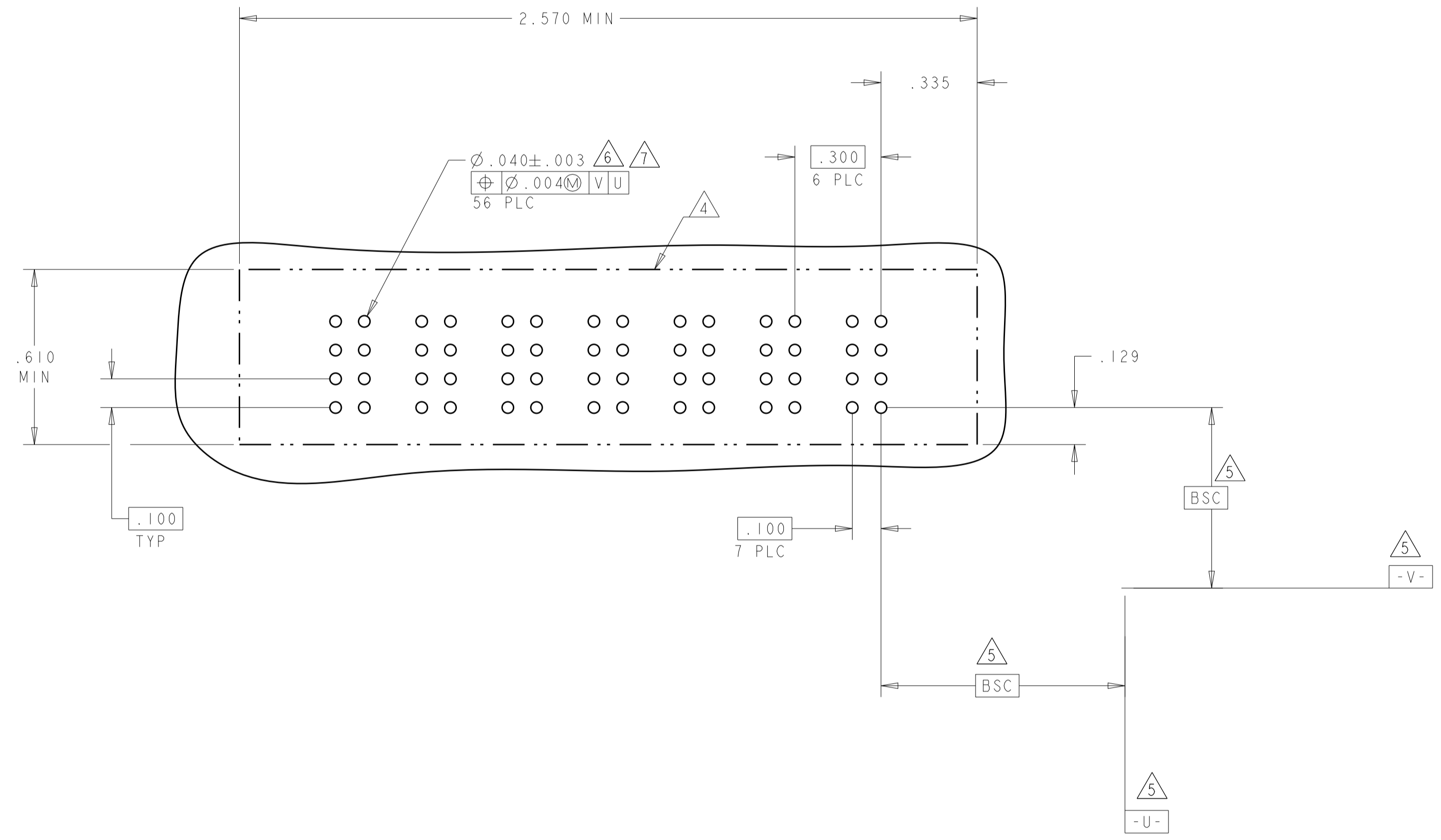



7ACP	2314581-1
DESCRIPTION	PART NUMBER

THIS DRAWING IS A CONTROLLED DOCUMENT.		DWN C.C. THOMAS 1-10-16	TE Connectivity
DIMENSIONS: INCHES		CHK D. HOANG 1-10-17	
TOLERANCES UNLESS OTHERWISE SPECIFIED:		APVD D. HOANG 1-10-17	NAME
0 PLC ± .01		PRODUCT SPEC	VER RECEP ASSEMBLY
1 PLC ± .01		108-2292	SHROT GUIDES, PRESS FIT
2 PLC ± .005		APPLICATION SPEC	MULTI-BEAM XLE
3 PLC ± .0020		SIZE	CAGE CODE
4 PLC ± .0020		114-13038	DRAWING NO
ANGLES		RESTRICTED TO	
FINISH		WEIGHT	
MATERIAL		114-13038	A100779C=2314581
CUSTOMER DRAWING		SCALE	2:1
		SHEET	1 OF 2
		REV	A

LOC		DIST		REVISIONS				
P	LTN	DESCRIPTION	DATE	DMN	APVD			
-		SEE SHEET 1	-	-	-			

PART NUMBER	ROWS	POWER						
		P7	P6	P5	P4	P3	P2	P1
2314581-1	D C B A	GS	GS	GS	GS	GS	GS	GS
7ACP								



THIS DRAWING IS A CONTROLLED DOCUMENT.		DMN C.C. THOMAS 1-10-16	 TE Connectivity												
DIMENSIONS: INCHES		CHK D. HOANG 1-10-17													
TOLERANCES UNLESS OTHERWISE SPECIFIED:		APVD D. HOANG 1-10-17	NAME VER RECEP ASSEMBLY SHROT GUIDES, PRESS FIT MULTI-BEAM XLE												
<table border="1"> <tr> <td>0 PLC</td> <td>±</td> </tr> <tr> <td>1 PLC</td> <td>±.01</td> </tr> <tr> <td>2 PLC</td> <td>±.01</td> </tr> <tr> <td>3 PLC</td> <td>±.005</td> </tr> <tr> <td>4 PLC</td> <td>±.0020</td> </tr> <tr> <td>ANGLES</td> <td>±.2°</td> </tr> </table>		0 PLC	±	1 PLC	±.01	2 PLC	±.01	3 PLC	±.005	4 PLC	±.0020	ANGLES	±.2°	PRODUCT SPEC 108-2292	RESTRICTED TO
0 PLC	±														
1 PLC	±.01														
2 PLC	±.01														
3 PLC	±.005														
4 PLC	±.0020														
ANGLES	±.2°														
MATERIAL		APPLICATION SPEC 114-13038	SIZE A100779												
FINISH		WEIGHT	DRAWING NO C=2314581												
Customer Drawing		SCALE 2:1	SHEET 2 OF 2												
		REV A													

# Mouser Electronics

Authorized Distributor

Click to View Pricing, Inventory, Delivery & Lifecycle Information:

[TE Connectivity:](#)

[2314581-1](#)