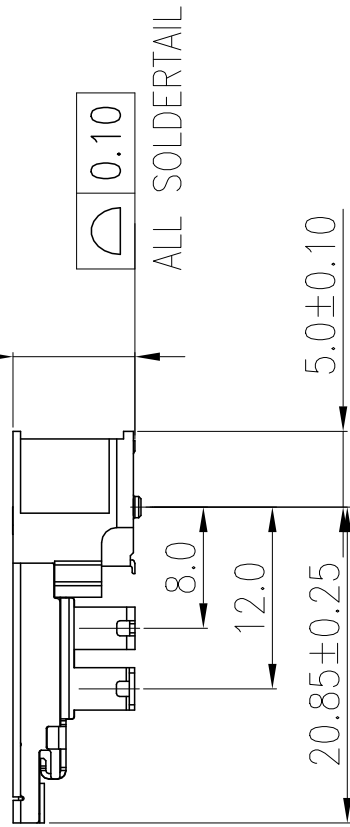
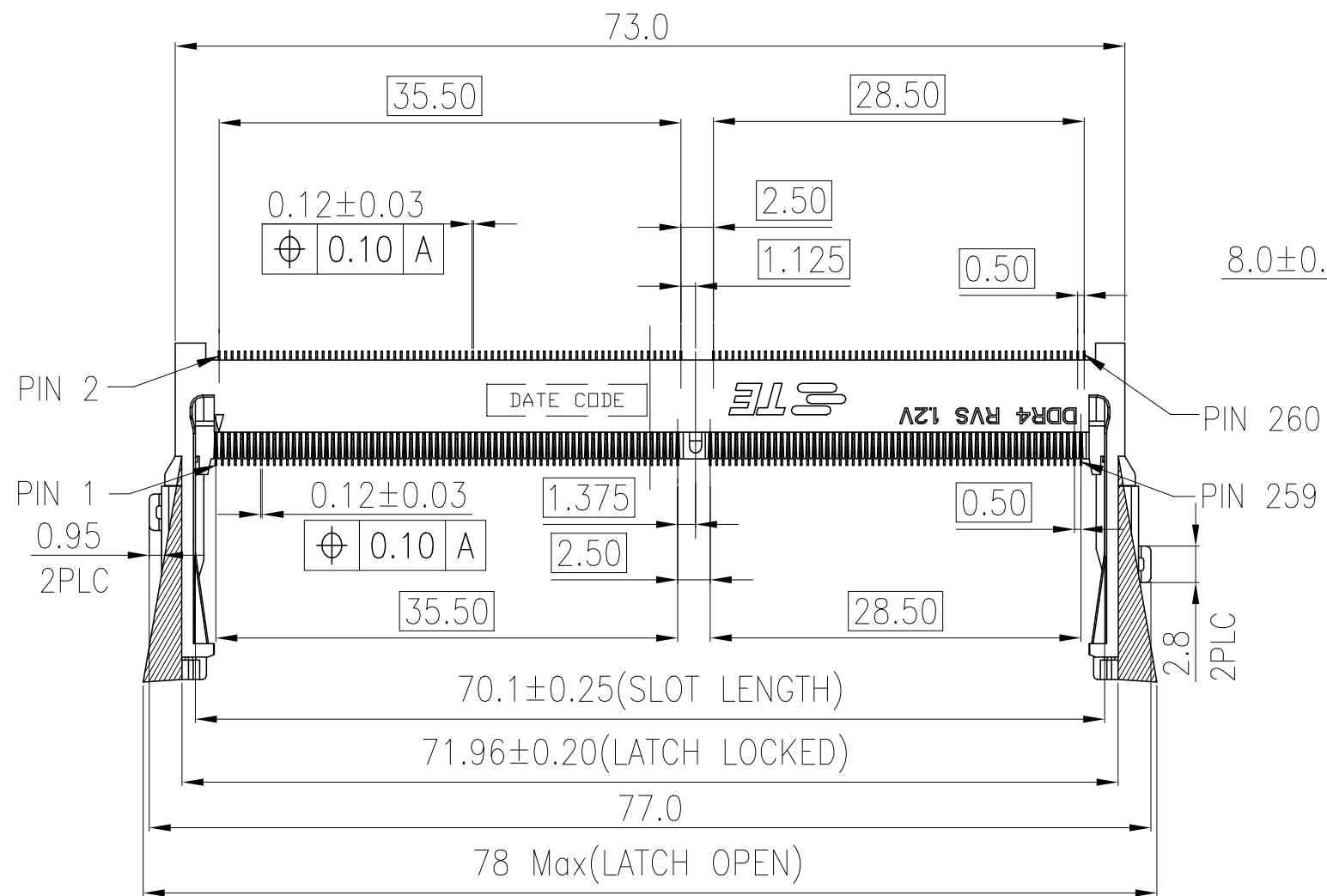
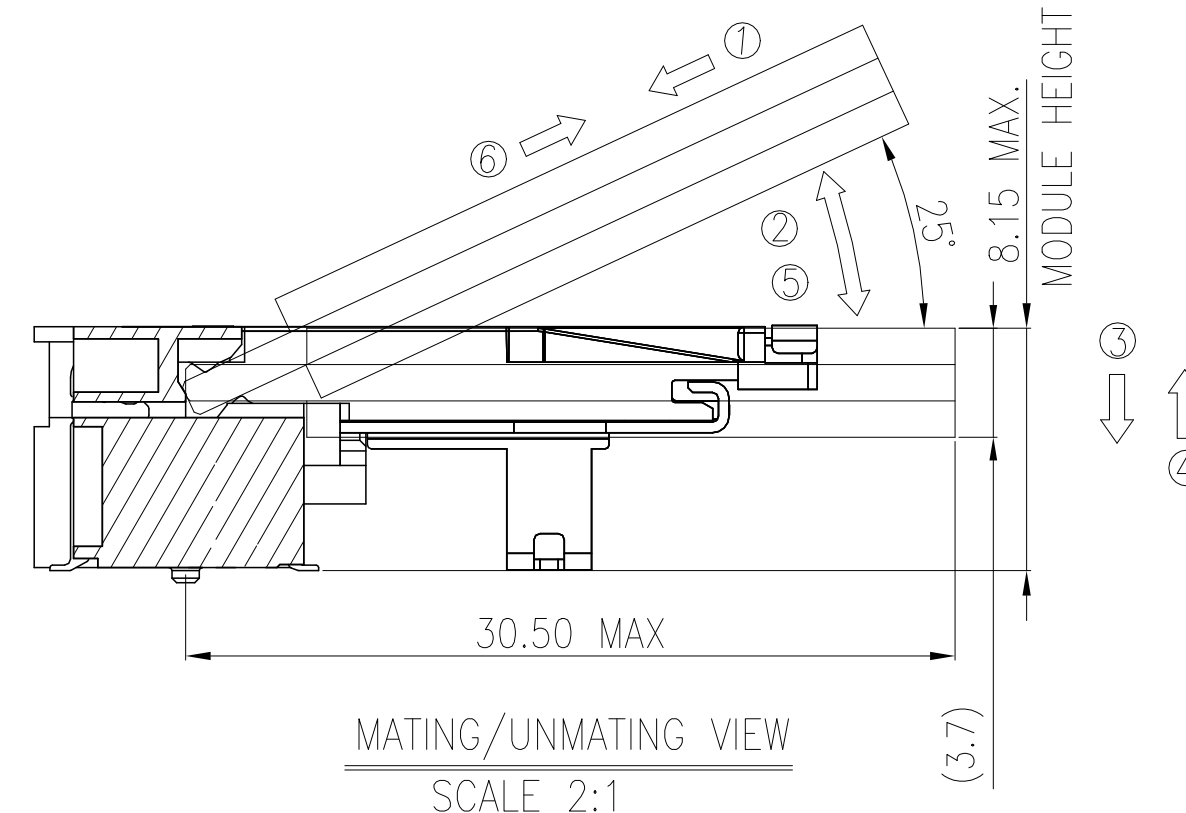
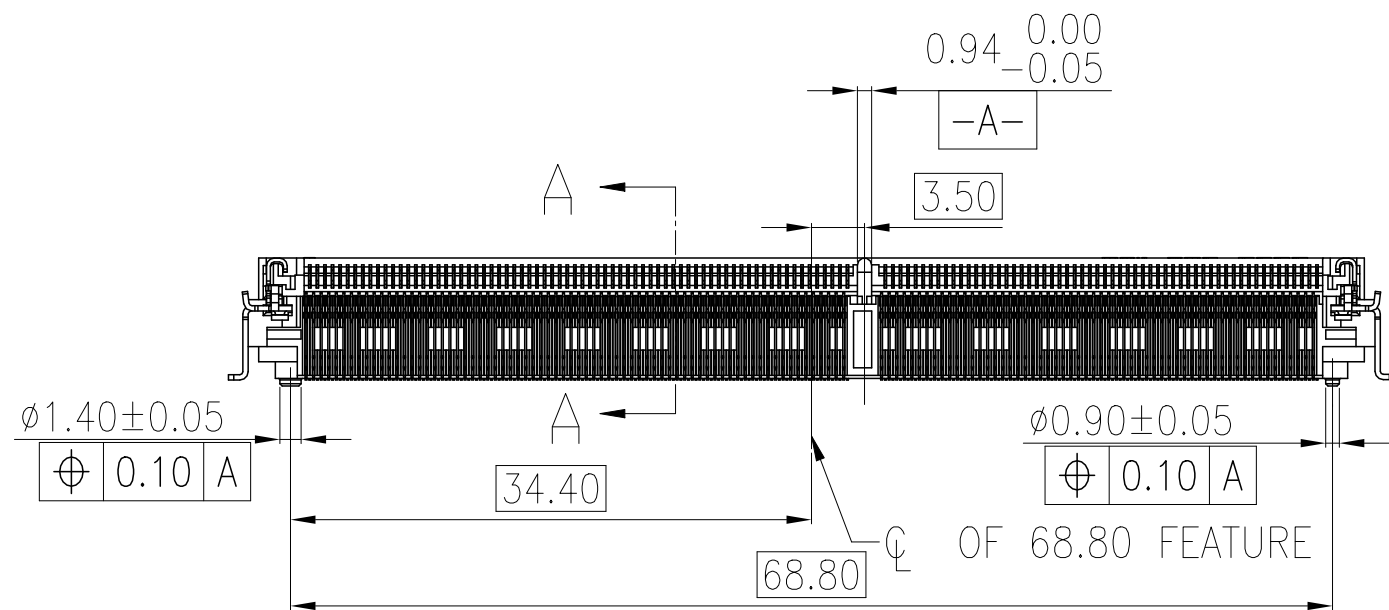


REVISIONS					
P	LTR	DESCRIPTION	DATE	DWN	APVD
4		CHANGE DIM 0.80 TO 0.74 +/-0.08	16NOV2020	SS	DZ

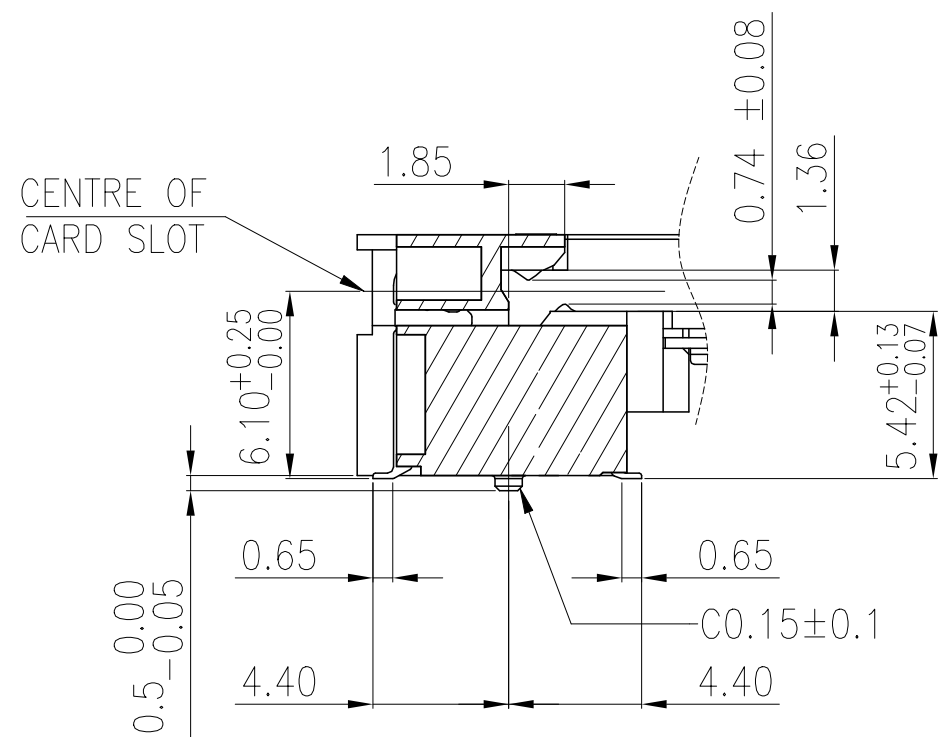


NOTES:

- MATERIAL:
 - HOUSING: HIGH TEMPERATURE THERMO PLASTIC,UL94V-0,COLOR:BLACK.
 - CONTACT: COPPER ALLOY.
 - SOLDER PEG AND LATCH:STAINLESS STEEL.
- FINISH:
 - SOLDER PEG: GOLD FLASH ON 50u" MIN NICKEL UNDERPLATED ALL OVER.
 - CONTACT SOLDER AREA: GOLD FLASH ON SOLDER TAIL.
 - CONTACT AREA: GOLD FLASH ON 50u" MIN NICKEL UNDERPLATED ALL OVER.
 - CONTACT AREA: 5u" ON 50u" MIN NICKEL UNDERPLATED ALL OVER.
 - CONTACT AREA: 10u" ON 50u" MIN NICKEL UNDERPLATED ALL OVER.
 - CONTACT AREA: 15u" ON 50u" MIN NICKEL UNDERPLATED ALL OVER.
 - CONTACT AREA: 30u" ON 50u" MIN NICKEL UNDERPLATED ALL OVER.
- COPLANARITY: 0.10 MAX. (BEFORE SOLDERING)



MATING: ① INSERTING(30°) → ② ROTATING → ③ FIXED
 UNMATING: ④ UNFIXED → ⑤ ROTATING → ⑥ WITHDRAWING

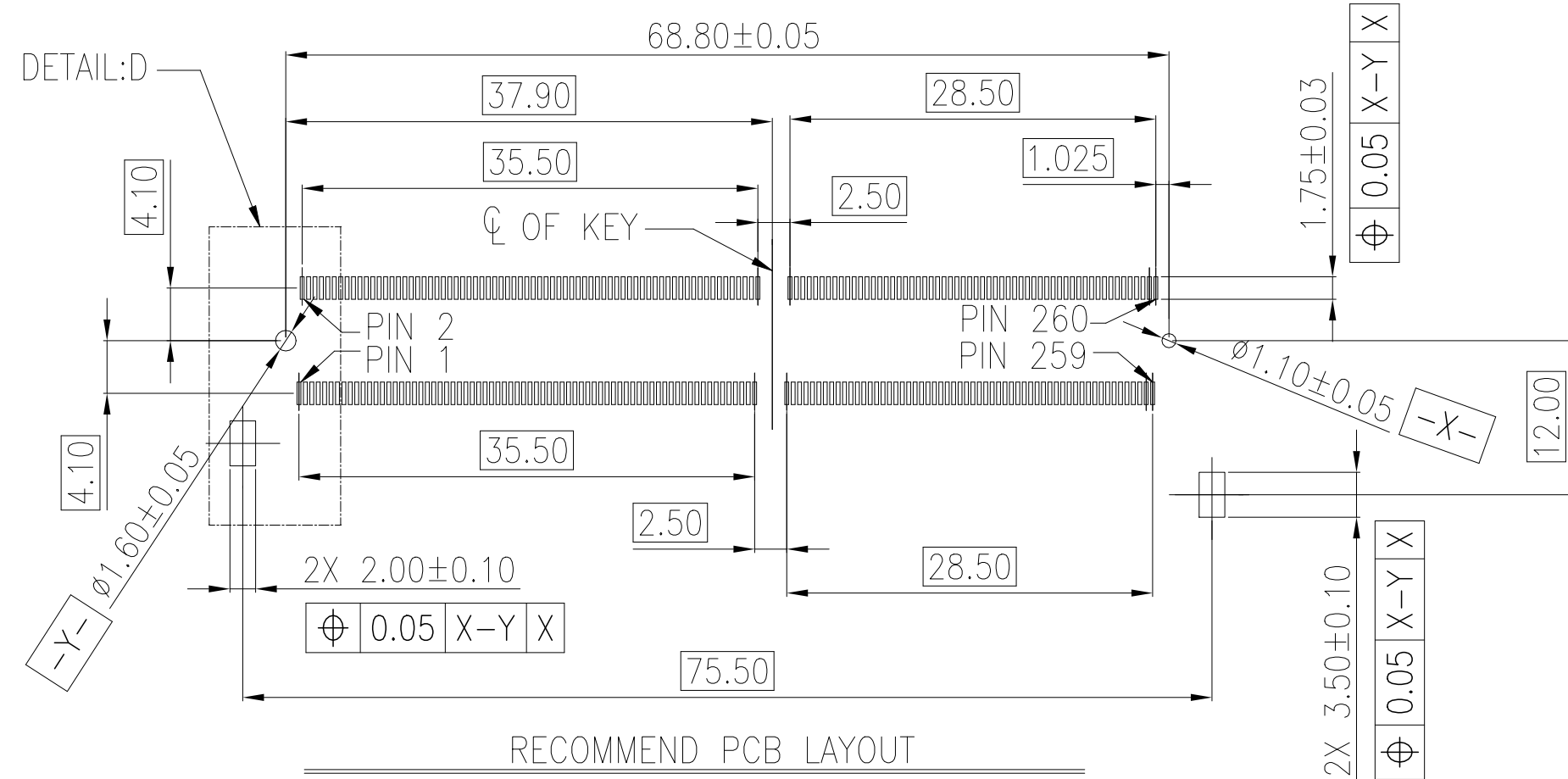
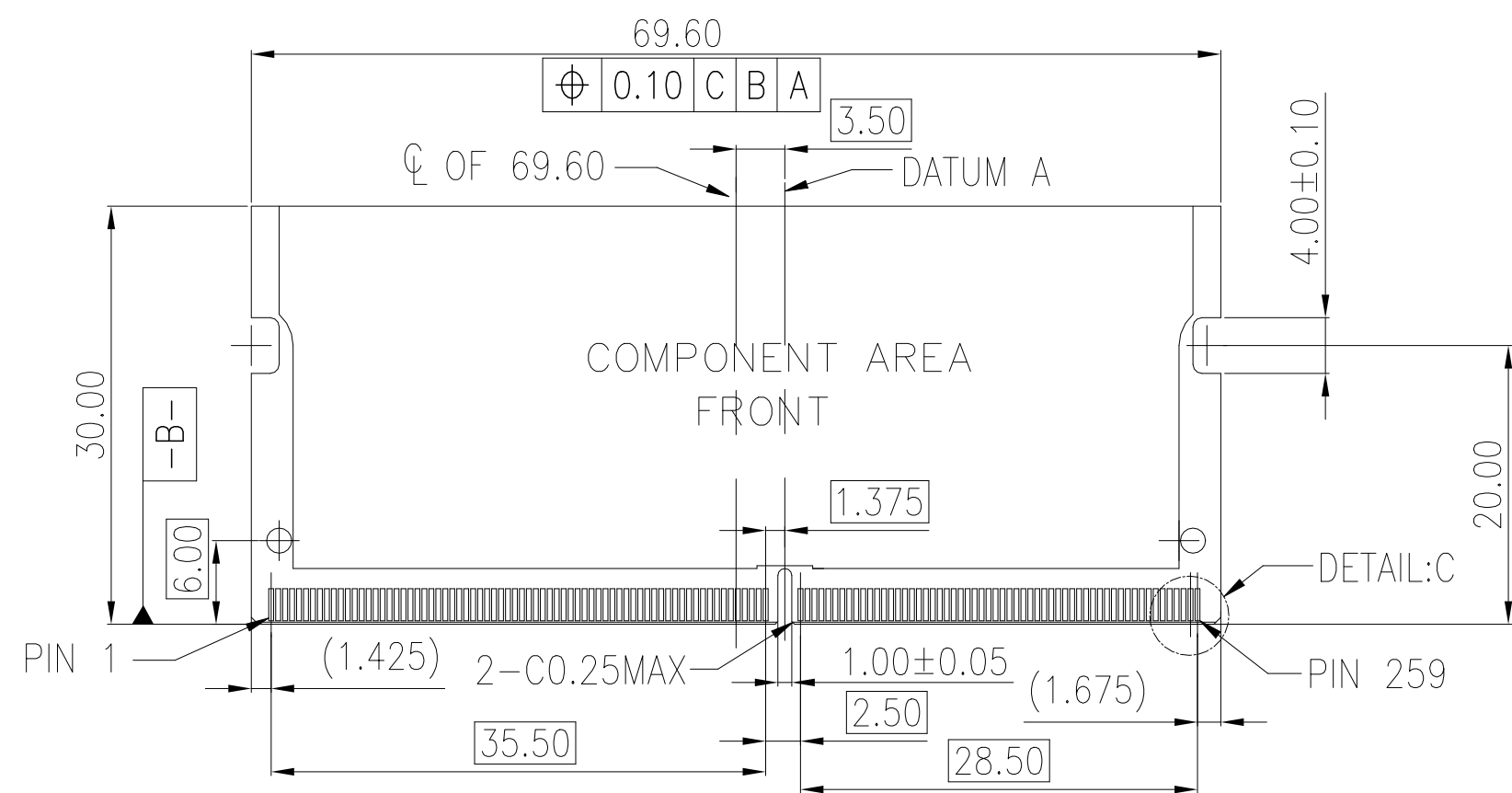


SECTION:A-A
SCALE 2:1

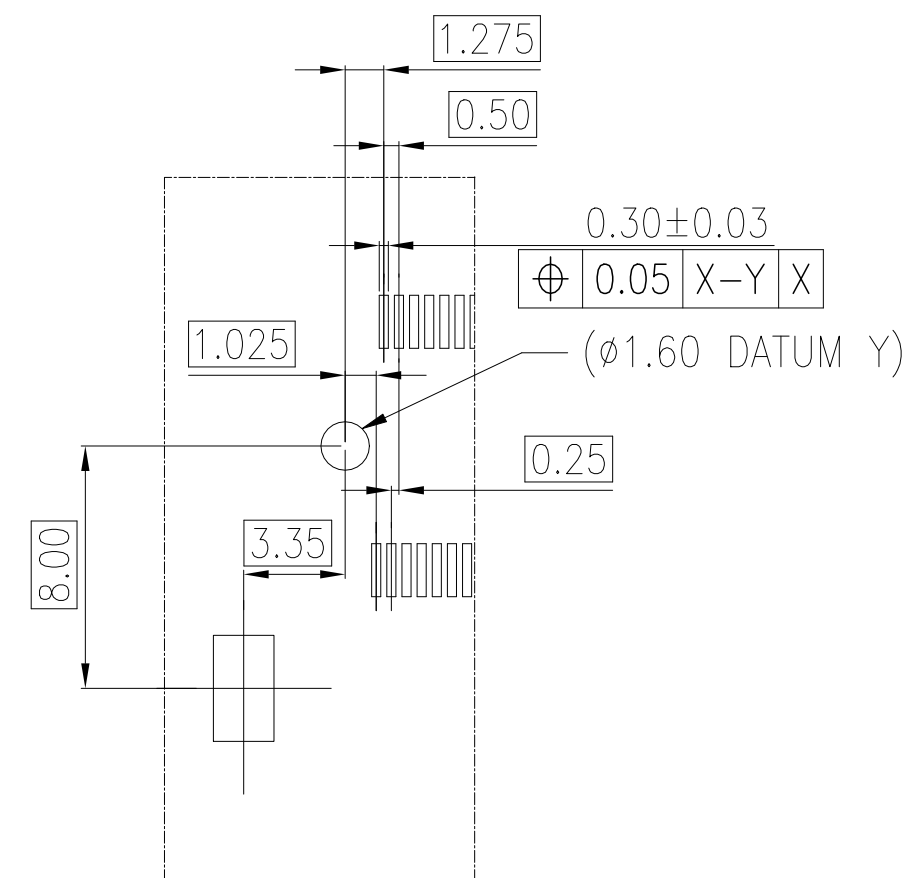
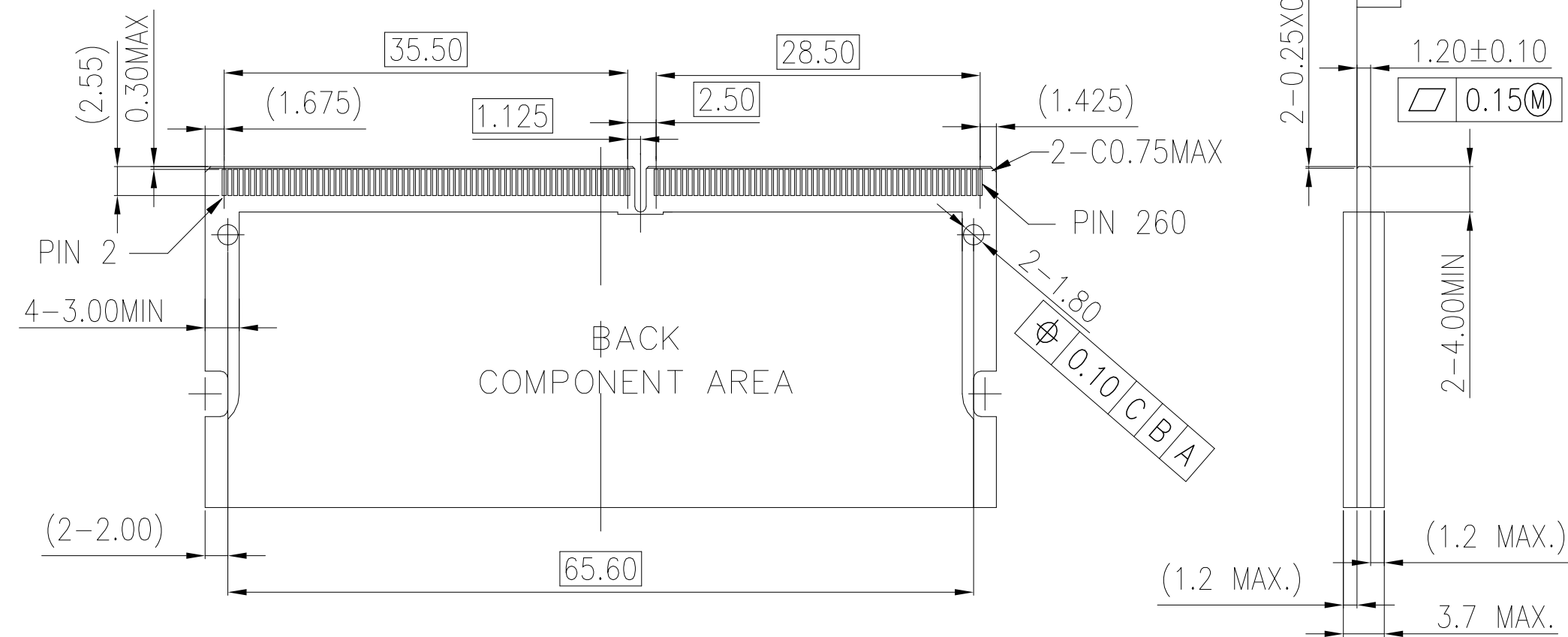
TAPE&REEL	BLACK	1.2V	30u"	260	2309412-5
TAPE&REEL	BLACK	1.2V	15u"	260	2309412-4
TAPE&REEL	BLACK	1.2V	10u"	260	2309412-3
TAPE&REEL	BLACK	1.2V	5u"	260	2309412-2
TAPE&REEL	BLACK	1.2V	GF	260	2309412-1
PACKING TYPE	HOUSING COLOR	POWER SUPPLY	FINISH	POS	PART NO.

THIS DRAWING IS A CONTROLLED DOCUMENT.		DWN DAVID ZHAO 09SEP2016			
DIMENSIONS: mm		CHK RICHARD MA 09SEP2016			
TOLERANCES UNLESS OTHERWISE SPECIFIED:		APVD SIMON LI 09SEP2016	NAME		
0 PLC ± -		108-115122		DDR4 SODIMM SOCKET	
1 PLC ± 0.25		APPLICATION SPEC		0.5mm PITCH 260POS	
2 PLC ± 0.15		WEIGHT		8.0mm HEIGHT REVERSE TYPE	
3 PLC ± 0.10		SIZE		RESTRICTED TO	
4 PLC ± -		A2 00779		C=2309412	
ANGLES ± -		CUSTOMER DRAWING		SCALE 1:1 SHEET 1 of 3 REV 4	
FINISH		DRAWING NO			

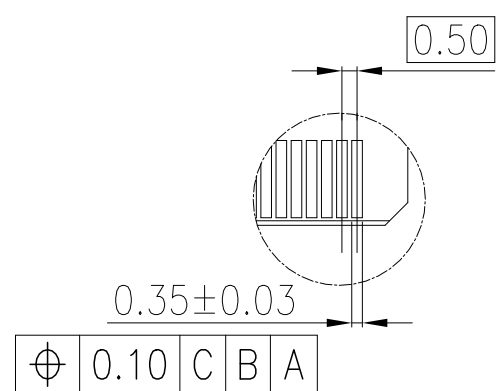
REVISIONS					
P	LTR	DESCRIPTION	DATE	OWN	APVD
-	-	-	-	-	-



RECOMMEND PCB LAYOUT
 THE TOLERANCE UNLESS SPECIFIED IS ±0.05MM



DETAIL:D
 SCALE 2:1

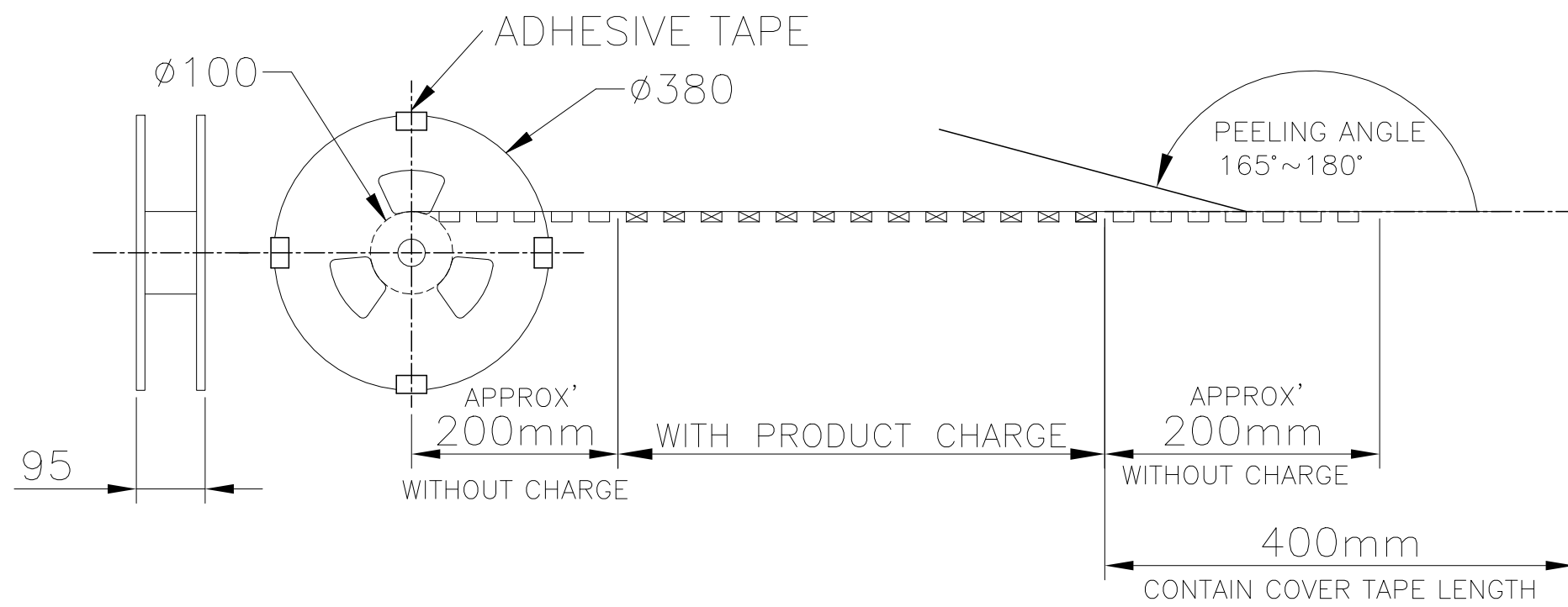


DETAIL:C
 SCALE 2:1

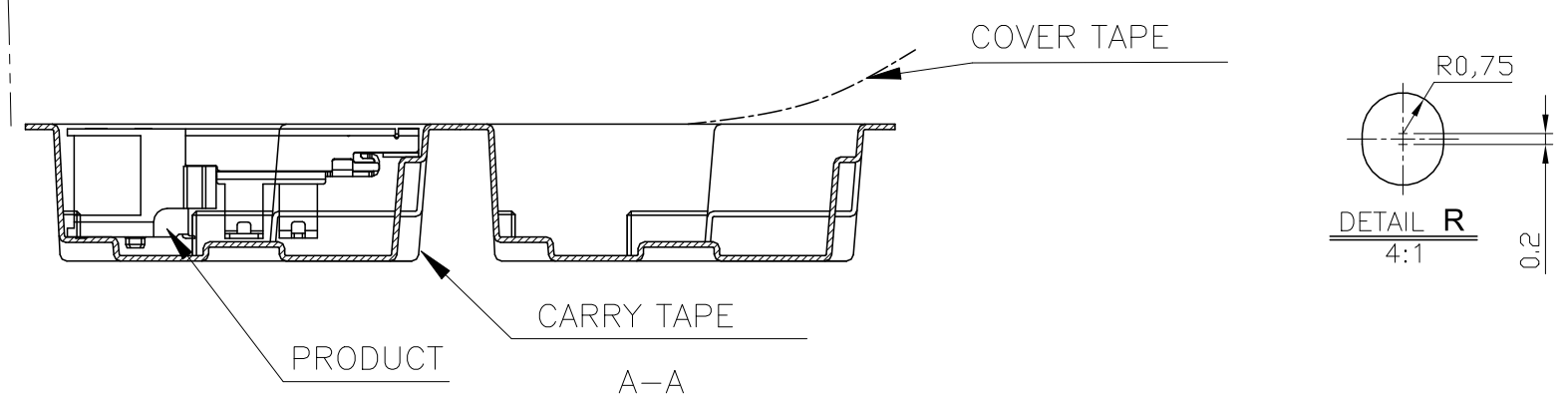
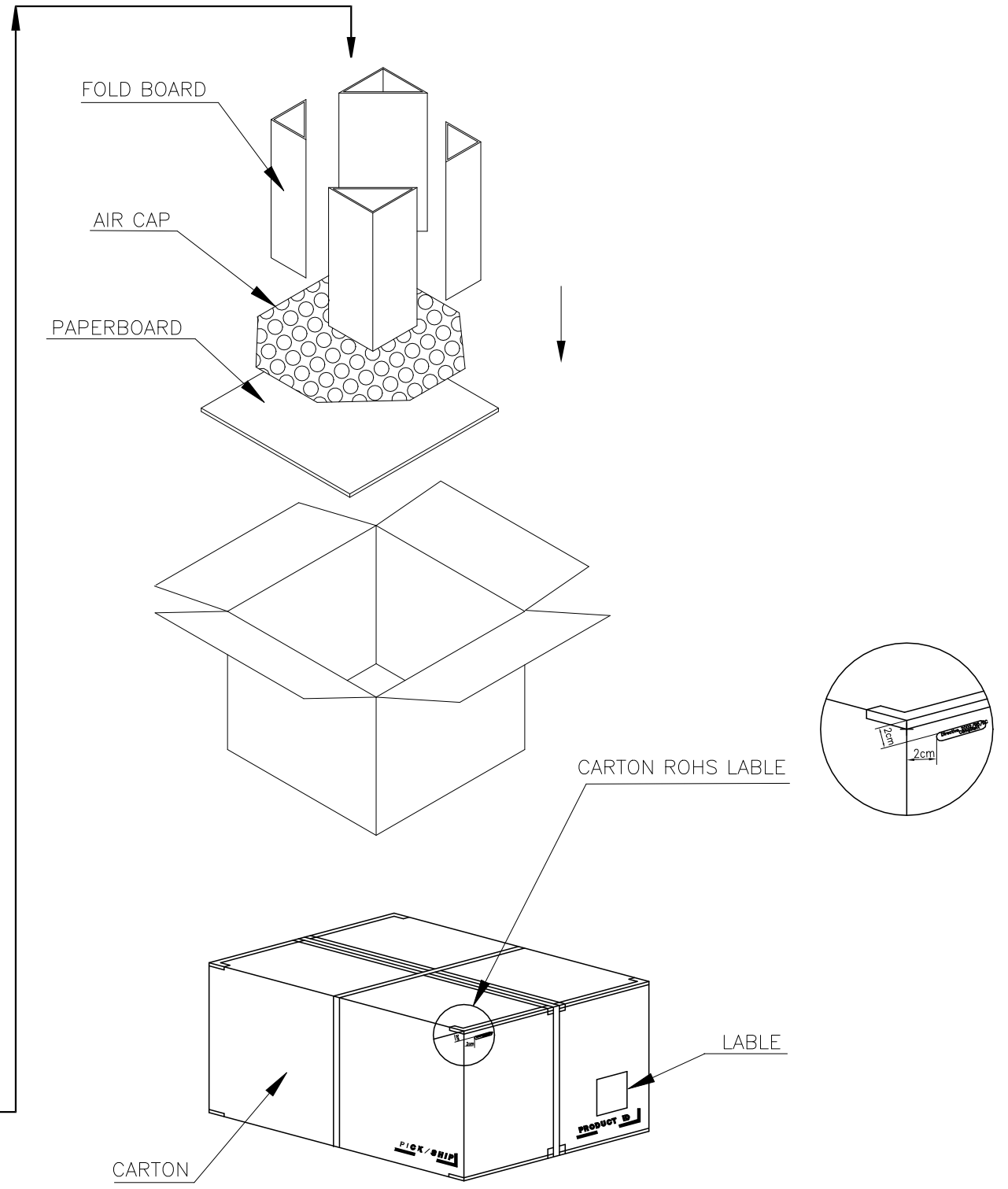
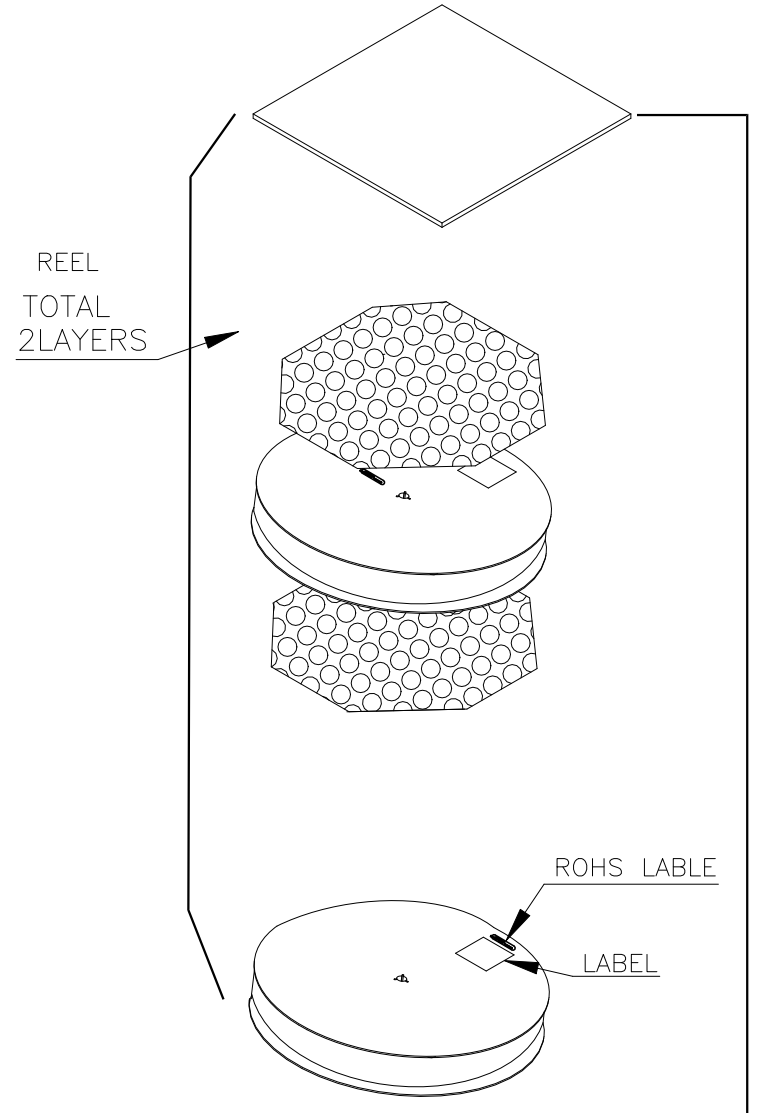
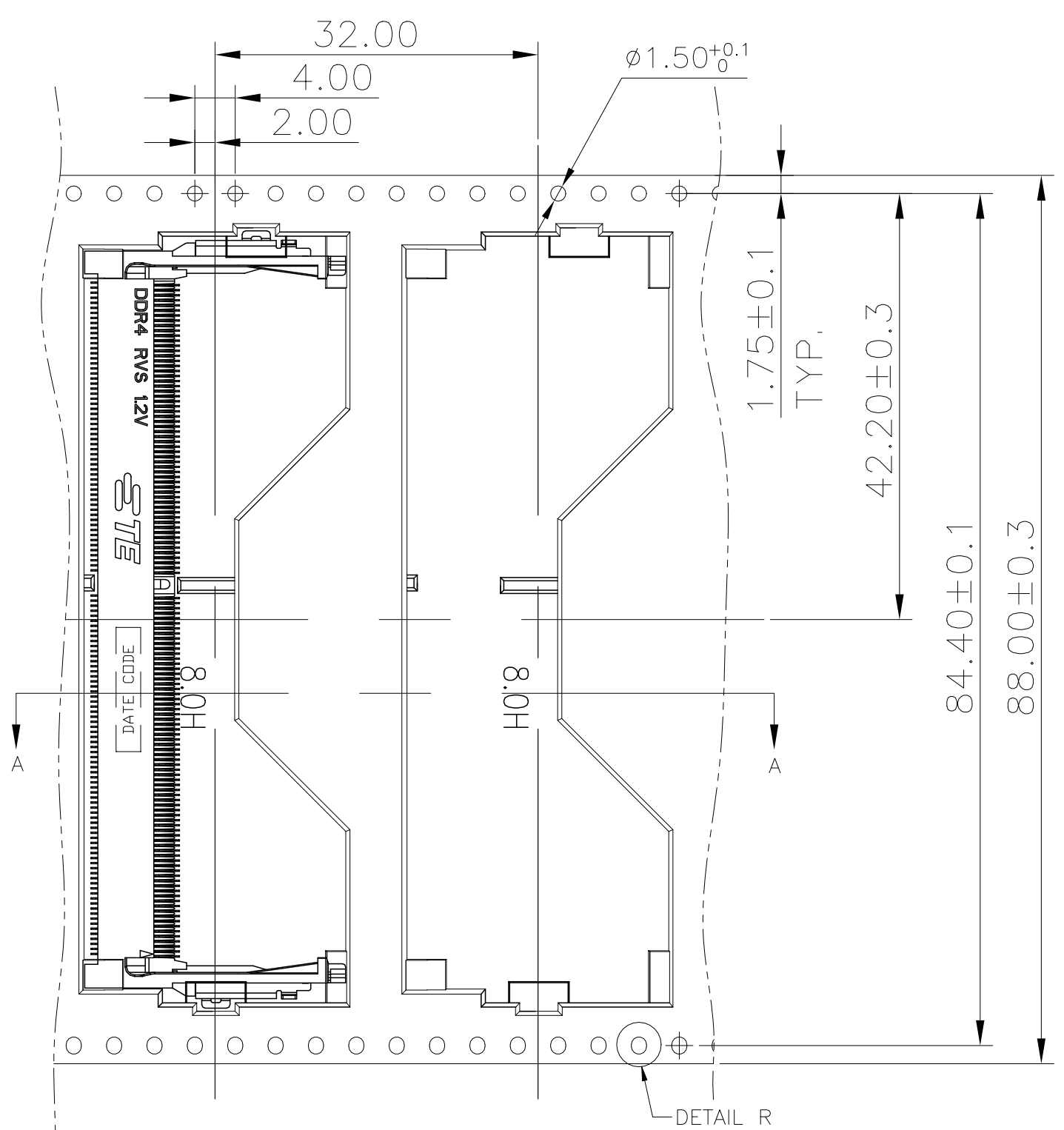
THIS DRAWING IS A CONTROLLED DOCUMENT.		OWN DAVID ZHAO 09SEP2016		TE Connectivity		
DIMENSIONS: mm		CHK RICHARD MA 09SEP2016		NAME		
TOLERANCES UNLESS OTHERWISE SPECIFIED:		APVD SIMON LI 09SEP2016		DDR4 SODIMM SOCKET		
0 PLC ± 1 PLC ± 2 PLC ± 3 PLC ± 4 PLC ± ANGLES ± FINISH ±		PRODUCT SPEC		0.5mm PITCH 260POS		
MATERIAL		APPLICATION SPEC	SIZE A2	CAGE CODE 00779	DRAWING NO. C=2309412	RESTRICTED TO -
		WEIGHT	SCALE 1:1		SHEET 2 OF 3	REV 4
		CUSTOMER DRAWING				

THIS DRAWING IS UNPUBLISHED. RELEASED FOR PUBLICATION
 © COPYRIGHT 2016 By TE connectivity ALL RIGHTS RESERVED.

REVISIONS					
P	LTR	DESCRIPTION	DATE	OWN	APVD
-	-	-	-	-	-



PULL OUT DIRECTION →



250	2	500	*-2309412-*
PCS/REEL	REEL/CARTON	PCS/CARTON	PART NUMBER

THIS DRAWING IS A CONTROLLED DOCUMENT.		DWN DAVID ZHAO 09SEP2016		NAME	
DIMENSIONS: mm		CHK RICHARD MA 09SEP2016		SIMON LI	
TOLERANCES UNLESS OTHERWISE SPECIFIED:		APVD SIMON LI 09SEP2016		PRODUCT SPEC	
0 PLC ±		APPLICATION SPEC			
1 PLC ±		WEIGHT		SIZE A2	CAGE CODE 00779
2 PLC ±		CUSTOMER DRAWING		DRAWING NO C=2309412	RESTRICTED TO -
3 PLC ±		SCALE 1:1		SHEET 3 of 3	REV 4
4 PLC ±		SHEET 3 of 3		REV 4	
ANGLES ±					
FINISH ±					

Mouser Electronics

Authorized Distributor

Click to View Pricing, Inventory, Delivery & Lifecycle Information:

[TE Connectivity:](#)

[2309412-3](#)