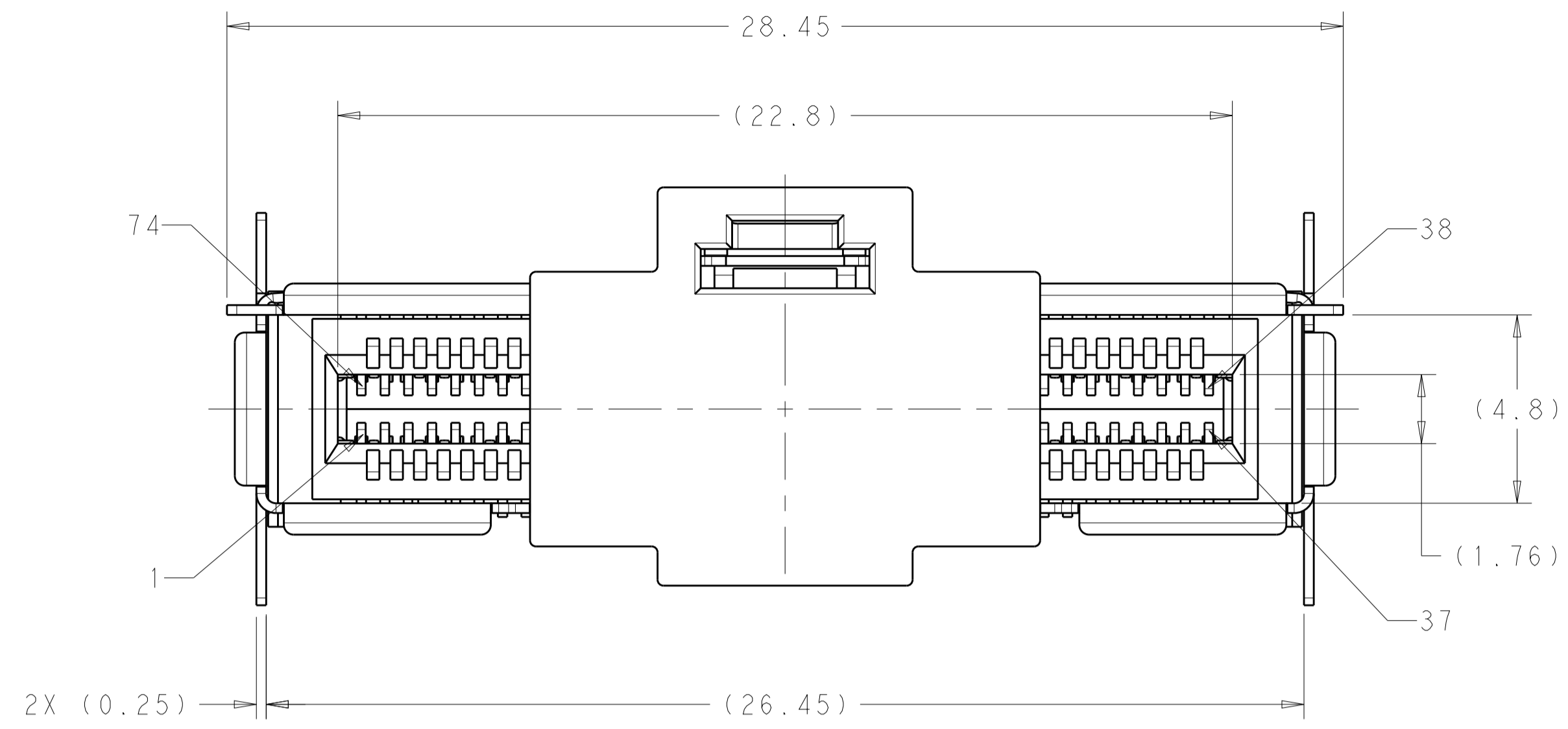
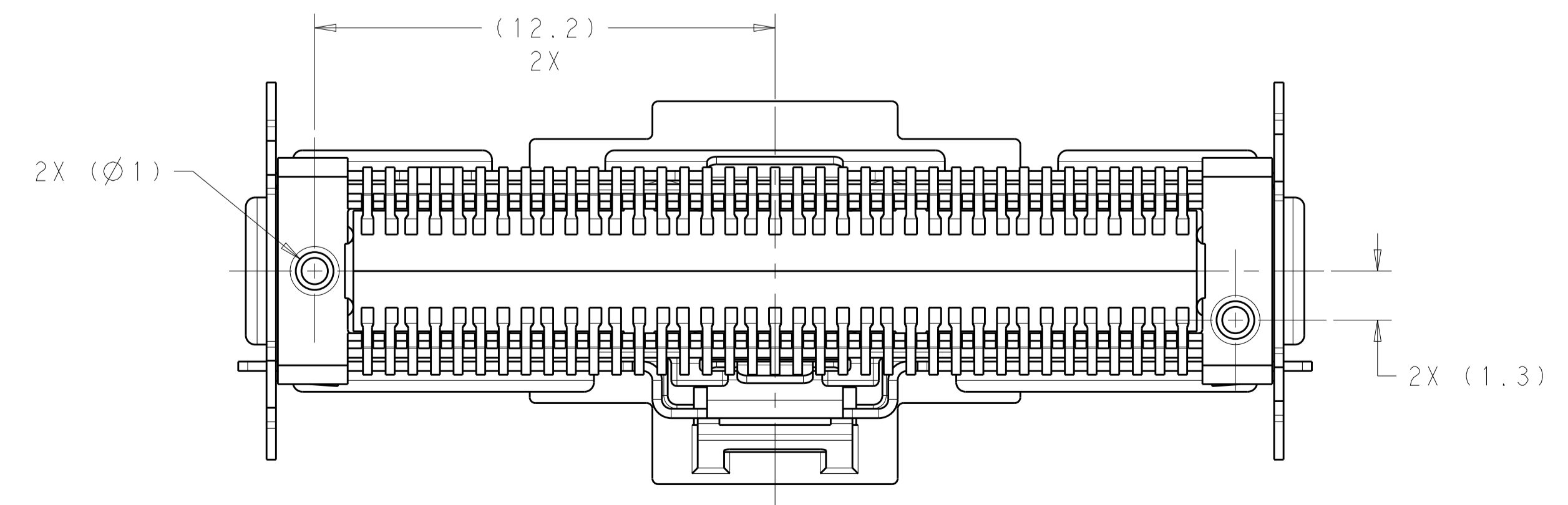
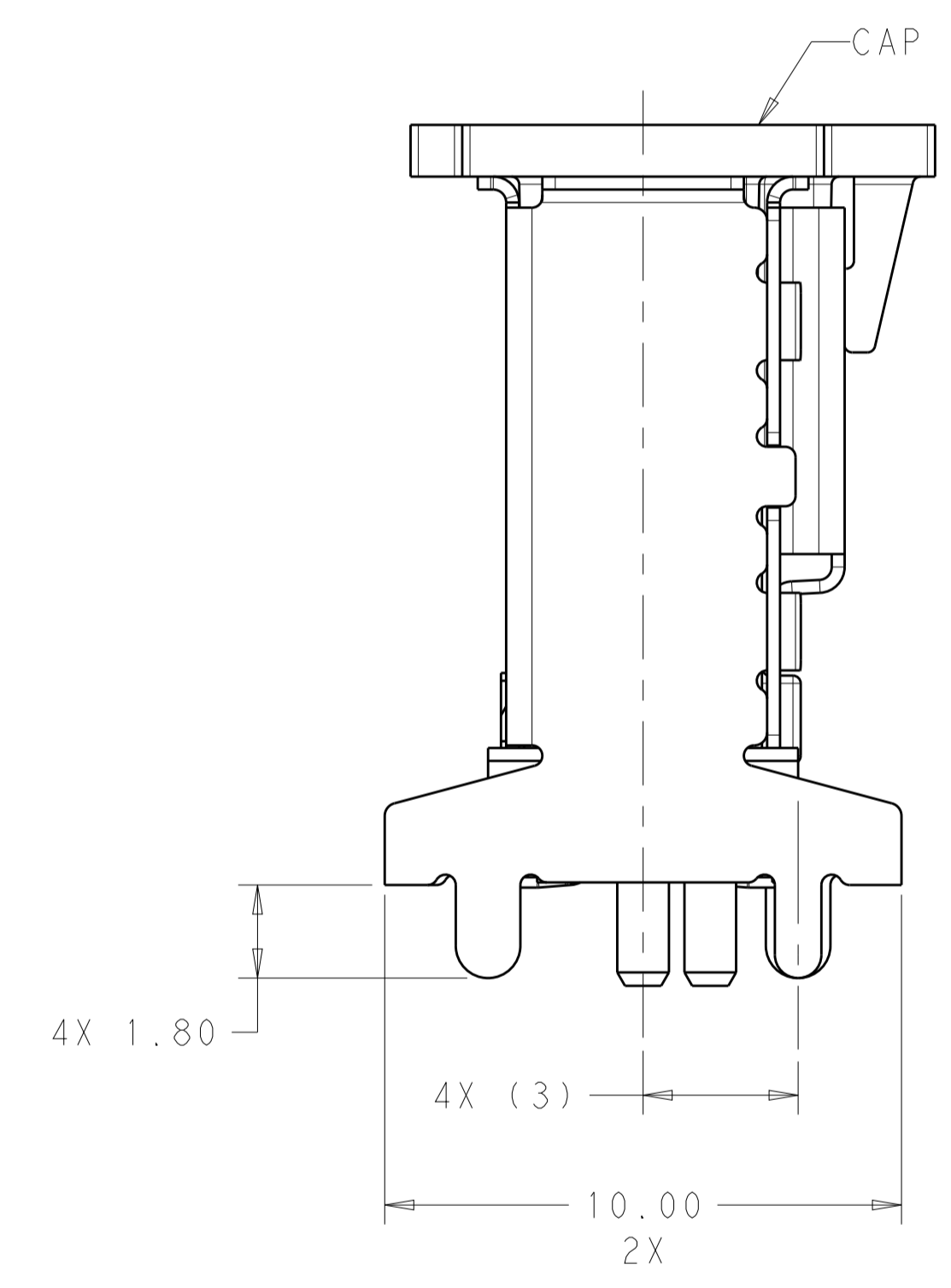
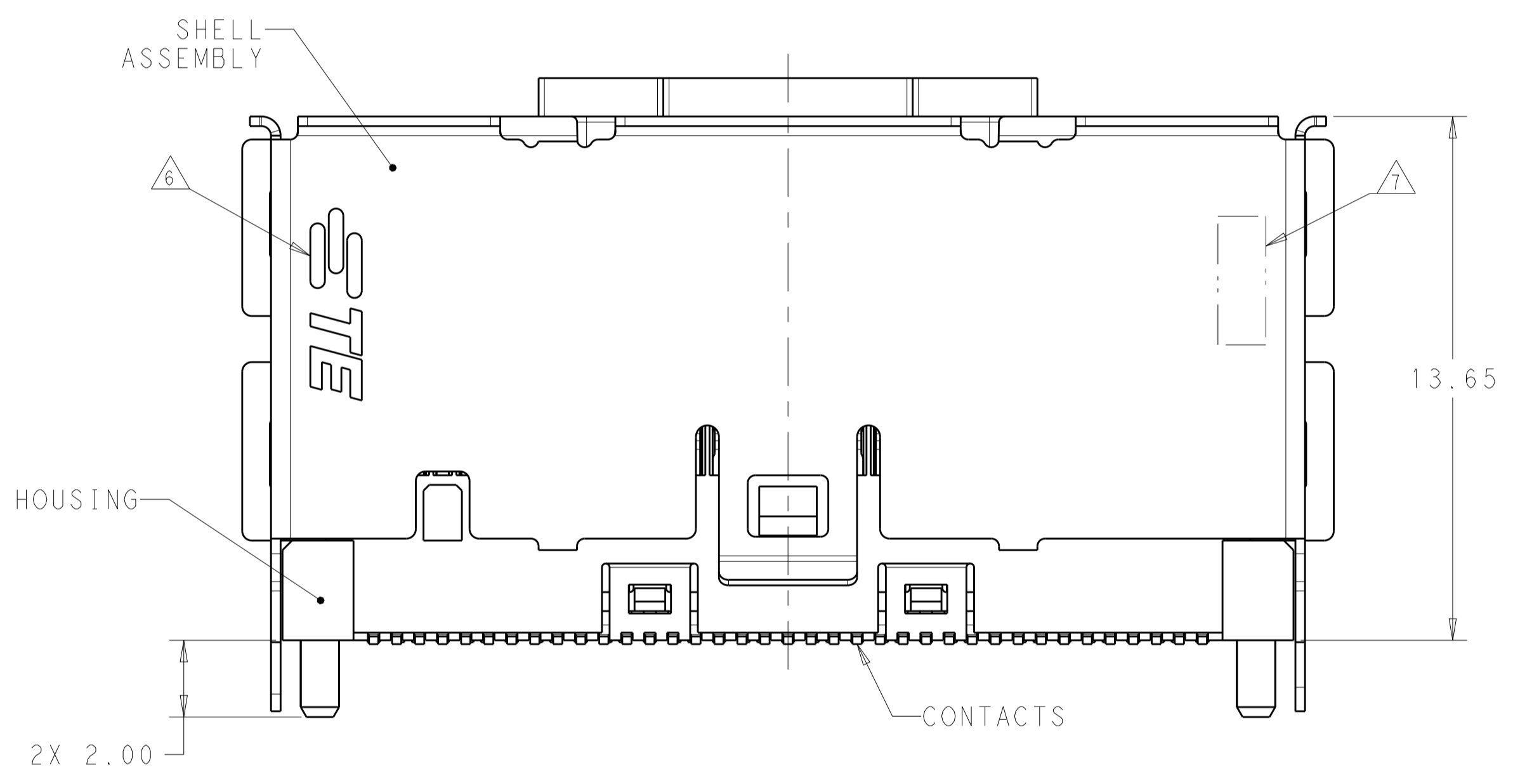


REVISIONS				
P.	LTN	DESCRIPTION	DATE	APVD
A		RELEASE	15JUN2017	CJV EDB
B		REVISED PER ECO-17-014247	21SEP2017	MS MP
C		REVISED PER ECO-19-011393	11NOV2019	TX DZ



- 1 HOUSING AND CONTACT OVERMOLD: LCP, BLACK, UL94 V-0 RATED
 CAP: LCP, BLACK.
 CONTACTS: COPPER ALLOY.
 SHELL ASSEMBLY: COPPER ALLOY, NICKEL PLATED.
 TIN PLATED ON HOLD DOWNS.
- 2 0.76µm MIN. GOLD PLATED ON MATING INTERFACE.
 2.54µm MIN. MATTE TIN PLATED ON SOLDER TAILS.
 BOTH OVER 1.27µm MIN. NICKEL ALL OVER.
- 3 DATUM AND BASIC DIMENSION ESTABLISHED BY CUSTOMER.
- 4 DESIGNED FOR A 1.42 MIN THICK PC BOARD.
- 5 RECOMMENDED COMPONENT KEEP OUT AREA.
- 6 TE CONNECTIVITY LOGO MARKED IN APPROXIMATE AREA SHOWN.
- 7 PART NUMBER AND DATE CODE MARKED IN APPROXIMATE AREA SHOWN



WITHOUT CAP	2291316-2
WITH CAP	2291316-1
REMARKS	PART NUMBER

THIS DRAWING IS A CONTROLLED DOCUMENT. DWN: M. SHIRK 09MAR2015
 CHK: M. PHILLIPS 09MAR2015

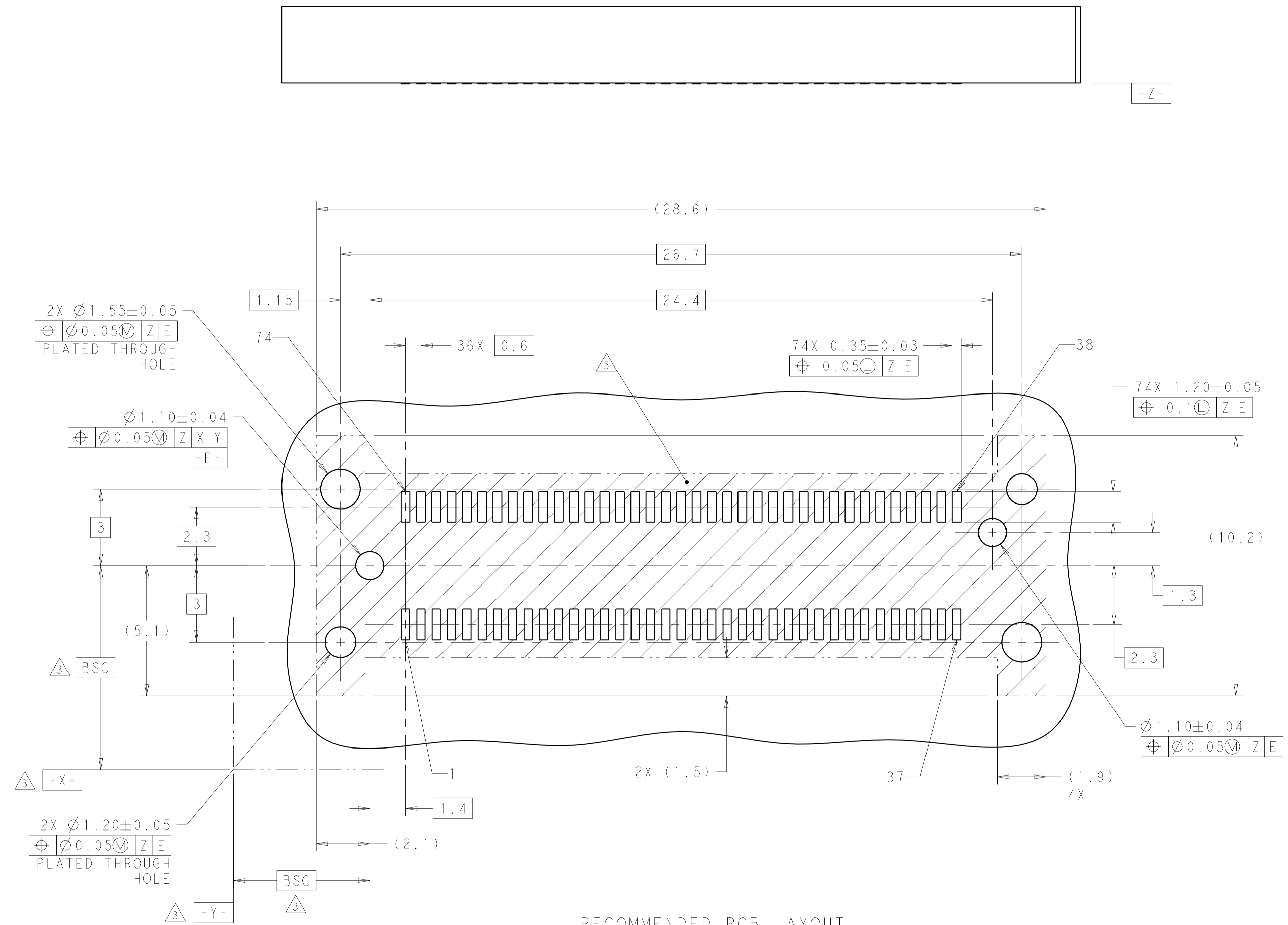
TE Connectivity

RECEPTACLE CONNECTOR, VERTICAL, 74 POSITION, SLIVER

SIZE: A1 CAGE CODE: - DRAWING NO: C=2291316

SCALE: 8:1 SHEET 1 OF 2 REV C

REVISIONS				
P.	LTN.	DESCRIPTION	DATE	APPD.
-	-	SEE SHEET 1	-	-



RECOMMENDED PCB LAYOUT
AND KEEP OUT AREA
SCALE 10:1

PIN #	DESCRIPTION	PIN #	DESCRIPTION
1	SIGNAL GROUND	74	SIGNAL GROUND
2	SIGNAL	73	SIGNAL
3	SIGNAL	72	SIGNAL
4	SIGNAL GROUND	71	SIGNAL GROUND
5	SIGNAL	70	SIGNAL
6	SIGNAL	69	SIGNAL
7	SIGNAL GROUND	68	SIGNAL GROUND
8	SIGNAL	67	SIGNAL
9	SIGNAL	66	SIGNAL
10	SIGNAL GROUND	65	SIGNAL GROUND
11	SIGNAL	64	SIGNAL
12	SIGNAL	63	SIGNAL
13	SIGNAL GROUND	62	SIGNAL GROUND
14	SIGNAL	61	SIGNAL
15	SIGNAL	60	SIGNAL
16	SIGNAL GROUND	59	SIGNAL GROUND
17	SIGNAL	58	SIGNAL
18	SIGNAL	57	SIGNAL
19	SIGNAL GROUND	56	SIGNAL GROUND
20	SIGNAL	55	SIGNAL
21	SIGNAL	54	SIGNAL
22	SIGNAL GROUND	53	SIGNAL GROUND
23	SIGNAL	52	SIGNAL
24	SIGNAL	51	SIGNAL
25	SIGNAL GROUND	50	SIGNAL GROUND
26	SIGNAL	49	SIGNAL
27	SIGNAL	48	SIGNAL
28	SIGNAL GROUND	47	SIGNAL GROUND
29	SIGNAL	46	SIGNAL
30	SIGNAL	45	SIGNAL
31	SIGNAL GROUND	44	SIGNAL GROUND
32	SIGNAL	43	SIGNAL
33	SIGNAL	42	SIGNAL
34	SIGNAL GROUND	41	SIGNAL GROUND
35	SIGNAL	40	SIGNAL
36	SIGNAL	39	SIGNAL
37	SIGNAL GROUND	38	SIGNAL GROUND

THIS DRAWING IS A CONTROLLED DOCUMENT. DWN: M. SHIRK 09MAR2015
CHK: M. PHILLIPS 09MAR2015

STE TE Connectivity

NAME: RECEPTACLE CONNECTOR, VERTICAL, 74 POSITION, SLIVER

SIZE: A1 CAGE CODE: - DRAWING NO: C=2291316

MATERIAL: - FINISH: - WEIGHT: -

CUSTOMER DRAWING SCALE: 5:1 SHEET: 2 OF 2 REV: C

Mouser Electronics

Authorized Distributor

Click to View Pricing, Inventory, Delivery & Lifecycle Information:

[TE Connectivity:](#)

[2291316-1](#)