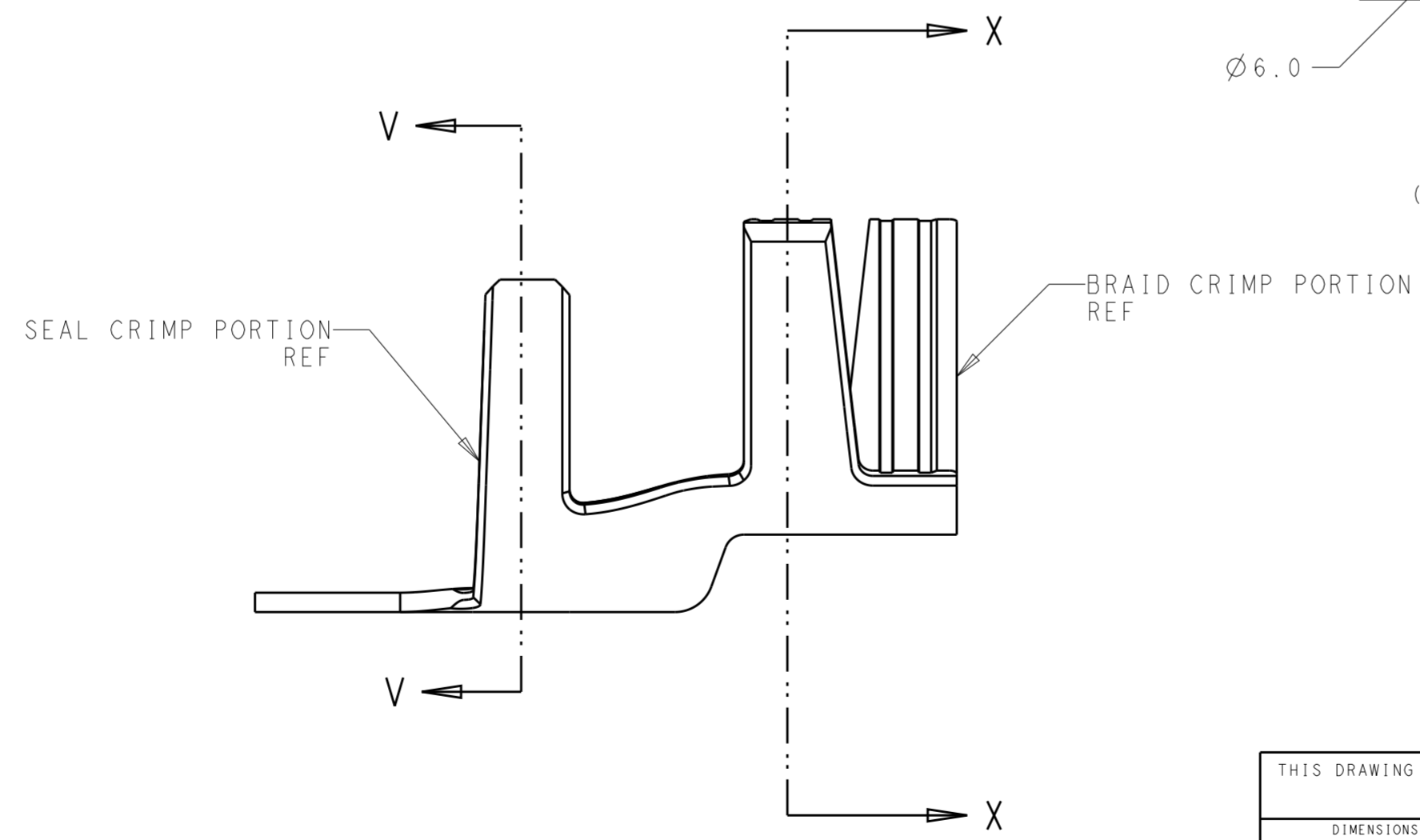
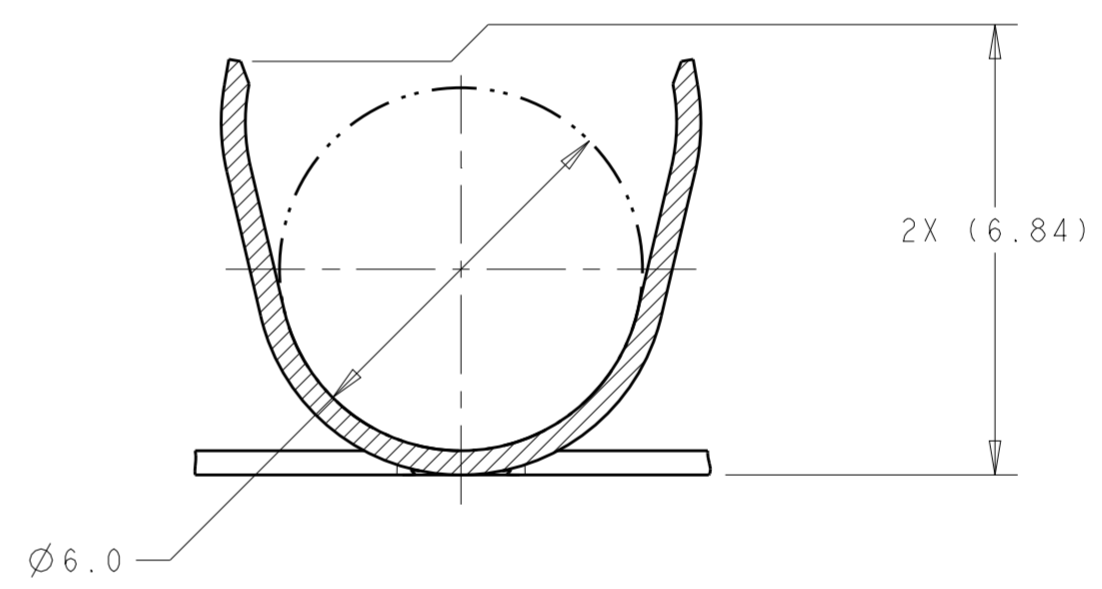
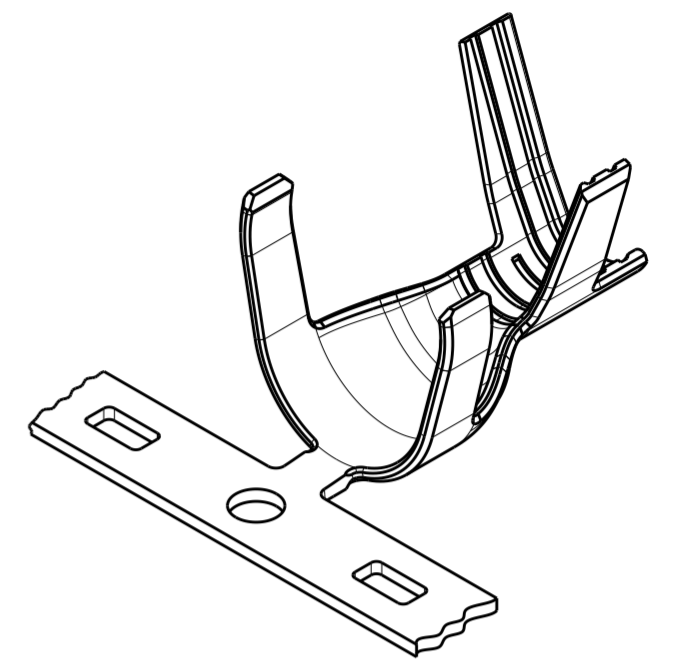
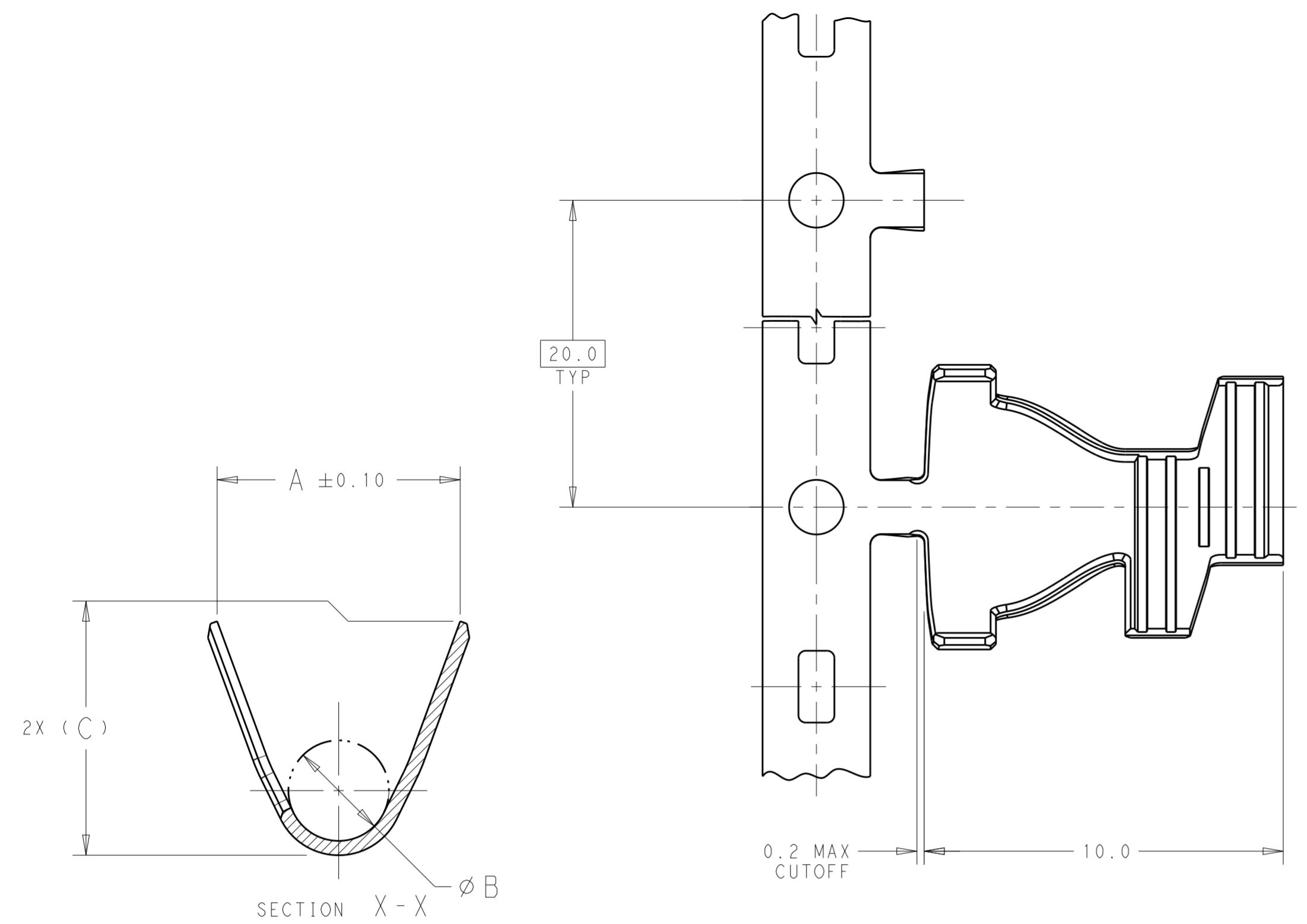


THIS DRAWING IS UNPUBLISHED. RELEASED FOR PUBLICATION 20  
 © COPYRIGHT 20 BY - ALL RIGHTS RESERVED.

REVISIONS					
P	LTR	DESCRIPTION	DATE	DWN	APVD
1		INITIAL DRAWING	12SEP2016	DJH	NFS
A		RELEASED	27SEP2017	ERL	ERL



- 1 MATERIAL: COPPER ALLOY.
- 2 1.0  $\mu$ m MIN TIN.
- 3. PACKAGED ON REEL.
- 4. 2272633-3 AS SHOWN.
- 5. THIS PRODUCT HAS NOT COMPLETED VALIDATION TESTING.
- 6 PRELIMINARY PART NUMBER - NOT RELEASED FOR PRODUCTION.
- 7 PART NUMBER RELEASED FOR PRODUCTION.

6	7.12	3.29	7.49	2CS, 2DS, 2.5CS, 2.5DS, AMC-4mm	2272633-5
6	8.29	3.70	8.69	RG-58, RG58 LL	2272633-4
7	6.52	2.80	6.77	RTK-031	2272633-3
7	5.13	2.22	5.42	1.5CS, 1.5DS, RG-174, RG-174 LL, RG-179, RG-316	2272633-2
6	3.88	1.49	4.09	RG-178	2272633-1
STATUS	C	B	A	APPLICABLE CABLE SIZE	PART NUMBER

THIS DRAWING IS A CONTROLLED DOCUMENT.

DWN: D. J. HARDY 09SEP2016  
 CHK: N. F. SCHROLL 12SEP2016  
 APVD: N. F. SCHROLL 12SEP2016

TE Connectivity

NAME: OUTER FERRULE, 180 DEGREE, SEALED, AUTOMATED FAKRA

SIZE: A2 CAGE CODE: - DRAWING NO: C-2272633 RESTRICTED TO: -

MATERIAL: 1 TOLERANCES UNLESS OTHERWISE SPECIFIED: 2

0 PLC  $\pm$  0.2  
 1 PLC  $\pm$  0.1  
 2 PLC  $\pm$  0.1  
 3 PLC  $\pm$  0.1  
 4 PLC  $\pm$  0.1  
 ANGLES  $\pm$  FINISH

PRODUCT SPEC: -  
 APPLICATION SPEC: -  
 WEIGHT: -

CUSTOMER DRAWING SCALE: 8:1 SHEET: 1 OF 1 REV: A

# Mouser Electronics

Authorized Distributor

Click to View Pricing, Inventory, Delivery & Lifecycle Information:

[TE Connectivity:](#)

[2272633-4](#)