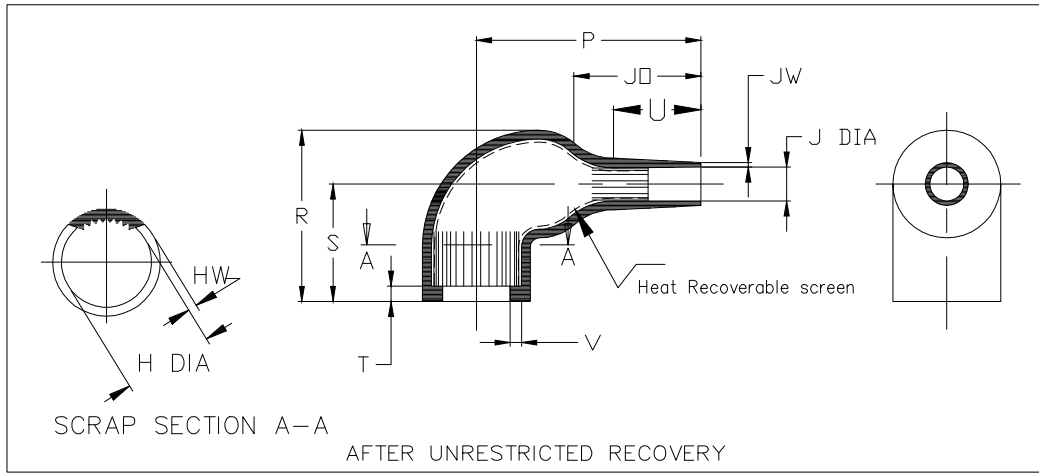
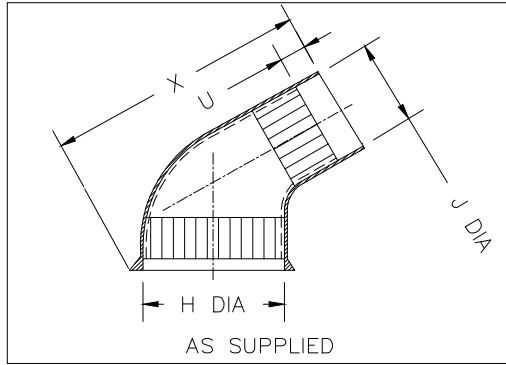


REVISIONS

P	LTR	DESCRIPTION	DATE	DWN	APVD
	A	ECO-18-002821	26FEB2018	KH	NN



Part No.	H		J		P	R	S	T	U		V	JO	X	HW	JW
	Min a	Max b	Min a	Max b	Ref b	±10% b	Ref b	Ref b	Min a	±20% b	Ref b	Ref b	±5% a	±30% b	±30% b
222S121-XXC-0	20 [.79]	10.4 [.41]	11 [.43]	5.0 [.20]	30 [1.18]	25 [.98]	19 [.75]	3.0 [.12]	5.0 [.20]	10 [.39]	1.0 [.04]	15 [.59]	45 [1.77]	1.5 [.06]	1.0 [.04]
222S132-XXC-0	24 [.94]	14.2 [.56]	15 [.59]	6.0 [.24]	38 [1.50]	28 [1.10]	20 [.79]	3.0 [.12]	5.0 [.20]	10 [.39]	1.0 [.04]	17 [.67]	54 [2.13]	1.5 [.06]	1.0 [.04]
222S142-XXC-0	31 [1.22]	18.0 [.71]	18 [.71]	7.2 [.28]	42 [1.65]	31 [1.22]	21 [.83]	3.0 [.12]	6.0 [.24]	10 [.39]	1.0 [.04]	18 [.71]	63 [2.48]	2.0 [.08]	1.0 [.04]
222S152-XXC-0	36 [1.42]	22.4 [.88]	22 [.87]	8.5 [.33]	51 [2.01]	38 [1.50]	26 [1.02]	3.0 [.12]	7.0 [.28]	12 [.47]	1.0 [.04]	20 [.79]	70 [2.76]	2.0 [.08]	1.0 [.04]
222S163-XXC-0	43 [1.69]	28.2 [1.11]	26 [1.02]	10.0 [.39]	67 [2.64]	45 [1.77]	30 [1.18]	3.0 [.12]	12 [.47]	20 [.79]	1.7 [.07]	28 [1.10]	90 [3.54]	2.2 [.09]	1.5 [.06]
222S174-XXC-0	47 [1.85]	35.1 [1.38]	36 [1.42]	15.8 [.62]	80 [3.15]	54 [2.13]	36 [1.42]	3.0 [.12]	12 [.47]	20 [.79]	1.7 [.07]	31 [1.22]	112 [4.41]	3.0 [.12]	1.5 [.06]

RELEASED FOR PUBLICATION

ALL RIGHTS RESERVED.

THIS DRAWING IS UNPUBLISHED.

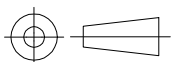
© COPYRIGHT 2017 By TE Connectivity

DIMENSIONS:

mm [INCHES]

TOLERANCES UNLESS OTHERWISE SPECIFIED:

- 0 PLC ± -
- 1 PLC ± -
- 2 PLC ± -
- 3 PLC ± -
- 4 PLC ± -
- ANGLES ± -



DWN K. HOTAL 24JUN2016

CHK N. NAGAR 24JUN2016

APVD A. POOLE 24JUN2016

PRODUCT SPEC

APPLICATION SPEC

WEIGHT 00

MATERIAL

FINISH



TE Connectivity

NAME
RIGHT ANGLED BOOT, COATED
222S1XX-XXC-0

SIZE A4 CAGE CODE 00779 DRAWING NO C-222S1XX-XXC-0

RESTRICTED TO

CUSTOMER DRAWING

SCALE DNS

SHEET 1 OF 2

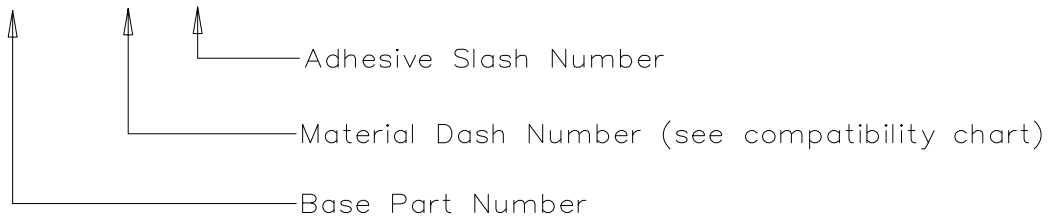
REV A

REVISIONS				
P	LTR	DESCRIPTION	DATE	APVD
	-	SEE SHEET 1	-	-

COMPATIBILITY CHART			
Material Dash No.	Material Description	SPEC No.	Coating Slash No.
-25C	ELASTOMER/SILVER COMPOSITE	RW-3047	/86, /200

ORDERING INFORMATION

222S1**-**C/**-0



NOTES


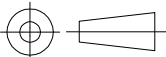
- As supplied dimensions are for parts without adhesive, when an adhesive layer is added entry diameters will reduce by 1.5mm Max.
- For method of measuring recovered diameter, see appropriate RW specification (SPEC No.) section 2.2.

RELEASED FOR PUBLICATION

ALL RIGHTS RESERVED.

THIS DRAWING IS UNPUBLISHED.

© COPYRIGHT 2017 By TE Connectivity

DIMENSIONS: mm [INCHES]	DWN K. HOLAL	08JUN2016	MATERIAL -	FINISH -
	CHK N. NAGAR	08JUN2016	 TE Connectivity	
TOLERANCES UNLESS OTHERWISE SPECIFIED:	APVD A. POOLE	08JUN2016		
	0 PLC ± - 1 PLC ± - 2 PLC ± - 3 PLC ± - 4 PLC ± - ANGLES ± -	PRODUCT SPEC -	APPLICATION SPEC -	SIZE A4
	WEIGHT 00	DRAWING NO G-222S1XX-XXC-0		RESTRICTED TO -
	CUSTOMER DRAWING			SCALE DNS

Mouser Electronics

Authorized Distributor

Click to View Pricing, Inventory, Delivery & Lifecycle Information:

[TE Connectivity:](#)

[EK7314-000](#)