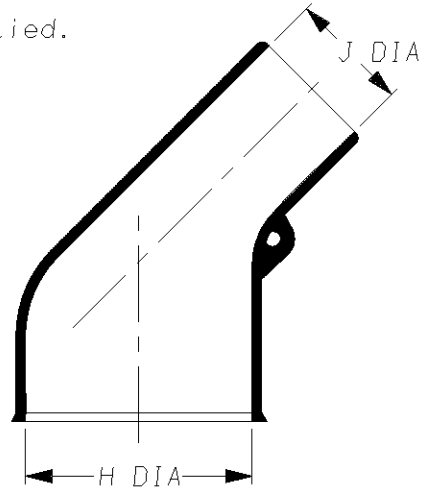


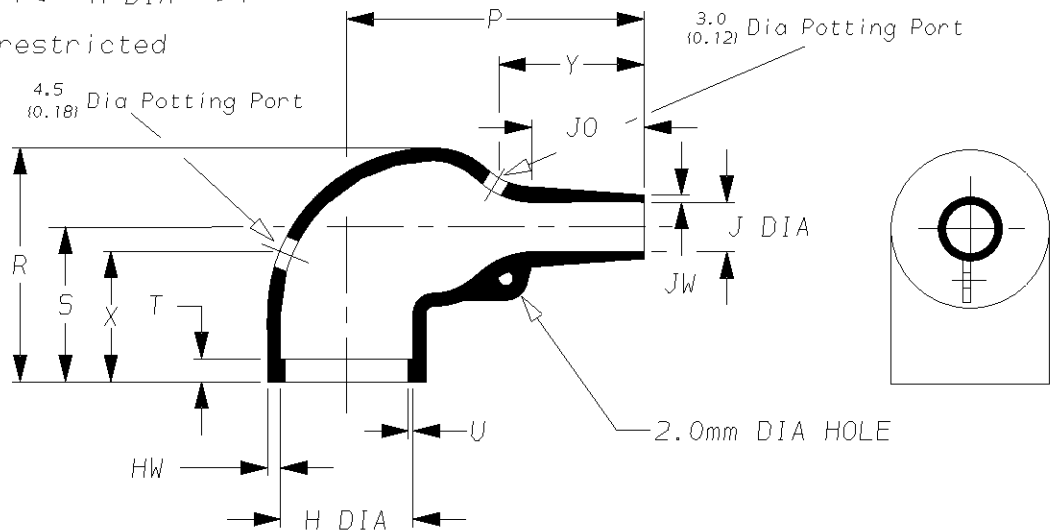
# Specification Control Drawing

a) Part as supplied.



222K1\*\*-100

b) Part after unrestricted recovery.


 DIMENSIONS in millimetres  
(in inches, for reference)

Part No.	H		J		P	R	S	T	U	J0	HW	JW	X	Y
	Min a	Max b	Min a	Max b	±10% b	±10% b	±10% b	±10% b	±10% b	±10% b	±20% b	±20% b	±20% b	±20% b
222K121	24 (0.94)	10.4 (0.41)	14 (0.55)	5.6 (0.22)	25 (0.98)	25 (0.98)	19 (0.75)	3.0 (0.12)	1.0 (0.04)	8.5 (0.33)	1.3 (0.05)	0.5 (0.02)	18 (0.71)	16 (0.63)
222K132	30 (1.18)	14.2 (0.56)	15 (0.59)	5.9 (0.23)	32 (1.26)	27 (1.06)	20 (0.79)	3.0 (0.12)	1.0 (0.04)	8.5 (0.33)	1.5 (0.06)	0.8 (0.03)	18 (0.71)	20 (0.79)
222K142	31 (1.22)	18.0 (0.71)	18 (0.71)	7.1 (0.28)	39 (1.54)	31 (1.22)	21 (0.83)	3.0 (0.12)	1.0 (0.04)	15.0 (0.59)	1.8 (0.07)	1.0 (0.04)	18 (0.71)	20 (0.79)
222K152	36 (1.42)	22.4 (0.88)	21 (0.83)	8.4 (0.33)	46 (1.81)	38 (1.50)	26 (1.02)	3.0 (0.12)	1.0 (0.04)	16.0 (0.63)	1.8 (0.07)	1.0 (0.04)	25 (0.98)	25 (0.98)
222K163	43 (1.69)	28.2 (1.11)	25 (0.98)	9.9 (0.39)	55 (2.17)	45 (1.77)	30 (1.18)	3.0 (0.12)	1.7 (0.07)	17.5 (0.69)	2.0 (0.08)	1.0 (0.04)	25 (0.98)	30 (1.18)
222K174	52 (2.05)	35.1 (1.38)	39 (1.54)	15.7 (0.62)	80 (3.15)	54 (2.13)	35 (1.38)	3.0 (0.12)	1.7 (0.07)	32.0 (1.26)	3.3 (0.13)	1.5 (0.06)	25 (0.98)	45 (1.77)
222K185	66 (2.60)	44.5 (1.75)	42 (1.65)	16.8 (0.66)	108 (4.25)	68 (2.68)	42 (1.65)	3.0 (0.12)	2.0 (0.08)	48.0 (1.89)	3.8 (0.15)	2.0 (0.08)	35 (1.38)	70 (2.76)

Drawn A.LILLEY. Checked

Issue 5

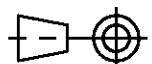
Date April 2008

Conforms to ISO Recommendations

 Approval  
Design

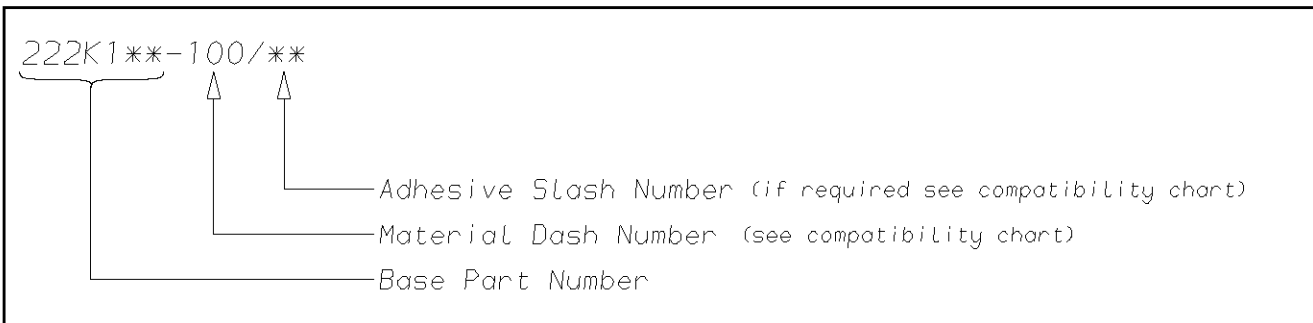
MKTG.

Tech.

 3rd Angle Projection  
Not to Scale


<b>TE</b> TE Connectivity		<b>Specification Control Drawing</b>		Part Number	222K1**-100	Issue 5
Iss.	Date	E.C.R. No.	Details of Change			
3	December 1985	****	Redrawn			
4	April 2008	CR06-HM-012	Imperial dimensions added Drawing title was 222K121-100 to 222K185-100			

(Ordering Information)



(COMPATIBILITY CHART)

Material Dash Number	Material Description	SPEC Number	Coating Slash Number
-100	ZEROHAL	RW-2058	/86, (see note 2)

NOTES

- ① Potting Ports are optional, when specified by suffix "-00" they will be located as shown.
- ② ZEROHAL is a trademark of TE Connectivity
- ③ As supplied dimensions are for uncoated parts, when coating is added entry diameters will reduce by 1.5mm Max.

TE Connectivity Faraday Road, Swindon, Wiltshire, SN3 5HH England Telephone: (01793) 528171 Fax: 572516	TE Connectivity 300, Constitution Drive, Menlo Park, CA 94025 USA Telephone (650) 361-3860 Fax: (650) 361-5579
Cage Code K1010	Cage Code 06090

# Mouser Electronics

Authorized Distributor

Click to View Pricing, Inventory, Delivery & Lifecycle Information:

## TE Connectivity:

[410993-000](#) [CJ6407-000](#) [738535-000](#) [CF0525-000](#) [D72571-000](#) [530947-000](#) [CJ6402-000](#) [225835-000](#) [256561-000](#) [055747-000](#) [645377-000](#) [D24683-000](#) [A74891-000](#) [CJ6405-000](#) [CJ6406-000](#) [607855-000](#) [118373-000](#) [121063-000](#) [512479-000](#) [439199-000](#) [CJ6404-000](#) [232625-000](#) [161517-000](#) [CA9809-000](#) [681689-000](#) [566357-000](#) [CA8292-000](#)