

REVISIONS

P	LTR	DESCRIPTION	DATE	DWN	APVD
	J	PRODUCTION ISSUE	28JAN2019	PNT	MT

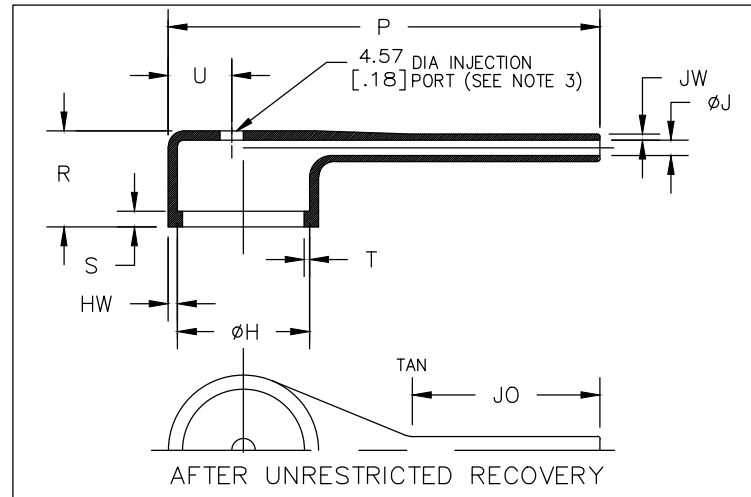
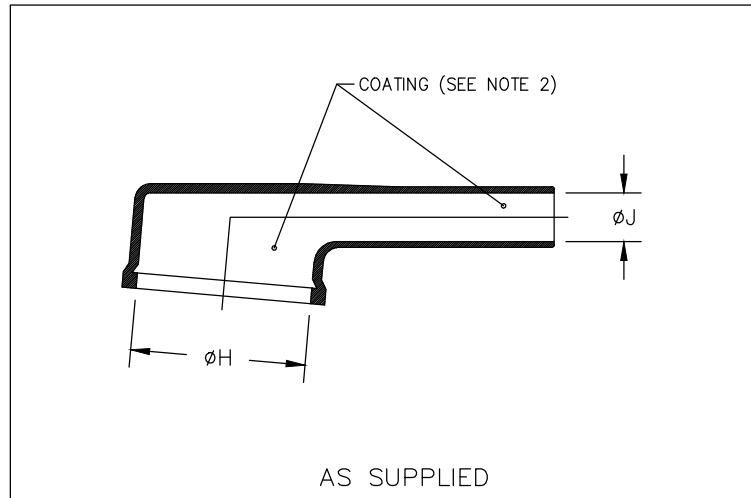


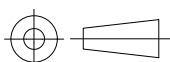
TABLE OF DIMENSIONS

PART NUMBER	H		J			P	R	S	T	U	JO	HW	JW
	Min a	Max b	Min -3,-4,-25 a	Min -12,-100 a	Max b	±10% b	Ref b	Ref b	Ref b	±10% b	±10% b	±20% b	±20% b
222D921	19.3 [.76]	13.0 [.51]	6.3 [.25]	4.5 [.18]	2.1 [.08]	44.5 [1.75]	16.3 [.64]	3.05 [.12]	1.02 [.04]	5.6 [.22]	21.8 [.86]	1.52 [.06]	1.14 [.045]
222D932	26.1 [1.03]	19.1 [.75]	7.6 [.30]	5.6 [.22]	2.6 [.10]	67.3 [2.65]	18.0 [.71]	3.05 [.12]	1.02 [.04]	8.4 [.33]	29.2 [1.15]	1.78 [.07]	1.14 [.045]
222D953	34.2 [1.35]	26.0 [1.02]	9.6 [.38]	6.6 [.26]	3.0 [.12]	81.3 [3.20]	18.8 [.74]	3.05 [.12]	1.02 [.04]	11.4 [.45]	36.3 [1.39]	1.78 [.07]	1.14 [.045]
222D963	43.6 [1.72]	34.1 [1.34]	11.4 [.45]	7.8 [.31]	3.6 [.14]	115.6 [4.55]	21.3 [.84]	3.05 [.12]	1.65 [.065]	15.5 [.61]	47.0 [1.85]	1.78 [.07]	1.14 [.045]

THIS DRAWING IS UNPUBLISHED.

COPYRIGHT - TE Connectivity Ltd.

0 PLC	± -
1 PLC	± -
2 PLC	± -
3 PLC	± -
4 PLC	± -
ANGLES	± -

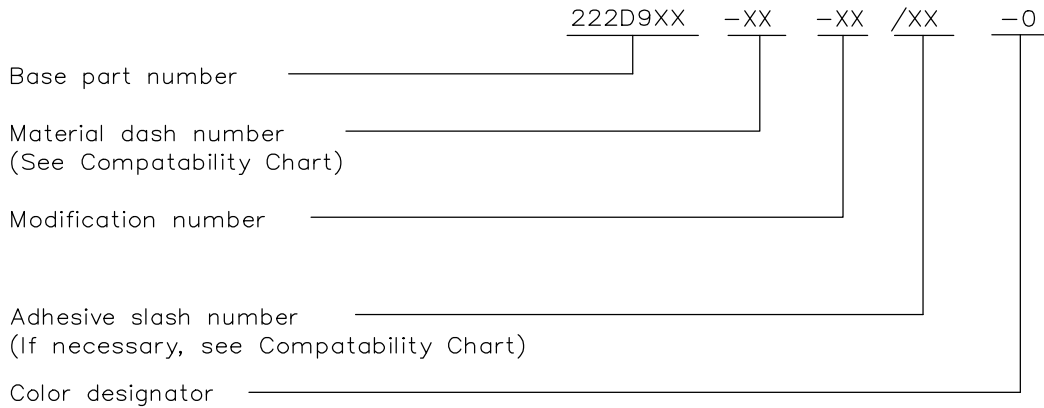


DIMENSIONS: mm [INCHES]	DWN PRAVEEN N T 28JAN2019	MATERIAL SEE SHEET 2	FINISH -
TOLERANCES UNLESS OTHERWISE SPECIFIED:	CHK N NAGAR 28JAN2019	TE Connectivity Ltd.	
	APVD M TAYLOR 28JAN2019		
PRODUCT SPEC	NAME	BOOT, 90 DEGREE, WITH LIP	
APPLICATION SPEC	SIZE	CAGE CODE	DRAWING NO
WEIGHT	A4	00779	222D921-XX-0THRU963-XX-0
CUSTOMER DRAWING	RESTRICTED TO	SCALE	SHEET
	-	DNS	1 OF 2
			REV J

REVISIONS				
P	LTR	DESCRIPTION	DATE	APVD
	-	SEE SHEET 1	-	-

COMPATABILITY CHART				
MATERIAL DASH NO.	MATERIAL DESCRIPTION	RT SPEC	COATING SLASH NO.	COATING S NO.
-3	Polyolefin, Semi-rigid	RT-301	/42;/86;/180	S1017;S1048;S1030
-4	Polyolefin, Flexible	RT-1304	/42;/86;/180	S1017;S1048;S1030
-12	Fluoroelastomer, Flexible	RT-1312	N/A	N/A
-25	Elastomer, Fluid Resistant	RW-2070	/42;/86;/225	S1017;S1048;S1206
-100	Polyolefin, Semi-flexible ZEROHAL	RW-2082	/86;/180	S1048;S1030

ORDERING INFORMATION




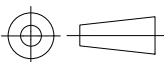
NOTES

- Dimensions appearing in table are as follows:
 - a - As Supplied
 - b - After Unrestricted Recovery
- Coating is optional. As supplied dimensions appearing in table are for uncoated parts. When coating is added, entry diameters will be reduced by 1.5mm[.06] max.
- Molding ports are optional. When -00 modification number is specified molding ports will be located as shown.

RELEASED FOR PUBLICATION

ALL RIGHTS RESERVED.

© COPYRIGHT - TE Connectivity Ltd.

DIMENSIONS: mm [INCHES]	DWN PRAVEEN N T 28JAN2019	MATERIAL -	FINISH -
	CHK N NAGAR 28JAN2019	 TE Connectivity Ltd.	
TOLERANCES UNLESS OTHERWISE SPECIFIED:	APVD M TAYLOR 28JAN2019		
0 PLC ± -	PRODUCT SPEC -	SIZE A4	CAGE CODE 00779
1 PLC ± -	APPLICATION SPEC -	DRAWING NO C- 222D921-XX-0THRU963-XX-0	RESTRICTED TO -
2 PLC ± -			
3 PLC ± -			
4 PLC ± -			
ANGLES ± -	WEIGHT		
	CUSTOMER DRAWING		
	SCALE DNS	SHEET 2 of 2	REV J

Mouser Electronics

Authorized Distributor

Click to View Pricing, Inventory, Delivery & Lifecycle Information:

[TE Connectivity:](#)

[607947-000](#)