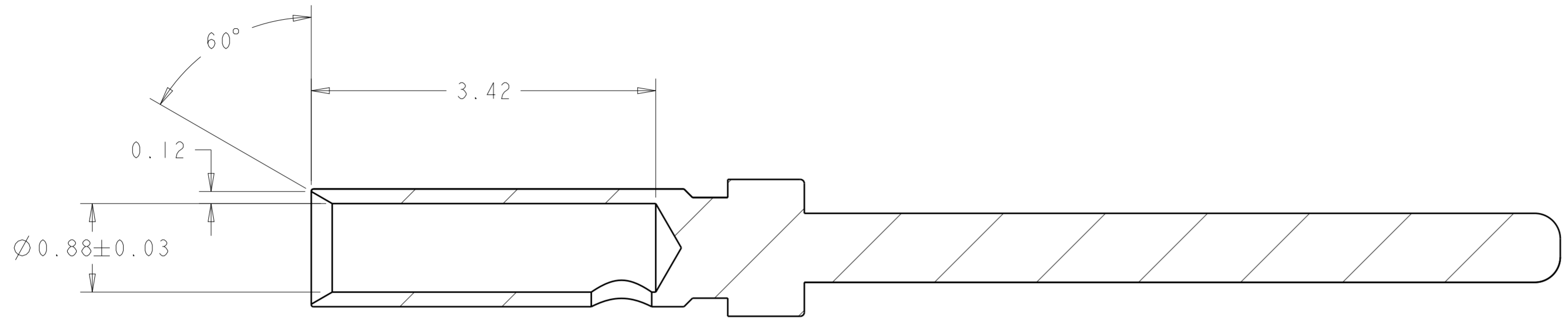
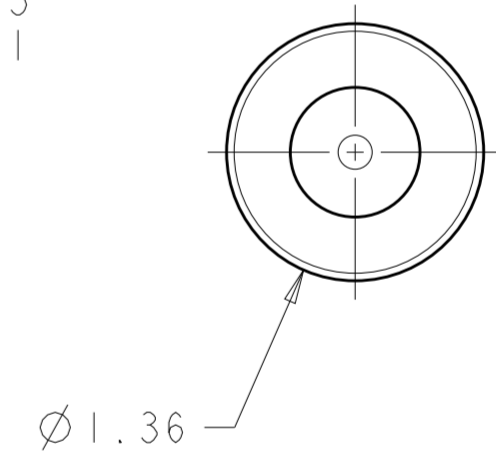
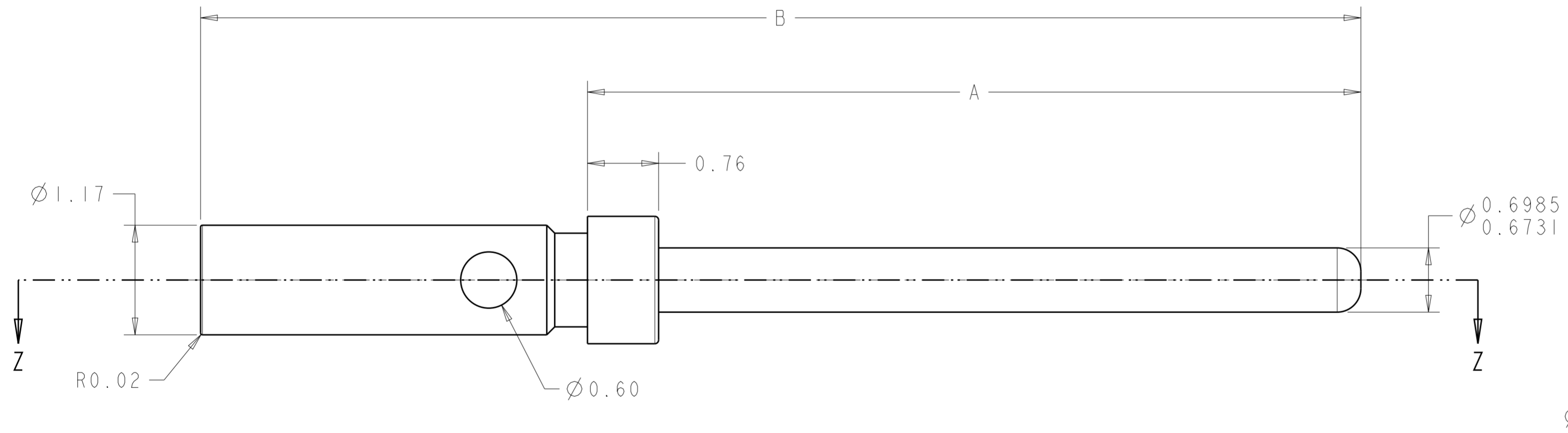


THIS DRAWING IS UNPUBLISHED. RELEASED FOR PUBLICATION 20
 © COPYRIGHT 20 BY - ALL RIGHTS RESERVED.

REVISIONS				
P	LTR	DESCRIPTION	DATE	APVD
A		RELEASED PER ECO 16-000564	1-28-16	CT DM



SECTION Z-Z



- 1 MATERIAL: COPPER ALLOY.
- 2 FINISH: 1.27µm GOLD PER ASTM B488 TYPE II CODE C CLASS 1.25 OVER 2.54µm NICKEL PER QQ-N-290 CLASS 2.

6.008	12.40	46.556	8.265	2226913-2
5.600	11.40	44.258	7.265	2226913-1
VOLUME	B	AREA	A	PART NO

THIS DRAWING IS A CONTROLLED DOCUMENT.		DWN L.SIPE 04FEB2014	TE Connectivity	
DIMENSIONS: mm		CHK C.YI 14FEB2014		
TOLERANCES UNLESS OTHERWISE SPECIFIED:		APVD -	NAME PIN CONTACT, SIZE 23, NETT WARRIOR	
0 PLC ±-		PRODUCT SPEC -	SIZE A2	
1 PLC ±-		APPLICATION SPEC -	CAGE CODE -	
2 PLC ±0.05		WEIGHT -	DRAWING NO C-2226913	
3 PLC ±0.025		CUSTOMER DRAWING	RESTRICTED TO -	
4 PLC ±-		SCALE 25:1	SHEET OF REV A	
ANGLES ±-				
FINISH				

Mouser Electronics

Authorized Distributor

Click to View Pricing, Inventory, Delivery & Lifecycle Information:

[TE Connectivity:](#)

[2226913-2](#)