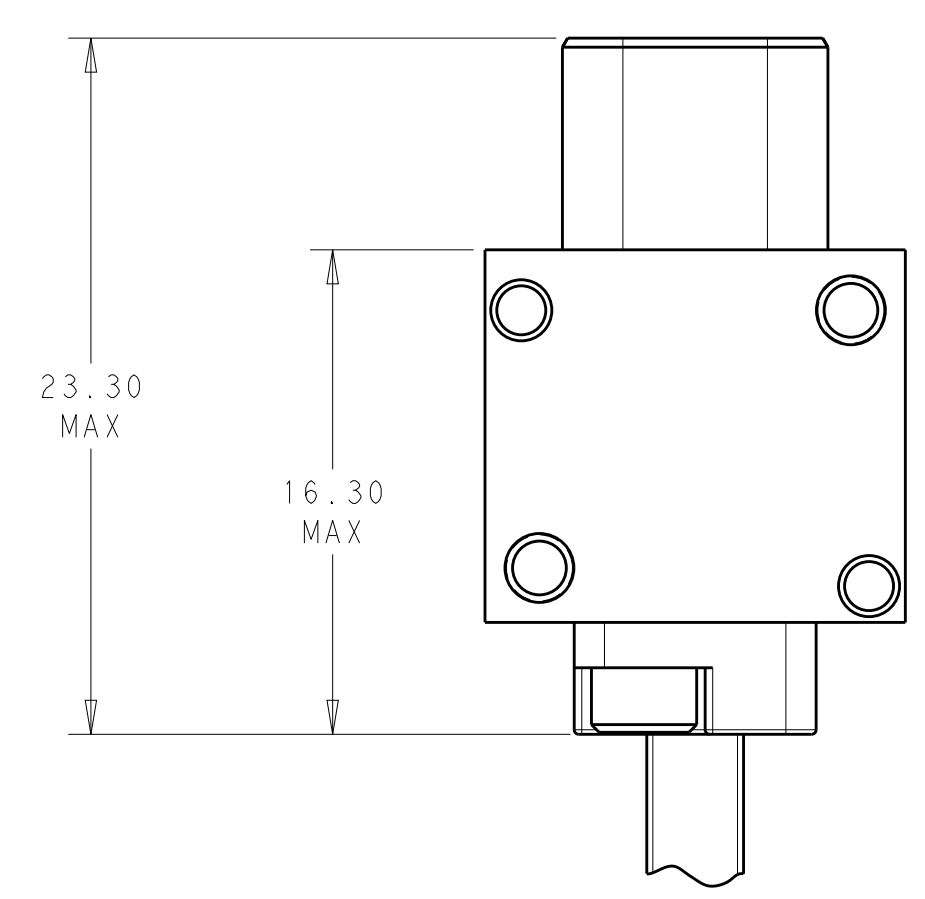
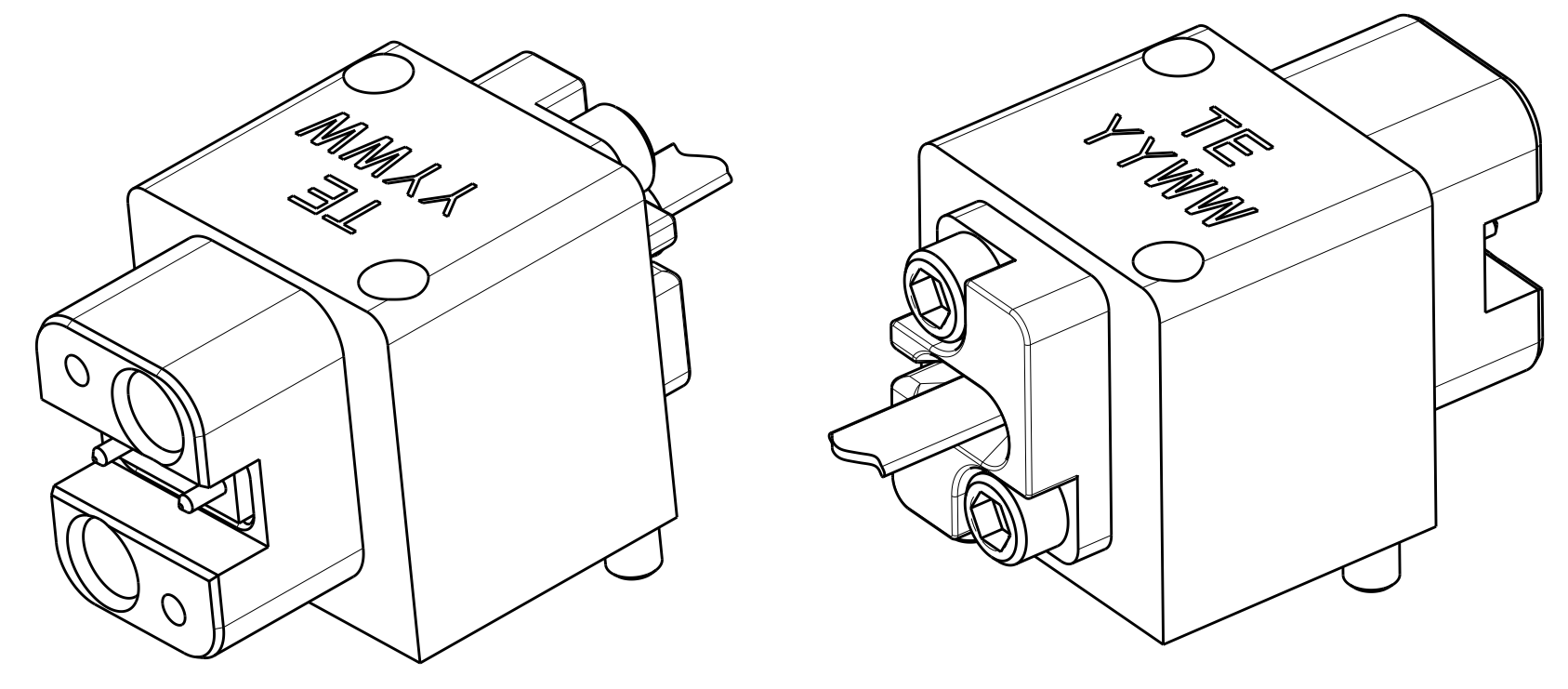
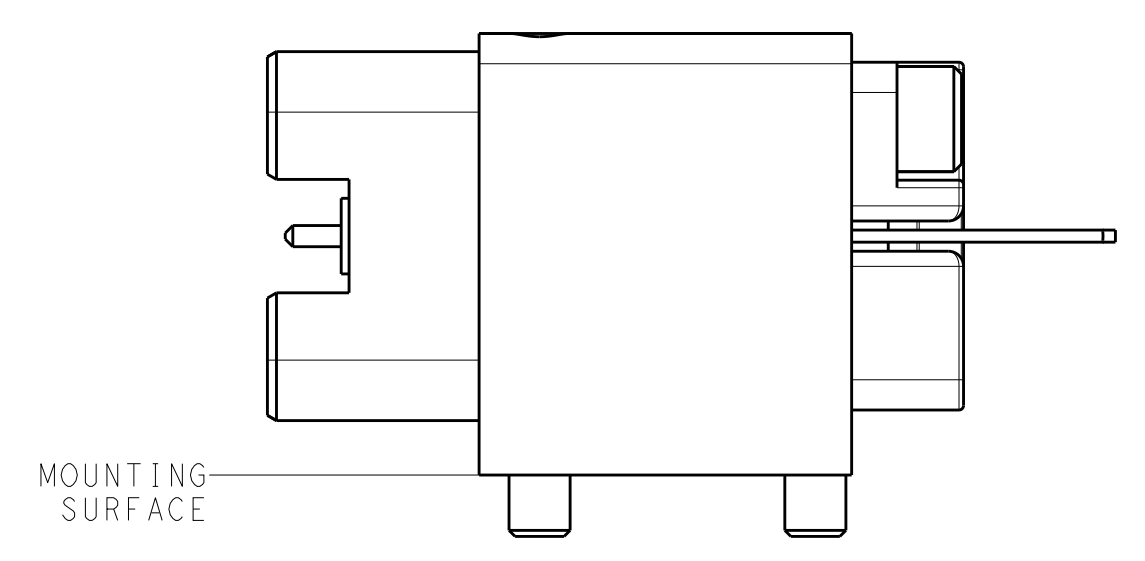
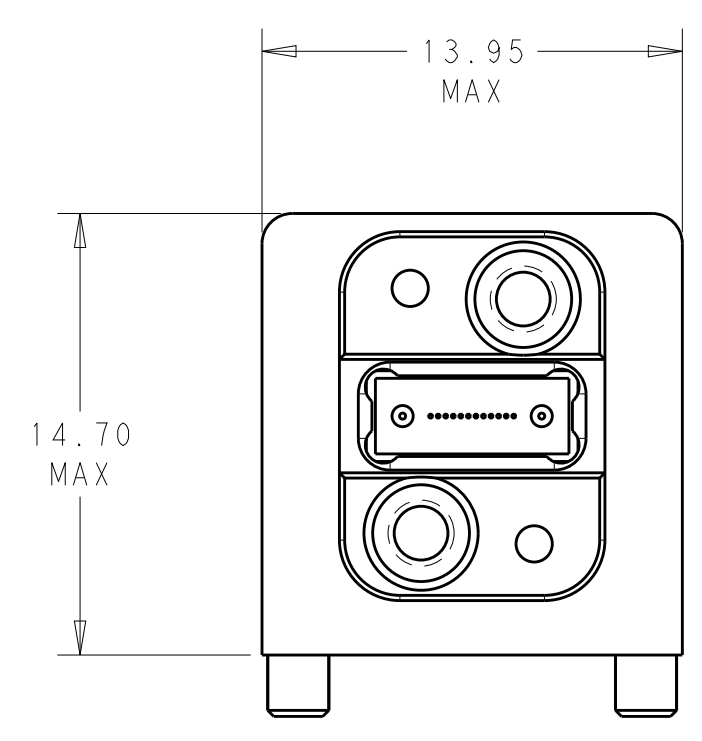
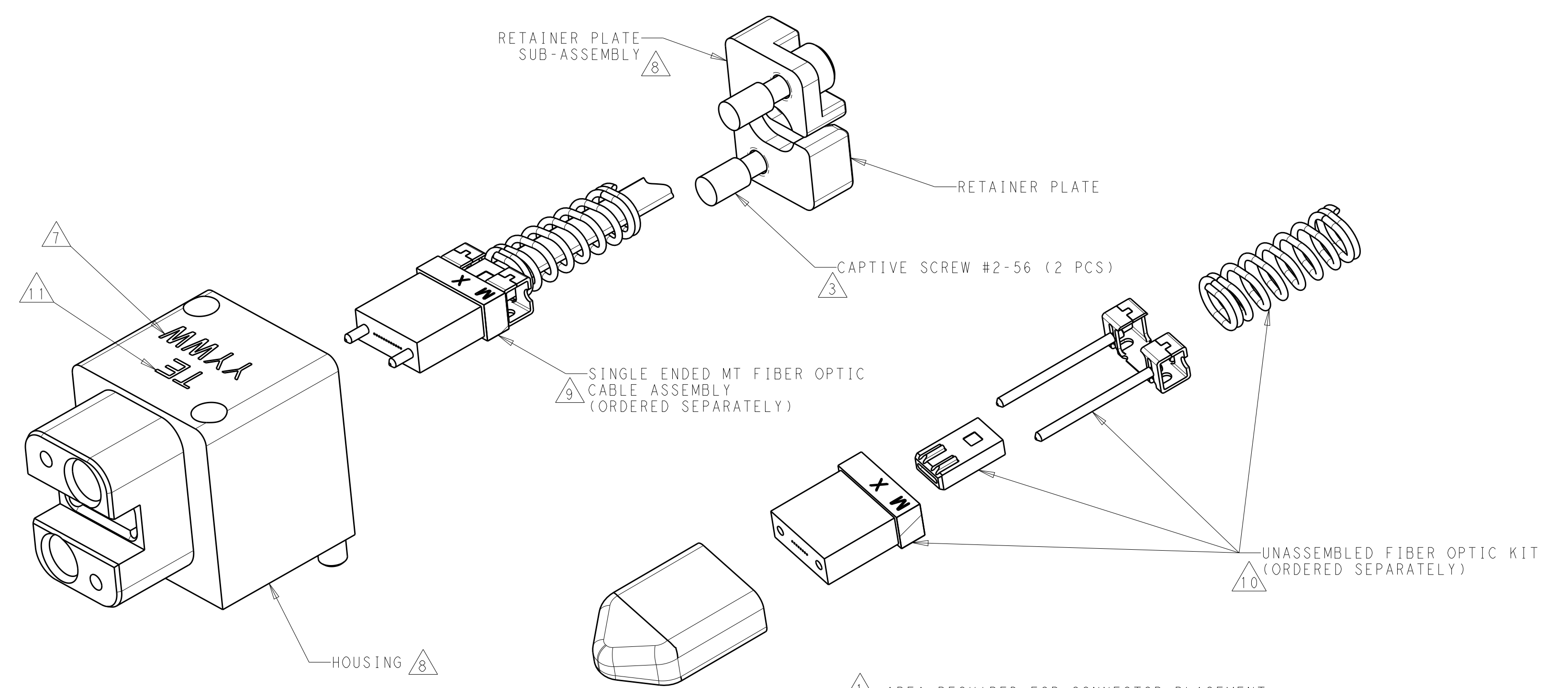


REVISIONS				
P.	LTN	DESCRIPTION	DATE	DWN APVD
5		REMOVED PRELIMINARY	21MAY2015	DF JM
A		ECO-15-012943	23SEP2015	KG DW

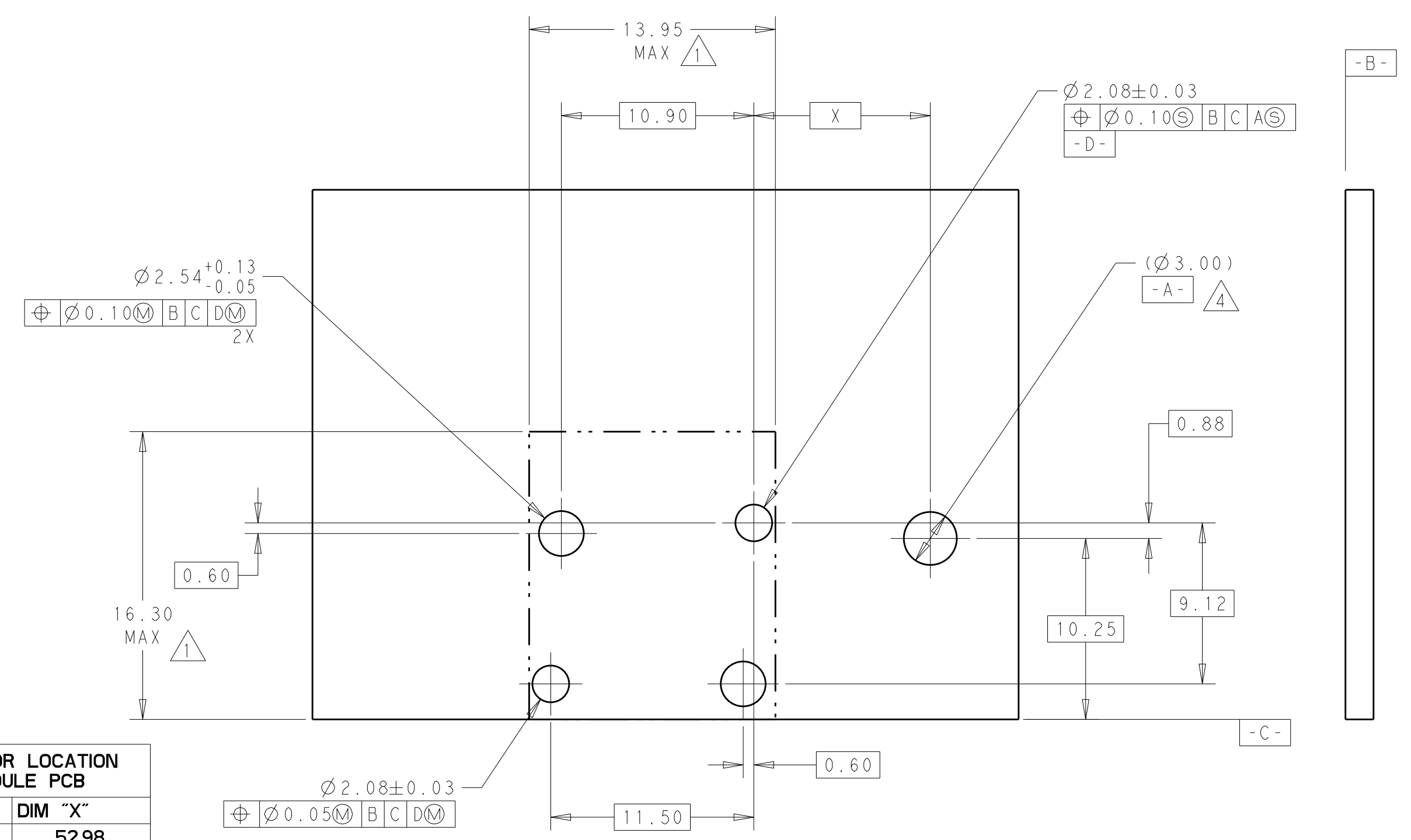


ASSEMBLED VIEW

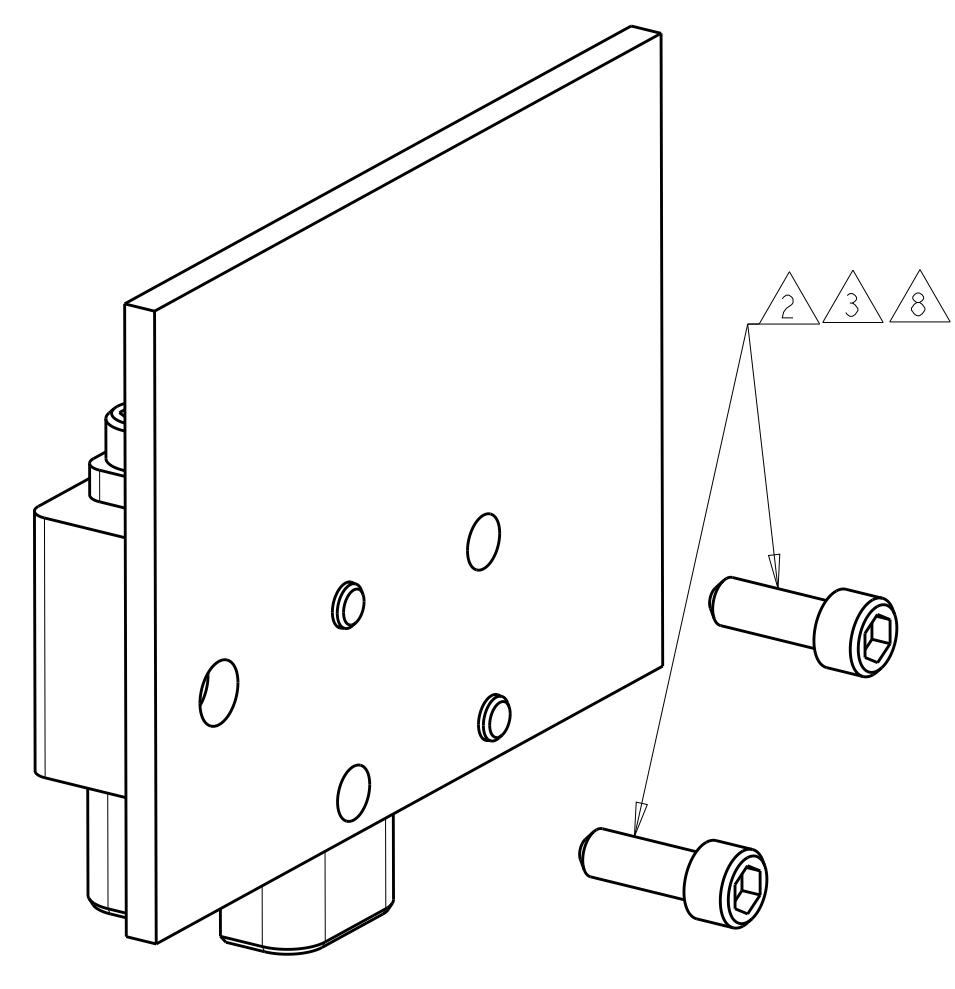


EXPLODED VIEW

- 1 AREA REQUIRED FOR CONNECTOR PLACEMENT.
- 2 2-56 X 3/8" SCREWS WITH A PRE-APPLIED NYLOK PATCH ARE INCLUDED FOR PC-BOARD MOUNTING. IF A PC-BOARD THICKER THAN 5.8mm IS USED LONGER SCREWS ARE REQUIRED.
- 3 RECOMMENDED TORQUE: 0.23-0.34 N-m [2-3 in-lb].
- 4 DATUM -A- REFERENCE PER ANSI/VITA 46.0-2007, APPENDIX C.
- 5 HOUSING AND RETAINER PLATE: ALUMINUM ALLOY 6061 PER ASTM B209, OR ASTM B221. CAPTIVE SCREWS AND SHCS: STAINLESS STEEL, 300 SERIES.
- 6 HOUSING AND RETAINER PLATE: CLEAR CHROMATE CONVERSION COATING. CAPTIVE SCREWS AND SHCS: PASSIVATED.
- 7 DATE CODE: YEAR AND WEEK (YYWW).
- 8 PLUG CONNECTOR (PLUG-IN MODULE) KIT, (UNASSEMBED) CONSISTS OF THE FOLLOWING ITEMS: RETAINER PLATE SUB-ASSEMBLY (QTY 1), HOUSING (QTY 1) AND 2-56 X 3/8 IN SCREWS (QTY 2).
- 9 SINGLE-ENDED (PIGTAIL) MT FIBER OPTIC CABLE ASSEMBLY, CONTAINS: MT FERRULE, MINI-BOOT, FERRULE COVER, PIN HOLDER, SPRING AND RIBBON CABLE (ORDERED SEPARATELY, 1938401-2)
- 10 MT FERRULE KIT (UNASSEMBLED) CONTAINS: MT FERRULE, MINI-BOOT, FERRULE COVER, PIN HOLDER AND SPRING (ORDERED SEPARATELY, 2102866-2)
- 11 TE CONNECTIVITY PRODUCT IDENTIFIER.



RECOMMENDED PLUG-IN MODULE FOOTPRINT



MODULE MOUNTING DETAIL

CONNECTOR LOCATION ON MODULE PCB	
POSITION	DIM "X"
P2A	52.98
P2B	67.10
P3A	95.85
P3B	109.97
P4A	124.65
P4B	138.77
P5A	153.45
P5B	167.57
P6A	182.25
P6B	196.37

2226881-1  
PART NUMBER

THIS DRAWING IS A CONTROLLED DOCUMENT.		DWN: D. FABIAN 17JAN2014		
DIMENSIONS: mm		TOLERANCES UNLESS OTHERWISE SPECIFIED:	NAME: CONNECTOR KIT PLUG (MODULE) FIBER OPTIC, MT, VITA 66.4	
0 PLC	±	0.13	PRODUCT SPEC	108-2467-1
1 PLC	±	0.13	APPLICATION SPEC	114-32144
2 PLC	±	0.13	SIZE	A1
3 PLC	±	0.13	CAGE CODE	2226881
4 PLC	±	0.13	DRAWING NO	Customer Drawing
ANGLES	±	0.13	SCALE	4:1
FINISH	±	0.13	SHEET	1 OF 1
MATERIAL		WEIGHT	REV A	

# Mouser Electronics

Authorized Distributor

Click to View Pricing, Inventory, Delivery & Lifecycle Information:

[TE Connectivity:](#)

[2226881-1](#)