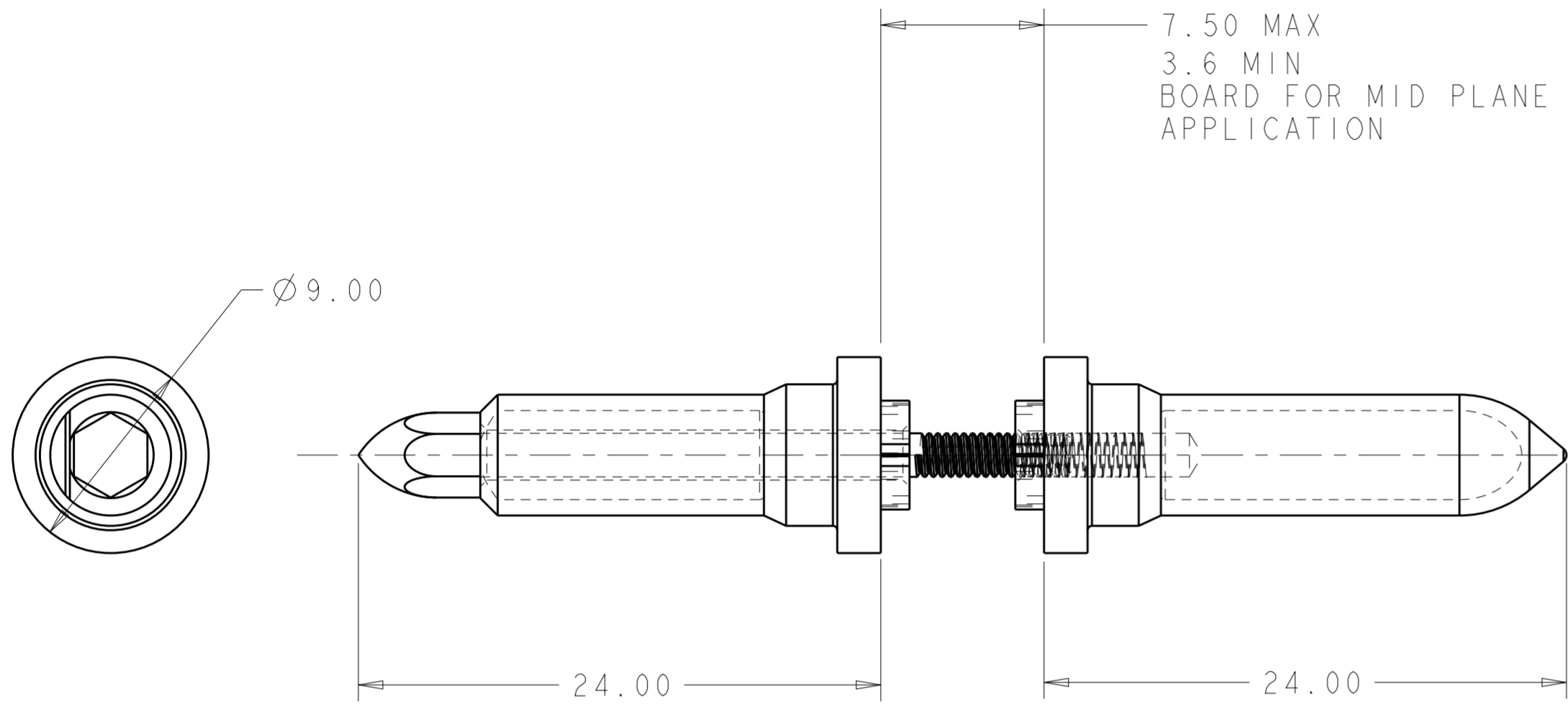
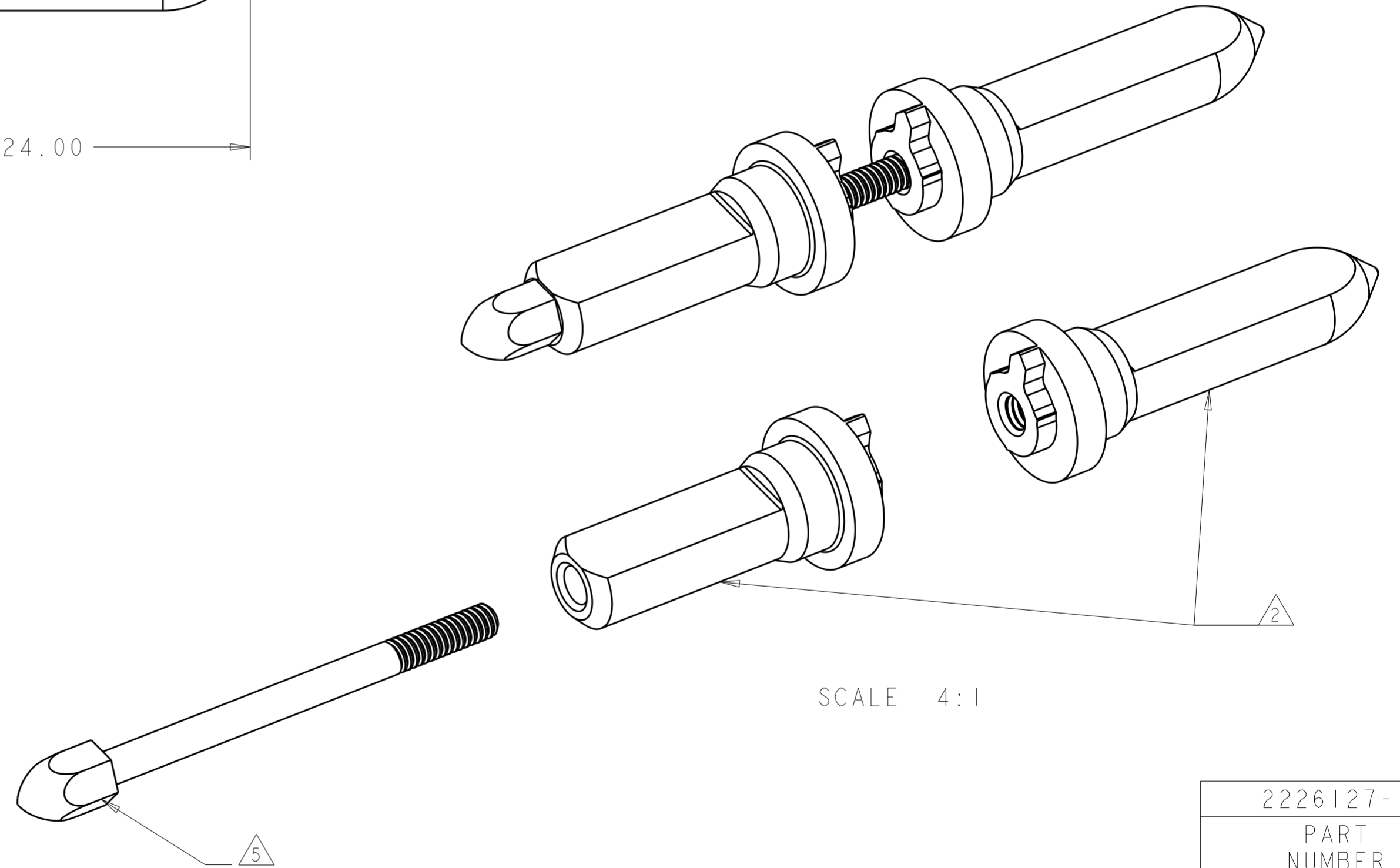


THIS DRAWING IS UNPUBLISHED. RELEASED FOR PUBLICATION 20
 © COPYRIGHT 20 BY TE CONNECTIVITY ALL RIGHTS RESERVED.

LOC		DIST		REVISIONS			
P	LTR	DESCRIPTION	DATE	DWN	APVD		
-	-	A	RELEASED PER ECO 13-012017	8-2-13	CT	DH	



- 1 MATERIAL: STAINLESS STEEL (303)
- 2 GUIDE PIN FINISH: PASSIVATED
- 3 KEY HOLE ORIENTATION (DIM A) PER MATING GUIDE MODULE PART NUMBER TABLE (ORIENTATION SHOWN ON PCB LAYOUT IS FOR 1-2000677-2, 2-2000677-2, OR 2000713-2)
- 4 ANNULAR RING PLATED AROUND GUIDE PIN MOUNTING HOLE ON TOP AND BOTTOM SIDE OF BOARD
- 5 GUIDE PIN RETAINER FINISH: 3.81µm MINIMUM SILVER OVER NICKEL
- 6. 4.0 IN-LBS MAXIMUM TORQUE



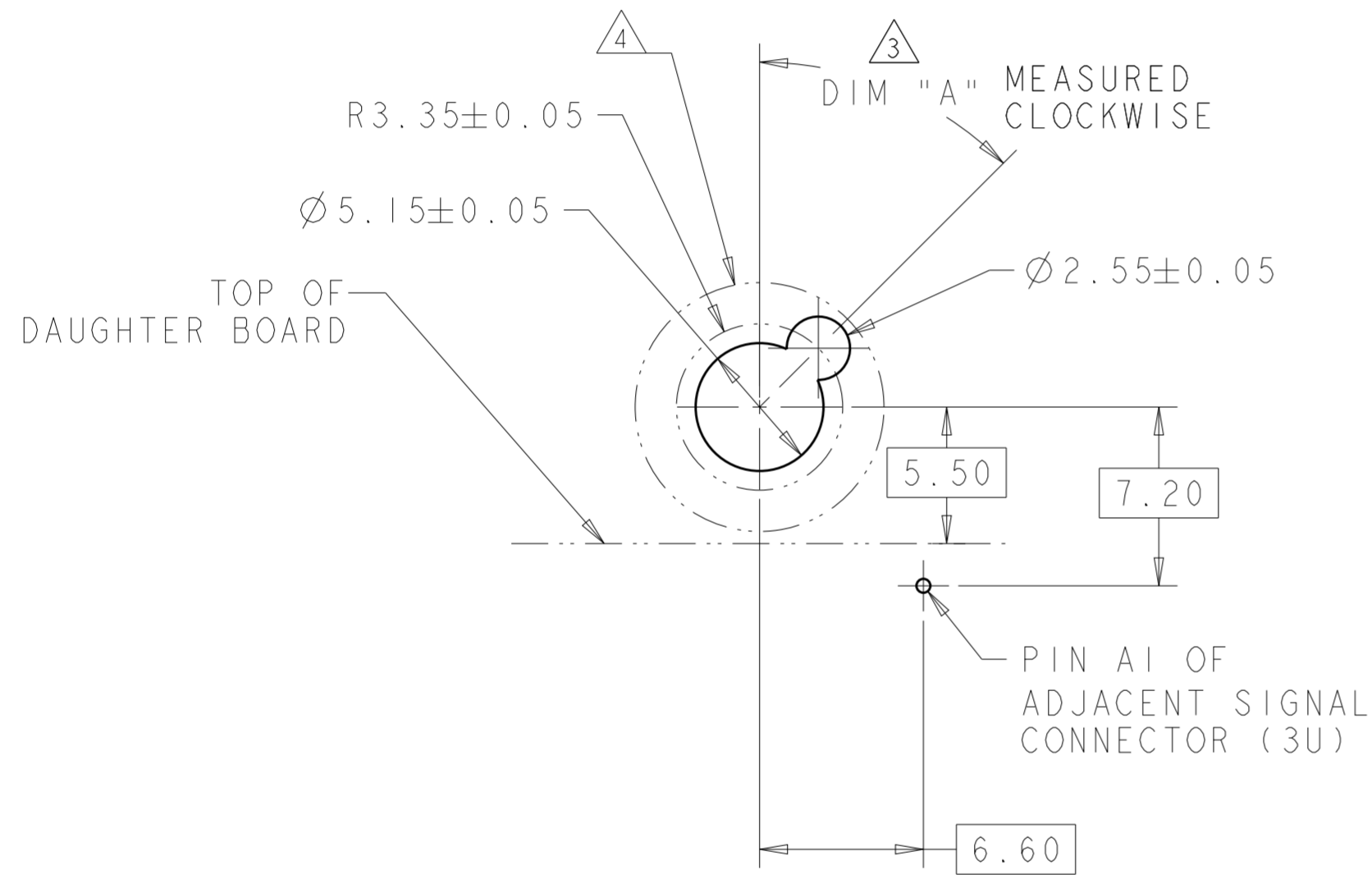
SCALE 4:1

2226127-1
PART NUMBER

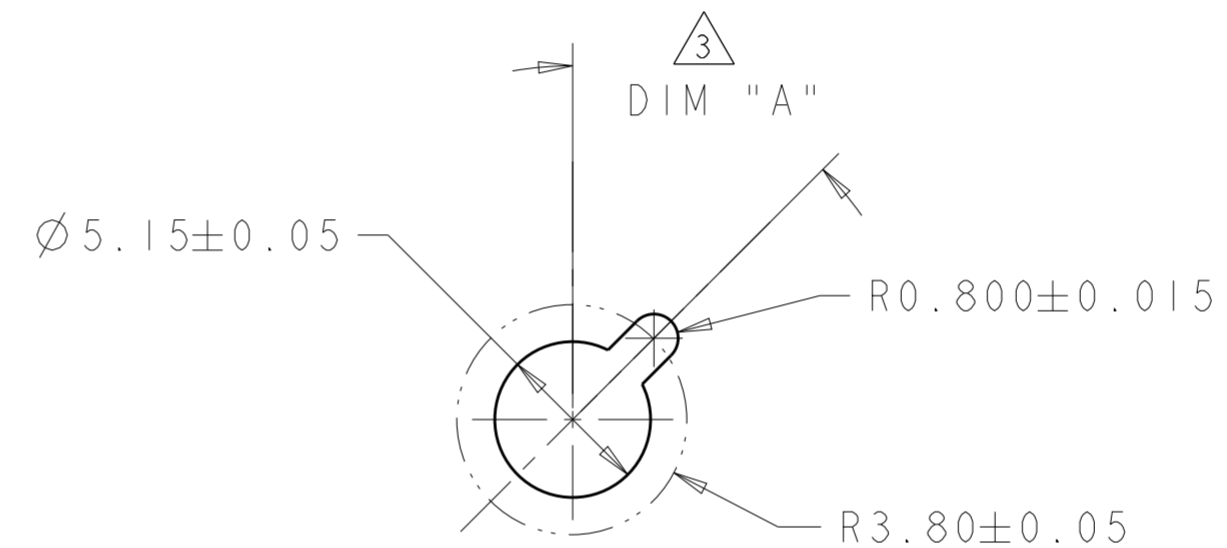
THIS DRAWING IS A CONTROLLED DOCUMENT.		DWN K. MILLER 30 JUL 2012	TE Connectivity	
DIMENSIONS:		CHK N. RUFFINI 01 AUG 2012		
TOLERANCES UNLESS OTHERWISE SPECIFIED:		APVD M. MCALONIS 01 AUG 2012	NAME KEYED GUIDE PIN KIT ASSEMBLY	
mm		PRODUCT SPEC 108-2072	VITA 46, BACKPLANE CONNECTOR,	
0 PLC ±-		APPLICATION SPEC 114-13056	MULTIGIG, THREADED POST, MACHINED	
1 PLC ±0.5		WEIGHT -	SIZE A2	CAGE CODE 00779
2 PLC ±0.13		CUSTOMER DRAWING	DRAWING NO C-2226127	RESTRICTED TO -
3 PLC ±0.013		SCALE 4:1	SHEET 1	OF 2
4 PLC ±-			REV A	
ANGLES ±-				
FINISH				

THIS DRAWING IS UNPUBLISHED. RELEASED FOR PUBLICATION 20
 © COPYRIGHT 20 BY TE CONNECTIVITY ALL RIGHTS RESERVED.

LOC	DIST	REVISIONS			
P	LTR	DESCRIPTION	DATE	DWN	APVD
-	-	SEE SHEET 1	-	-	-



TIER 2
 GUIDE PIN FOOTPRINT
 (20.3mm SIGNAL MODULES)
 SCALE 4:1



ALTERNATE PCB LAYOUT
 FOR GUIDE POST
 SCALE 4:1

W/O ESD SPRING	NO KEY	2-2000677-9
W/O ESD SPRING	315°	2-2000677-8
W/O ESD SPRING	270°	2-2000677-7
W/O ESD SPRING	90°	2-2000677-3
W/O ESD SPRING	45°	2-2000677-2
W/O ESD SPRING	0°	2-2000677-1
W/O ESD SPRING	0°	2-2000677-0
W/O ESD SPRING	NO KEY	1-2000677-9
W/O ESD SPRING	315°	1-2000677-8
W/O ESD SPRING	270°	1-2000677-7
W/O ESD SPRING	90°	1-2000677-3
W/O ESD SPRING	45°	1-2000677-2
W/ESD SPRING	NO KEY	2000713-6
W/ESD SPRING	315°	2000713-5
W/ESD SPRING	270°	2000713-4
W/ESD SPRING	90°	2000713-3
W/ESD SPRING	45°	2000713-2
W/ESD SPRING	0°	2000713-1
ESD SPRING	DIM A	20.3mm GUIDE MODULE

MATING GUIDE MODULE

THIS DRAWING IS A CONTROLLED DOCUMENT.		DWN K. MILLER 30 JUL 2012	TE Connectivity	
DIMENSIONS: mm		CHK N. RUFFINI 01 AUG 2012		
TOLERANCES UNLESS OTHERWISE SPECIFIED:		APVD M. MCALONIS 01 AUG 2012	NAME KEYED GUIDE PIN KIT ASSEMBLY VITA 46, BACKPLANE CONNECTOR, MULTIGIG, THREADED POST, MACHINED	
0 PLC ±		PRODUCT SPEC 108-2072	RESTRICTED TO	
1 PLC ±0.5		APPLICATION SPEC 114-13056	SIZE A2	CAGE CODE 00779
2 PLC ±0.13		WEIGHT -	DRAWING NO C-2226127	REV A
3 PLC ±0.013		CUSTOMER DRAWING	SCALE 4:1	SHEET 2 OF 2
4 PLC ±				
ANGLES ±				
FINISH				

Mouser Electronics

Authorized Distributor

Click to View Pricing, Inventory, Delivery & Lifecycle Information:

[TE Connectivity:](#)

[2226127-1](#)