

CODE 18 - BRAID TAIL BACKSHELL

218M716-19C08

SERIES _____
 ORDER NUMBER (TABLE 1) _____
 MANUFACTURER CODE _____
 SEE TABLE 2
 MATERIAL _____
 REFER TO CH00-0250-004
 FINISH _____
 REFER TO CH00-0250-004 (2)
 ENTRY SIZE (TABLE 2) _____

NOTES:

1. THIS PRODUCT IS DESIGNED TO TERMINATE A HEAT SHRINKABLE LIPPED BOOT TO A CONNECTOR.
- (2) FOR ADDITIONAL DIMENSIONS, ORDERING INFORMATION AND MODIFICATION, SEE CH00-0250-004.
3. BACKSHELL TO BE PERMANENTLY MARKED/BAGGED AND LABELLED WITH CODE IDENTIFICATION NUMBER AND PART NUMBER. (e.g. 06090-218M716-19B08).
- (4) WHEN ENTRY SIZE EXCEEDS "MAX ENTRY", A 2 PIECE BACKSHELL (TYPE 2) IS SUPPLIED.
5. BACKSHELL MATES TO MIL-DTL-5015D, CLASS A, E & R, MS3100, MS3101 & MS3106. RESILIENT INSERT, SOLDER TYPE AND BENDIX 10-214, CANNON CA-RX COMMERCIAL CRIMP TYPE (LESS ENDBELL).
6. BRAID TERMINATION RING MAY BE SUPPLIED AS TINEL-LOCK SHAPE MEMORY RING AT MANUFACTURERS OPTION.
- (7) ALL THREAD SIZES FOR ORDER NO. APPLY.
- (8) ADDITIONAL PIECE(S) SUPPLIED WHEN CONNECTOR MFR IS UNKNOWN ("D" IN TABLE 3) AND ENTRY SIZE DOES NOT EXCEED VALUE IN TABLE 1.
- (9) ANTI-ROTATIONAL SET SCREW, THREE #4-40 THREADED HOLES 120° APART, SINGLE MATING SET SCREW SUPPLIED.

DRAWN	K.WINCZURA	DATE 24/06/2015		3RD ANGLE PROJECTION NOT TO SCALE	TITLE:	 Polamco 		
CHECKED		24/06/2015			BRAID TAIL BACKSHELL			
APPROVED	K.SHEPPARD	01/07/2015	UNLESS OTHERWISE SPECIFIED ALL DIMENSIONS IN MILLIMETRES GENERAL TOL LINEAR +/-0.25MM ANGULAR +/- 1°		ASSY USED ON:			
APPROVED	H.SMITH	21/10/2015			MIL-DTL-5015D			
REVISIONS								
LTR	DESCRIPTION	DATE	APPROVED					
D	REVISED PER ECO-15-014373	06/10/2015	H.SMITH					
E	REVISED PER ECO-15-015098	21/10/2015	H.SMITH					
TE CAGE CODE: 06090 POLAMCO/TE CAGE CODE: U5792					TE CONNECTIVITY - POLAMCO LTD RESERVES THE RIGHT TO AMEND THIS DRAWING AND THE INFORMATION SET FORTH HEREON AT ANY TIME. USERS SHOULD INDEPENDENTLY EVALUATE THE SUITABILITY OF THE PRODUCT FOR THEIR APPLICATION.	DRAWING NO: 218M7XX	DRAWING REV: E	SHT 1

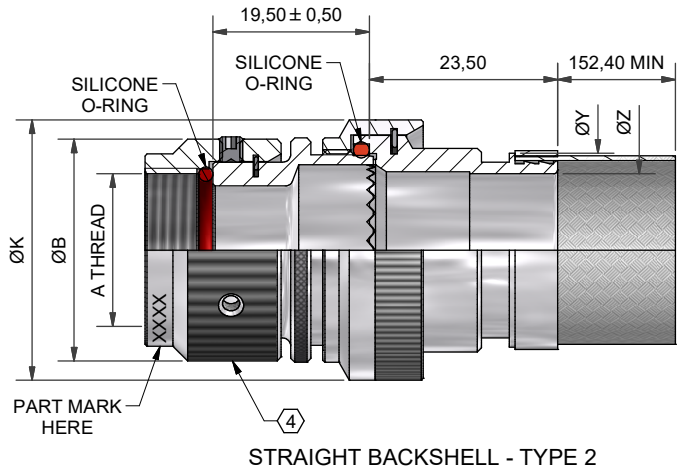
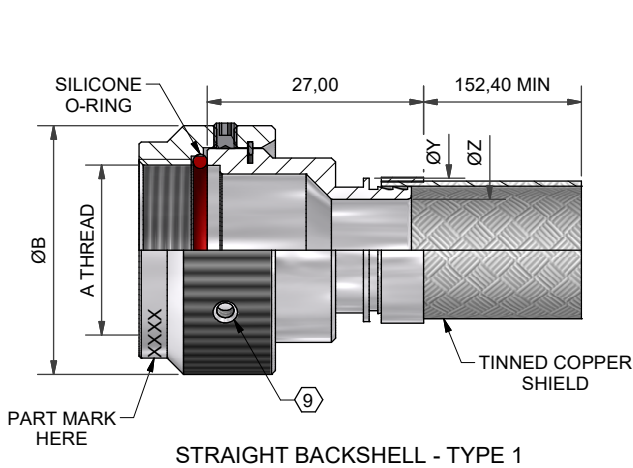


TABLE 1

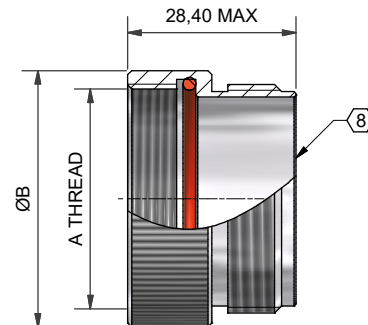
BASE PART NUMBER	SHELL SIZE	MFR CODE TABLE 3	MAX ENTRY (4)	A THREAD	ØB MAX
218M708	8S	B	04	3/8-32 UNEF	18,5
	8S	C	04	7/16-28 UNEF	18,1
	8S	A, R	04	7/16-27 UNS	18,5
	8S	D (8)	04	(7)	18,5
218M710	10S	-	06	1/2-28 UNEF	19,8
	10SL	C	07	9/16-24 UNEF	21,6
218M711	10SL	A, B, R	07	5/8-24 UNEF	23,2
	10SL	D (8)	07	(7)	23,2
	12 & 12S	B, C	08	5/8-24 UNEF	23,0
218M712	12 & 12S	A, R	08	11/16-24 UNEF	24,9
	12 & 12S	D (8)	08	(7)	24,9
	218M714	14 & 14S	-	3/4-20 UNEF	27,7
218M716	16 & 16S	-	7/8-20 UNEF	30,1	
218M718	18	-	13	1-20 UNEF	34,4
218M720	20	A, B, C	16	1 1/8-18 UNEF	37,6
	20	R	16	1 1/8-24 UNS	37,6
	20	D (8)	16	(7)	37,6
218M722	22	-	18	1 1/4-18 UNEF	40,6
218M724	24	-	20	1 3/8-18 UNEF	43,6
218M728	28	-	24	1 5/8-18 UNEF	48,6
218M732	32	B, C	24	1 7/8-16 UN	54,9
	32	A, R	24	1 29/32-18 UN	54,9
	32	D (8)	24	(7)	54,9
218M736	36	B	28	2 1/16-16 UNS	64,6
	36	R	28	2 1/16-20 UNS	64,6
	36	C	28	2 1/8-16 UN	64,6
	36	A	28	2 1/8-18 UNS	64,6
	36	D (8)	28	(7)	64,6
218M740	40	B	28	2 5/16-16 UN	70,6
	40	A, C, R	28	2 3/8-16 UN	70,6
	40	D (8)	28	(7)	69,3
218M744	44	-	28	2 5/8-16 UN	82,0
218M748	48	C	28	2 13/16-18 UNS	82,0
	48	A, R	28	2 7/8-16 UN	82,0
	48	D (8)	28	(7)	82,0

TABLE 2

ENTRY SIZE	ØZ REF	ØY REF	ØK MAX
03	4,77	13,1	NA
04	6,35	13,1	NA
05	7,92	13,1	21,0
06	9,52	17,9	21,0
07	11,12	17,9	21,0
08	12,70	17,9	24,5
09	14,27	17,9	24,5
10	15,87	24,2	29,0
11	17,47	24,2	32,5
12	19,05	24,2	32,5
13	20,62	24,2	35,5
14	22,23	30,6	35,5
15	23,82	30,6	37,0
16	25,40	30,6	37,0
17	26,98	33,2	40,0
18	28,60	33,2	40,0
20	31,80	42,0	43,5
21	33,34	42,0	48,5
22	35,00	42,0	48,5
24	38,10	42,0	52,1
28	44,45	49,0	58,5

TABLE 3

MFR CODE	CONNECTOR MANUFACTURER (MS 3100, MS 3101 & MS 3106)
A	AMPHENOL - CLASS A
B	BENDIX - CLASS A, E & R
C	CANNON - CLASS A, E & R
D	MFR UNKNOWN, CLASS A, E & R
R	AMPHENOL - CLASS R
-	MFR CODE NOT REQUIRED



DRAWN	K.WINCZURA	DATE	24/06/2015
CHECKED		DATE	24/06/2015
APPROVED	K.SHEPPARD	DATE	01/07/2015
APPROVED	H.SMITH	DATE	21/10/2015



3RD ANGLE PROJECTION NOT TO SCALE

UNLESS OTHERWISE SPECIFIED ALL DIMENSIONS IN MILLIMETRES
GENERAL TOL
LINEAR +/-0,25MM
ANGULAR +/- 1°

REVISIONS

LTR	DESCRIPTION	DATE	APPROVED
D	REVISED PER ECO-15-014373	06/10/2015	H.SMITH
E	REVISED PER ECO-15-015098	21/10/2015	H.SMITH

TITLE:

BRAID TAIL BACKSHELL

ASSY USED ON:

MIL-DTL-5015D

TE CONNECTIVITY - POLAMCO LTD RESERVES THE RIGHT TO AMEND THIS DRAWING AND THE INFORMATION SET FORTH HEREON AT ANY TIME. USERS SHOULD INDEPENDENTLY EVALUATE THE SUITABILITY OF THE PRODUCT FOR THEIR APPLICATION.

DRAWING NO:
218M7XX

DRAWING REV:
E

SHT
2

TE CAGE CODE: 06090
POLAMCO/TE CAGE CODE: U5792



Mouser Electronics

Authorized Distributor

Click to View Pricing, Inventory, Delivery & Lifecycle Information:

[TE Connectivity:](#)

[449635-000](#)