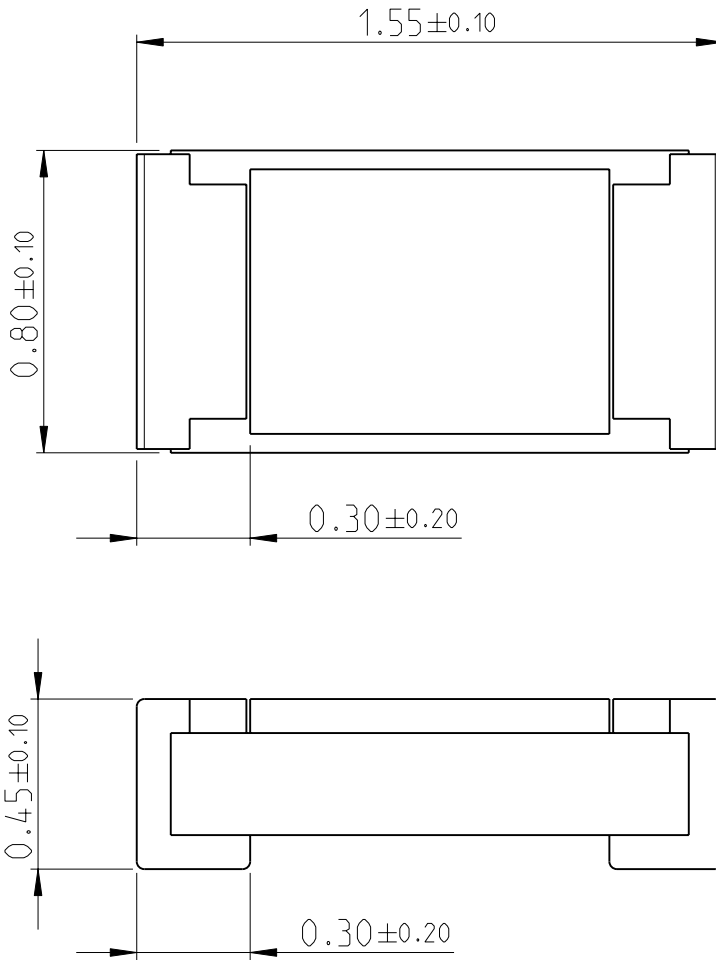
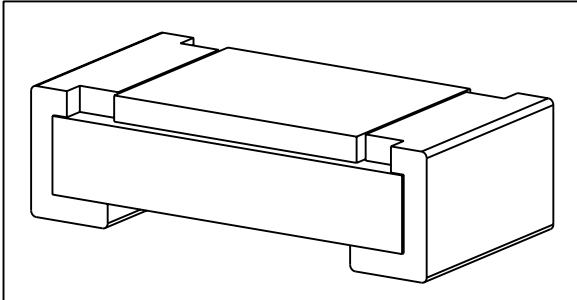


LOC	DIST	REVISIONS					
-	-	P	LTR	DESCRIPTION	DATE	DWN	APVD
		BA		NEW DRAWING	25APR2012	KR	St.P



FOR FURTHER INFORMATION SEE DATA SHEET FOR
SMD HIGH POWER PRECISION RESISTORS - RP73 SERIES

RoHS Compliant



20


RELEASED FOR PUBLICATION

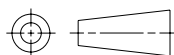
ALL RIGHTS RESERVED.

THIS DRAWING IS UNPUBLISHED.

BY -

© COPYRIGHT 20

DIMENSIONS: mm	DWN	RAGHAVENDRA K	25APR2012	MATERIAL	-	FINISH	-
	CHK	ALLAN P	25APR2012	 TE Connectivity			
TOLERANCES UNLESS OTHERWISE SPECIFIED:	APVD	STEPHEN.P	25APR2012				
	0 PLC	±	PRODUCT SPEC	NAME	HIGH POWER PRECISION CHIP RESISTORS - TYPE RP73P 0603 SERIES		
1 PLC	±0.5	-	APPLICATION SPEC	SIZE	CAGE CODE	DRAWING NO	RESTRICTED TO
2 PLC	±0.13	-	-	A 4	00779	©-2176087	-
3 PLC	±0.013	-	-	SCALE 40:1			SHEET 1 OF 1
4 PLC	±0.0001	-	WEIGHT	0.002 Gram			REV BA
ANGLES	±	-	CUSTOMER DRAWING				



Mouser Electronics

Authorized Distributor

Click to View Pricing, Inventory, Delivery & Lifecycle Information:

[TE Connectivity:](#)

[6-2176087-5](#)