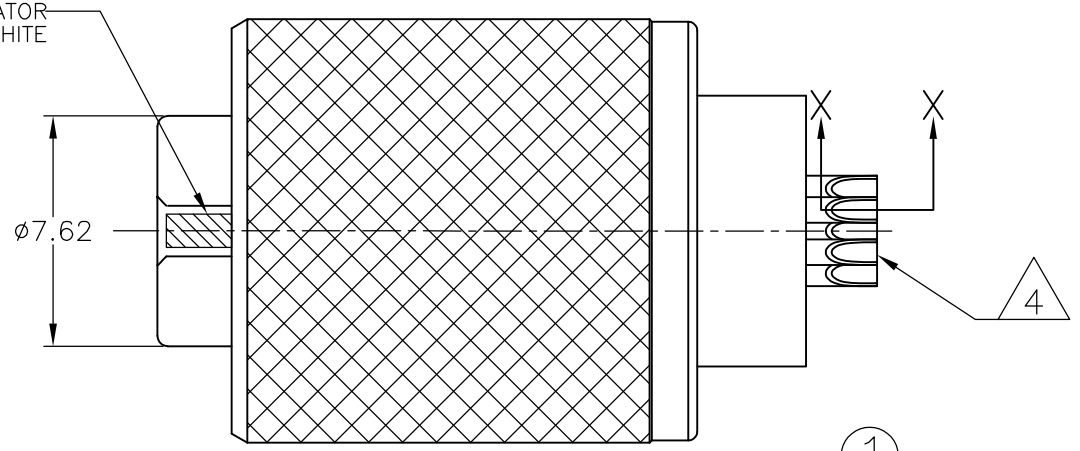
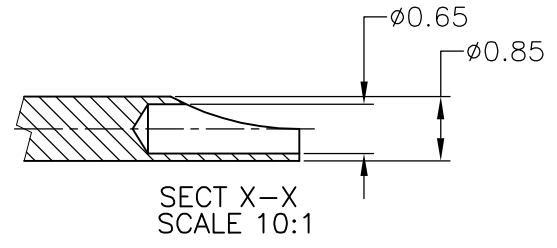


THIS DRAWING IS UNPUBLISHED. RELEASED FOR PUBLICATION FEB ,2012.
 © COPYRIGHT 2012 By Tyco Electronics Japan G.K. ALL RIGHTS RESERVED.

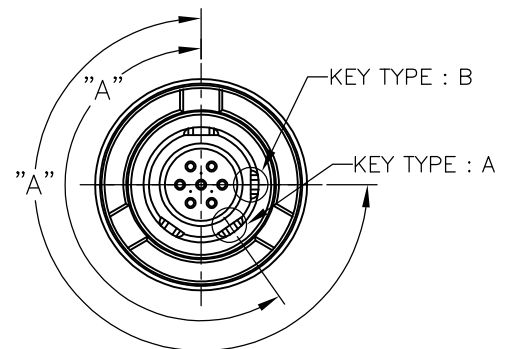
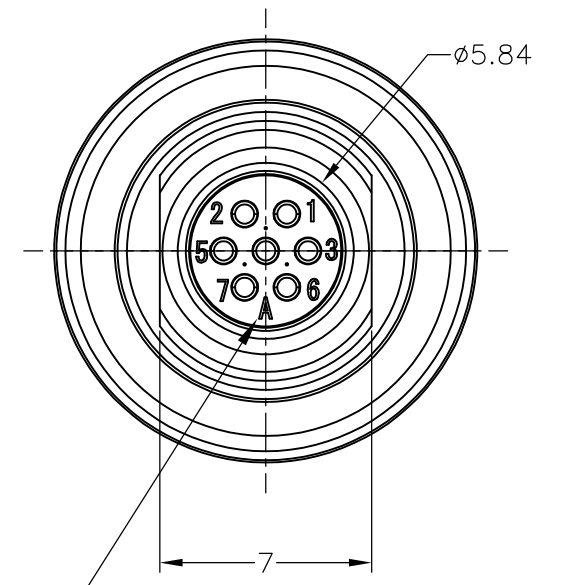
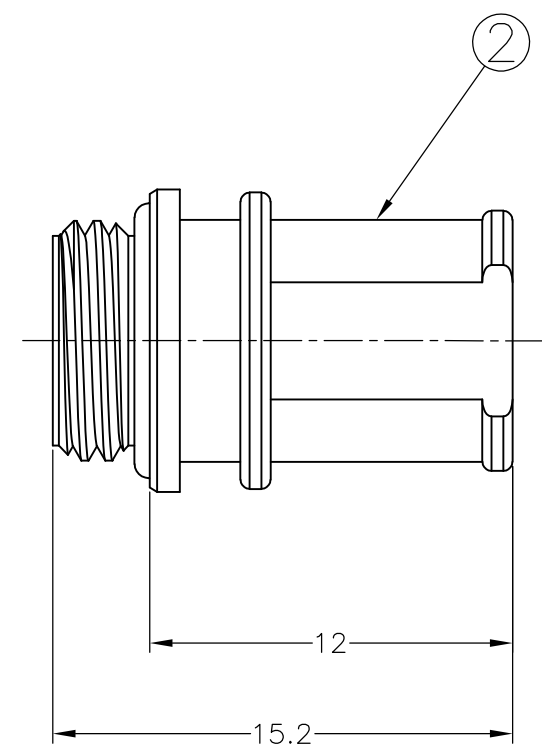
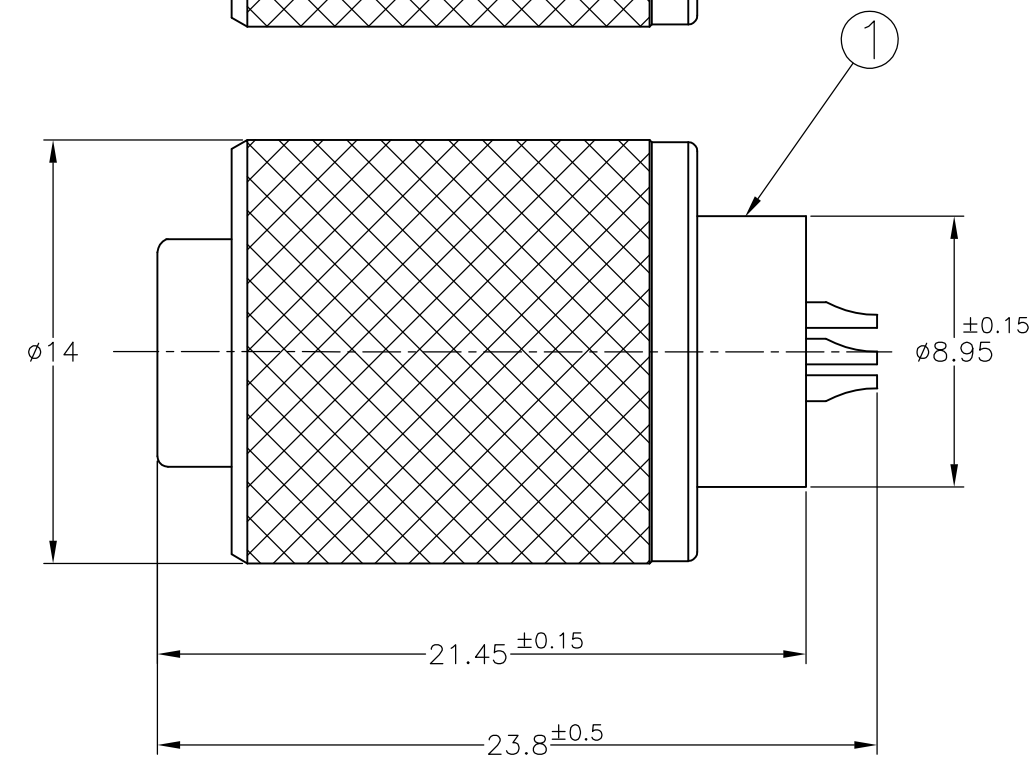
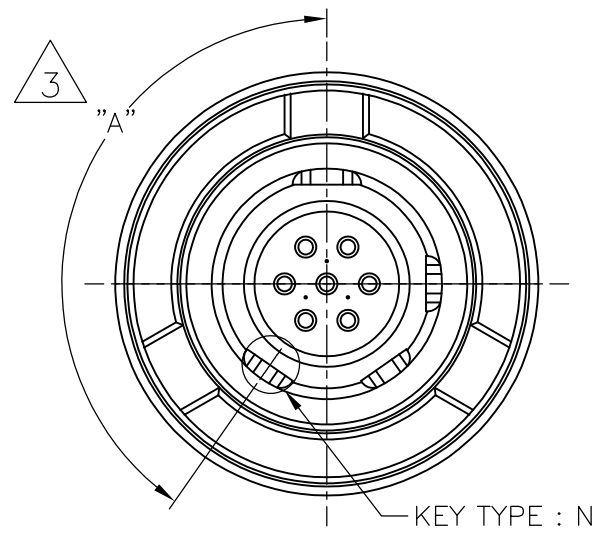
P	LTR	DESCRIPTION	DATE	DWN	APVD
	C1	REDRAWN&REVISED	01NOV2016	T.K	C.O

本図 : 2174220-1
 AS SHOWN:2174220-1

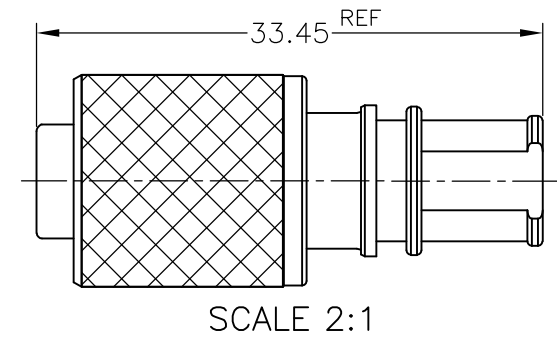
ALIGNMENT INDICATOR
 COLOR : WHITE



- ① MATERIAL: BRASS
- ② FINISH : BLACK Sn-Ni, OVER Ni (9 ~ 10um)
- ③ KEY OPTION : TYPE N IS NORMAL POSITION.
OPTION KEY IS TYPE A(-2) AND TYPE B(-3).
- ④ FINISH : Au PLATING (1.0um), Ni PLATING (2um MIN.)



③ KEY POSITION OPTION
SCALE 2:1



-3	-2	-1	PART NUMBER	ITEM
1	1	1	ADAPTOR	②
1			CONNECTOR ASSEMBLY KEY-B	①
	1		CONNECTOR ASSEMBLY KEY-A	
		1	CONNECTOR ASSEMBLY KEY-N	
QTY			DESCRIPTION	ITEM

③ KEY POSITION

DIM "A"	KEY TYPE	PART NUMBER
270°	TYPE B	2174220-3
215°	TYPE A	2174220-2
145°	TYPE N	2174220-1

THIS DRAWING IS A CONTROLLED DOCUMENT.

DWN T.SUGIYAMA 13JAN2012	TE Connectivity NMSMC 7P BAYONET PLUG PIN SOCKET / SOLDER CUP CONNECTOR KIT				
CHK T.TONOBÉ 30MAR2012					
APVD T.SUGIYAMA 30MAR2012					
PRODUCT SPEC 108-78938					
APPLICATION SPEC 114-5503	NAME				
MATERIAL ①	FINISH ②	SIZE A3	CAGE CODE 00779	DRAWING NO C-2174220	RESTRICTED TO -
CUSTOMER DRAWING			SCALE 4:1	SHEET 1 OF 1	REV C1

Mouser Electronics

Authorized Distributor

Click to View Pricing, Inventory, Delivery & Lifecycle Information:

[TE Connectivity:](#)

[2174220-2](#)