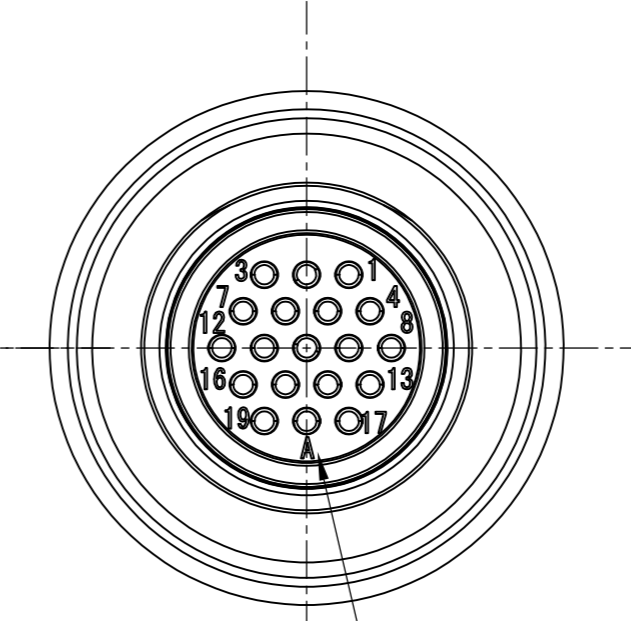
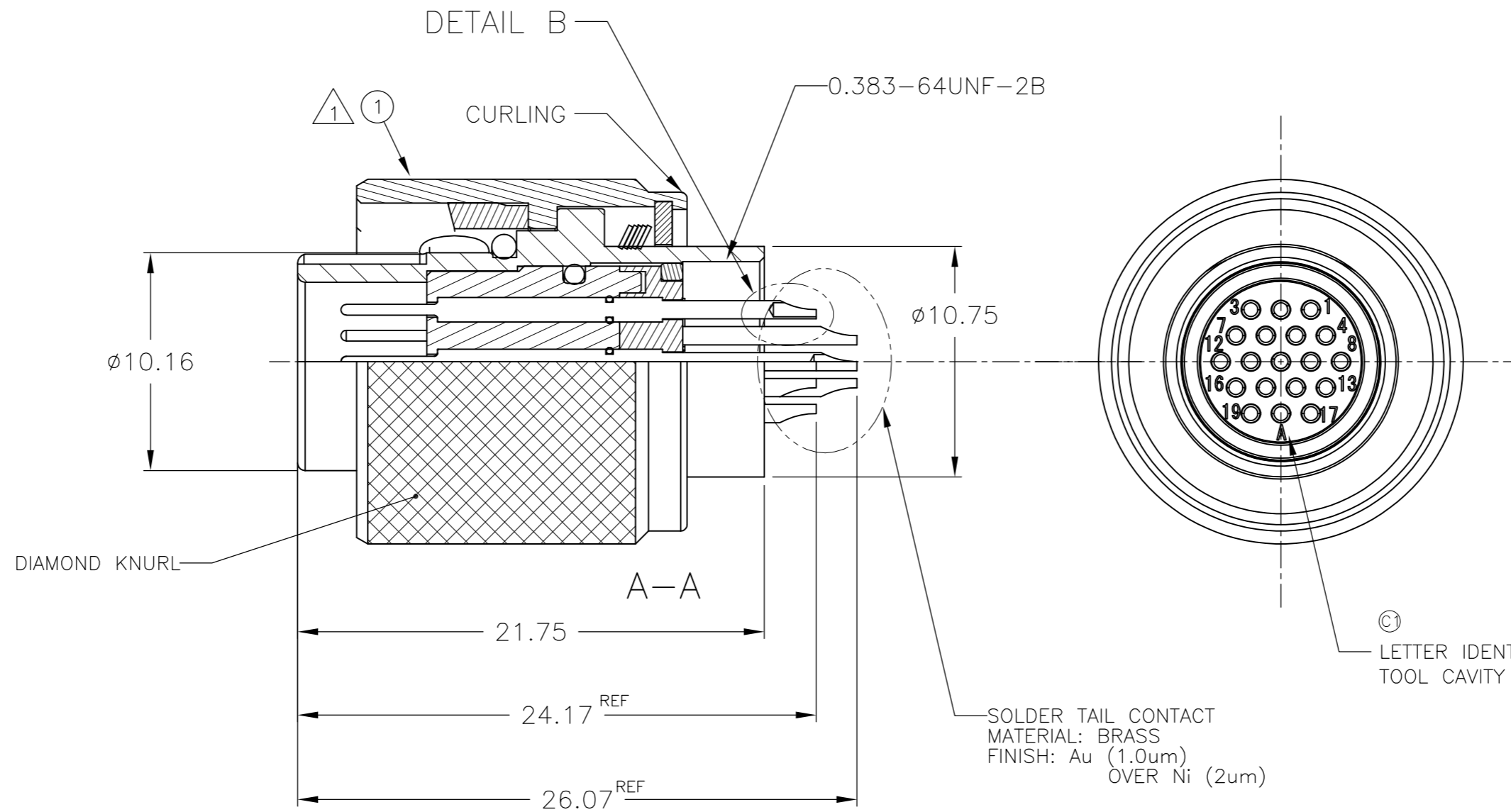
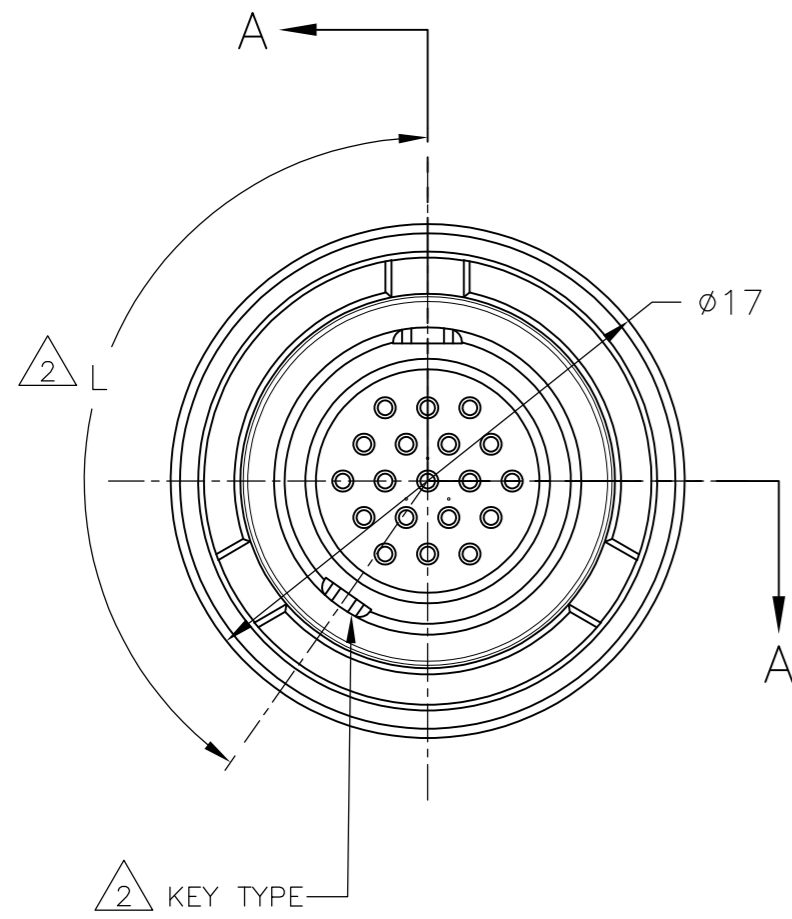


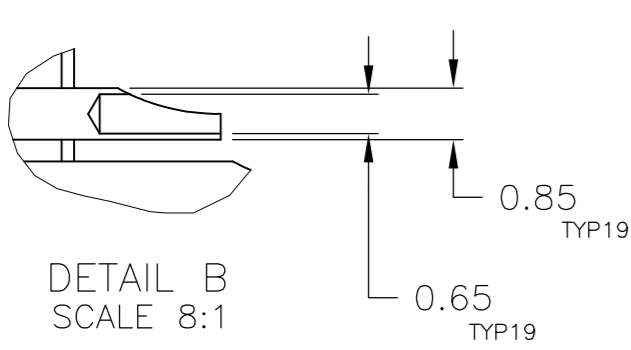
REVISIONS					
P	LTR	DESCRIPTION	DATE	DWN	APVD
C1		REVISED	01NOV2016	C.O	T.K

- △ MATERIAL: BRASS
- △ FINISH : BLACK Su-Ni OVER Ni.
- △ KEY POSITION: TYPE N IS NORMAL POSITION.
- △ OPTION KEY IS TYPE A (-2) AND TYPE B (-3).
- △ "# " IS BODY No.

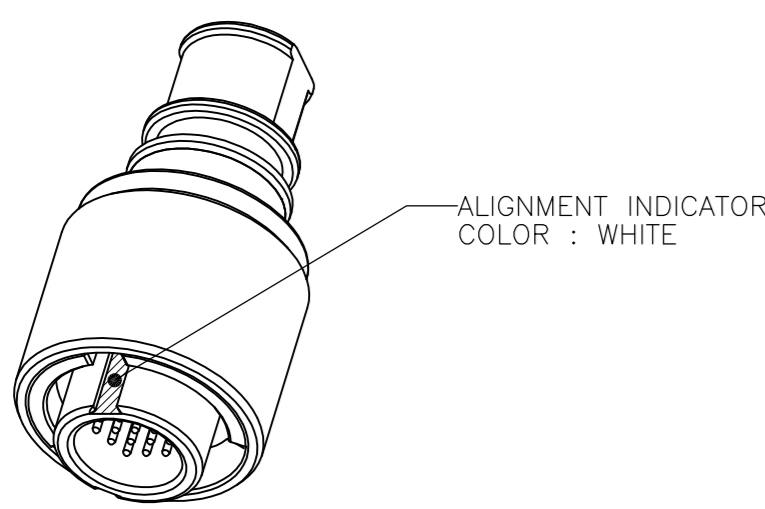
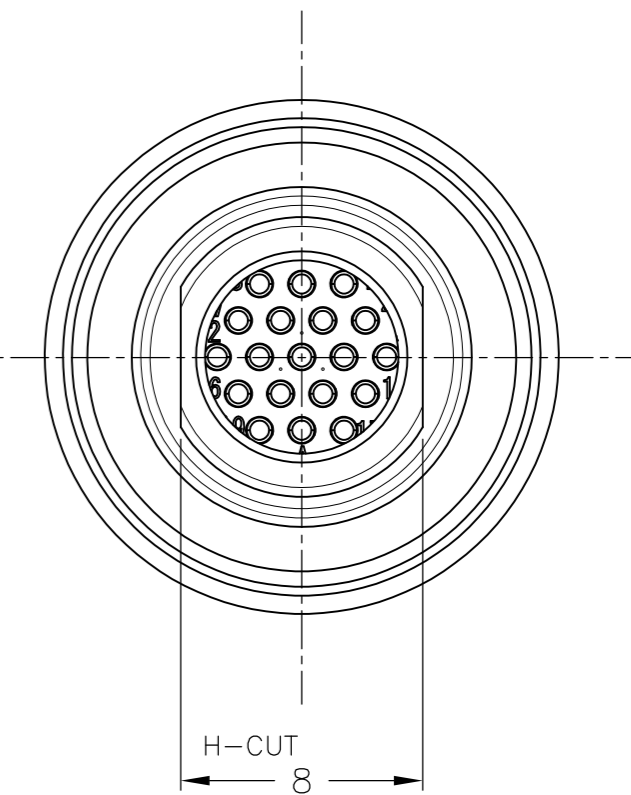
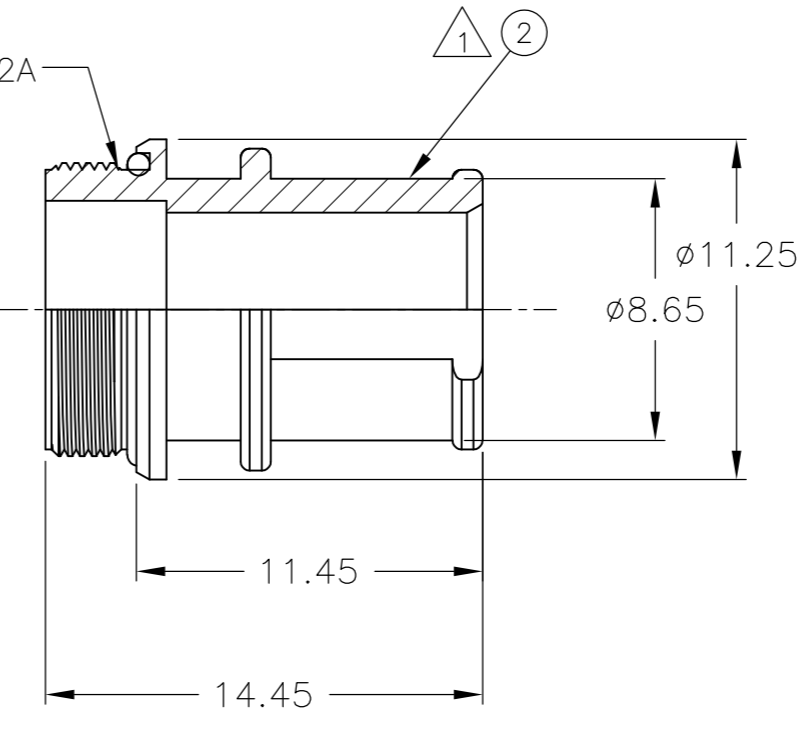
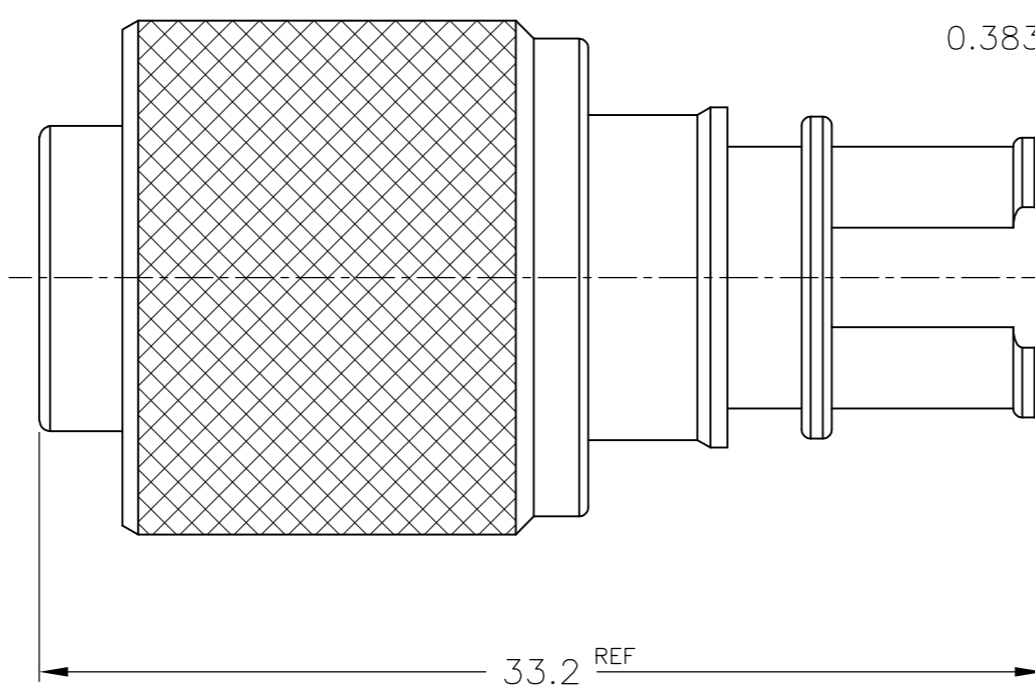
△ DIM L	DESCRIPTION	PART NO.
145°	TYPE N	1-2201481-1
270°	TYPE B	2174211-3
215°	TYPE A	2174211-2
145°	TYPE N	2174211-1



Ⓢ LETTER IDENTIFIES MOLDING TOOL CAVITY NOT CIRCUIT I.D.

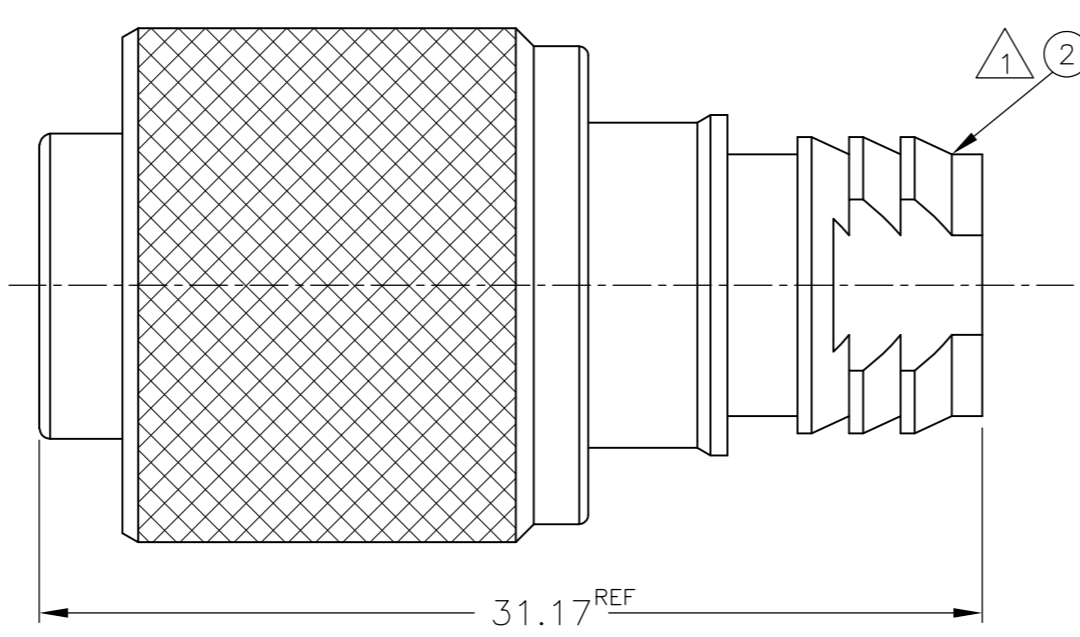


AS SHOWN 2174211-*



ALIGNMENT INDICATOR COLOR : WHITE

REFERENCE SCALE 2:1
2174211-*



AS SHOWN 1-2174211-1

QTY	REQ.	PER	ASSY	DESCRIPTION	ITEM NO.
1	-	-	-	19P PLUG ADAPTOR SHORT WITH O-RING	②
-	1	1	1	19P PLUG ADAPTOR WITH O-RING	②
-	1	-	-	19P BAYONET PLUG PIN SOCKET/SOLDER CUP CONT ASSY TYPE B	①
-	-	1	-	19P BAYONET PLUG PIN SOCKET/SOLDER CUP CONT ASSY TYPE A	①
1	-	-	1	19P BAYONET PLUG PIN SOCKET/SOLDER CUP CONT ASSY TYPE N	①
1-#-1	-3	-2	-1	DESCRIPTION	ITEM NO.

THIS DRAWING IS A CONTROLLED DOCUMENT.				PARTS LIST	
DIMENSIONS:	TOLERANCES UNLESS OTHERWISE SPECIFIED:	DWN	03FEB2012	TE Connectivity	
mm	±0.1	CHK	03FEB2012	NMSMC 19P BAYONET PLUG PIN SOCKET / SOLDER CUP CONNECTOR / KIT	
⌀	PLG ±	APVD	03FEB2012	SIZE	CAGE CODE
1-PLG ±	2-PLG ±	PRODUCT SPEC	108-78938	DRAWING NO	RESTRICTED TO
3-PLG ±	4-PLG ±	APPLICATION SPEC	114-5503	SCALE	SHEET
ANGLES ±	FINISH	WEIGHT	0.000000	4:1	1 OF 1
MATERIAL		CUSTOMER DRAWING			REV C1

Mouser Electronics

Authorized Distributor

Click to View Pricing, Inventory, Delivery & Lifecycle Information:

[TE Connectivity:](#)

[2174211-1](#)