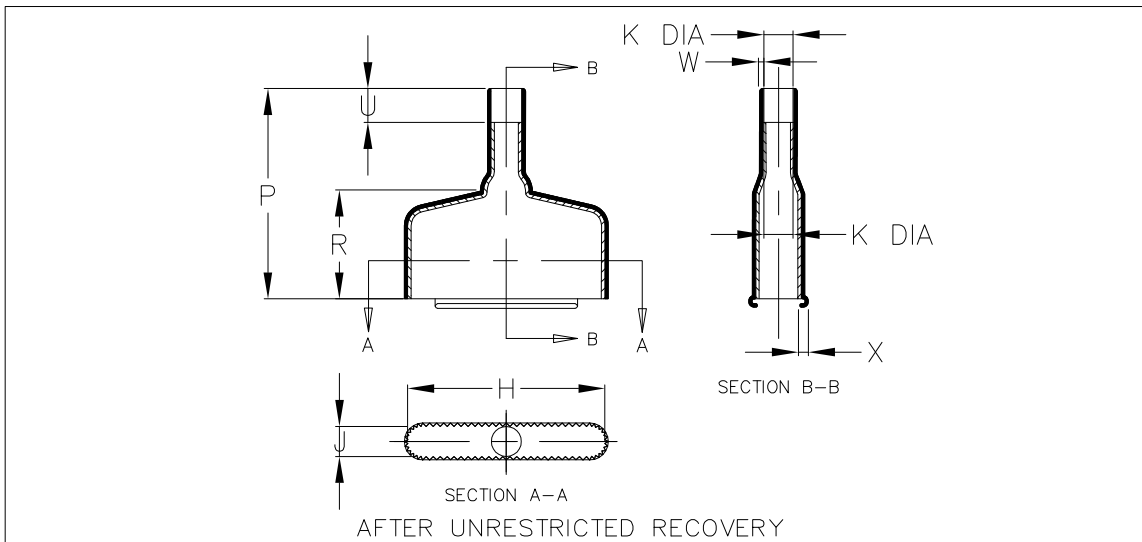
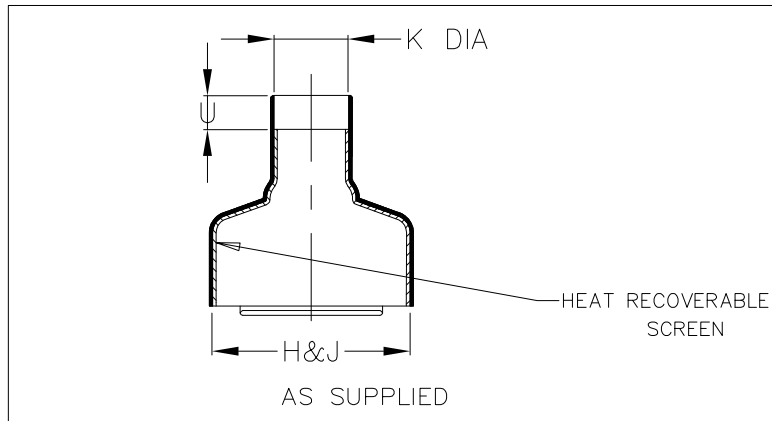


REVISIONS

| P | LTR | DESCRIPTION | DATE | DWN | APVD |
|---|-----|------------------|-----------|-----|------|
| | 1 | PRODUCTION ISSUE | 06JUL2017 | NN | AP |



Dimensions in mm [inches for reference]

| Part No. | To Fit Connector Size | H | | J | | K | | P REF b | R REF b | U | | W ±20% b | X ±20% b |
|---------------|-----------------------|----------------|----------------|---------------|---------------|---------------|---------------|----------------|----------------|--------------|---------------|--------------|--------------|
| | | MIN a | ±5% b | MIN a | ±5% b | MIN a | MAX b | | | MIN a | ±20% b | | |
| 214A011-25C-0 | 9 WAY | 20.8 [.82] | 20.3 [.80] | 15.7 [.62] | 10.7 [.42] | 9.0 [.35] | 4.1 [.16] | 33.0 [1.30] | 19.0 [.75] | 2.0 [.08] | 4.0 [.16] | 1.0 [.04] | 3.0 [.12] |
| 214A021-25C-0 | 15 WAY | 29.0 [1.14] | 28.2 [1.11] | 15.7 [.62] | 10.7 [.42] | 11.0 [.43] | 5.3 [.21] | 39.0 [1.54] | 22.0 [.87] | 3.8 [.15] | 6.0 [.24] | 1.0 [.04] | 3.0 [.12] |
| 214A032-25C-0 | 25 WAY | 42.8 [1.69] | 42.2 [1.66] | 15.7 [.62] | 10.7 [.42] | 15.0 [.59] | 8.1 [.32] | 45.0 [1.77] | 25.0 [.98] | 5.0 [.20] | 6.3 [.25] | 1.0 [.04] | 3.0 [.12] |
| 214A042-25C-0 | 37 WAY | 59.5 [2.34] | 58.7 [2.31] | 15.0 [.59] | 10.7 [.42] | 19.0 [.75] | 8.6 [.34] | 53.0 [2.09] | 28.0 [1.10] | 5.0 [.20] | 9.0 [.35] | 1.0 [.04] | 3.0 [.12] |
| 214A052-25C-0 | 50 WAY | 58.0 [2.28] | 57.9 [2.28] | 17.5 [.69] | 13.7 [.54] | 21.0 [.83] | 10.7 [.42] | 61.0 [2.40] | 32.0 [1.26] | 6.5 [.26] | 10.0 [.39] | 1.0 [.04] | 3.0 [.12] |

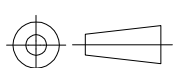
RELEASED FOR PUBLICATION

ALL RIGHTS RESERVED.

THIS DRAWING IS UNPUBLISHED.

COPYRIGHT 2017 By TE Connectivity

| | | | | | | |
|--|-------------------|-----------|------------------------------|-----------|-----------------|---------------|
| DIMENSIONS: mm [INCHES] | DWN N. NAGAR | 06JUL2017 | MATERIAL | - | FINISH | - |
| | CHK - | - | TE Connectivity | | | |
| TOLERANCES UNLESS OTHERWISE SPECIFIED: | APVD A. POOLE | 06JUL2017 | | | | |
| | PRODUCT SPEC - | - | SIZE | CAGE CODE | DRAWING NO | RESTRICTED TO |
| 0 PLC ± - | APVD | - | A4 | 00779 | C-214A0XX-25C-0 | - |
| 1 PLC ± - | PRODUCT SPEC | - | CUSTOMER DRAWING | | | |
| 2 PLC ± - | APPLICATION SPEC | - | SCALE | DNS | SHEET | 1 OF 2 |
| 3 PLC ± - | WEIGHT | - | REV 1 | | | |
| 4 PLC ± - | - | - | SCALE DNS SHEET 1 OF 2 REV 1 | | | |
| ANGLES ± - | - | - | SCALE DNS SHEET 1 OF 2 REV 1 | | | |



REVISIONS

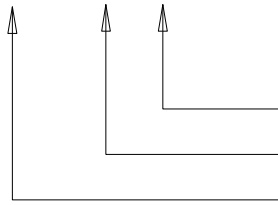
| P | LTR | DESCRIPTION | DATE | DWN | APVD |
|---|-----|-------------|------|-----|------|
| - | - | SEE SHEET 1 | - | - | - |

COMPATIBILITY CHART

| Material Dash No. | Material Description | SPEC No. | Coating Slash No. |
|-------------------|----------------------------|----------|-------------------|
| -25C | ELASTOMER/SILVER COMPOSITE | RW-3047 | /86, /200 |
| | | | |
| | | | |

ORDERING INFORMATION

214A0** - 25C / ** - 0



Adhesive Slash Number
 Material Dash Number (see compatibility chart)
 Base Part Number

NOTES


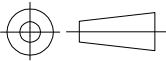
- As supplied dimensions are for parts without adhesive, when an adhesive layer is added entry diameters will reduce by 1.5mm Max.

RELEASED FOR PUBLICATION

ALL RIGHTS RESERVED.

© COPYRIGHT 2017 By TE Connectivity

THIS DRAWING IS UNPUBLISHED.

| | | | | | |
|--|---|--|--------------------|--|--------------------|
| DIMENSIONS: mm [INCHES] | DWN N. NAGAR 06JUL2017 | MATERIAL - | FINISH - | | |
| | CHK - |  TE Connectivity | | | |
| TOLERANCES UNLESS OTHERWISE SPECIFIED: | APVD A. POOLE 06JUL2017 | | | NAME RECTANGULAR BOOT SUBMINITURE STRAIGHT, COATED 214A0XX-25C-0 | |
| 0 PLC ± - | PRODUCT SPEC - | SIZE A4 | CAGE CODE 00779 | DRAWING NO C-214A0XX-25C-0 | RESTRICTED TO - |
| 1 PLC ± - | APPLICATION SPEC - | WEIGHT | | | |
| 2 PLC ± - | | CUSTOMER DRAWING | | | |
| 3 PLC ± - | SCALE DNS | | SHEET 2 OF 2 | REV 1 | |
| 4 PLC ± - |  | | | | |
| ANGLES ± - | | | | | |

Mouser Electronics

Authorized Distributor

Click to View Pricing, Inventory, Delivery & Lifecycle Information:

[TE Connectivity:](#)

[EM3624-000](#)