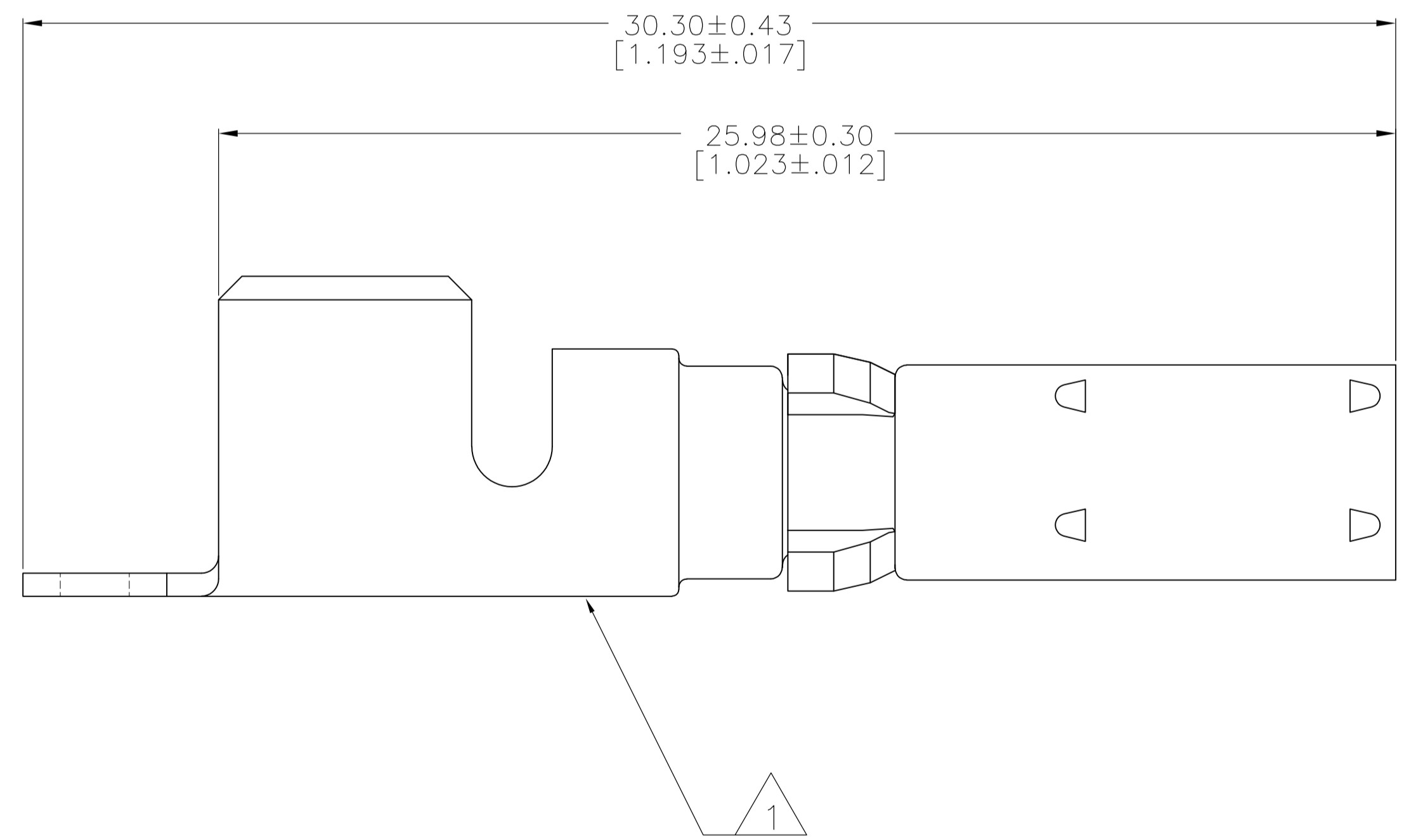
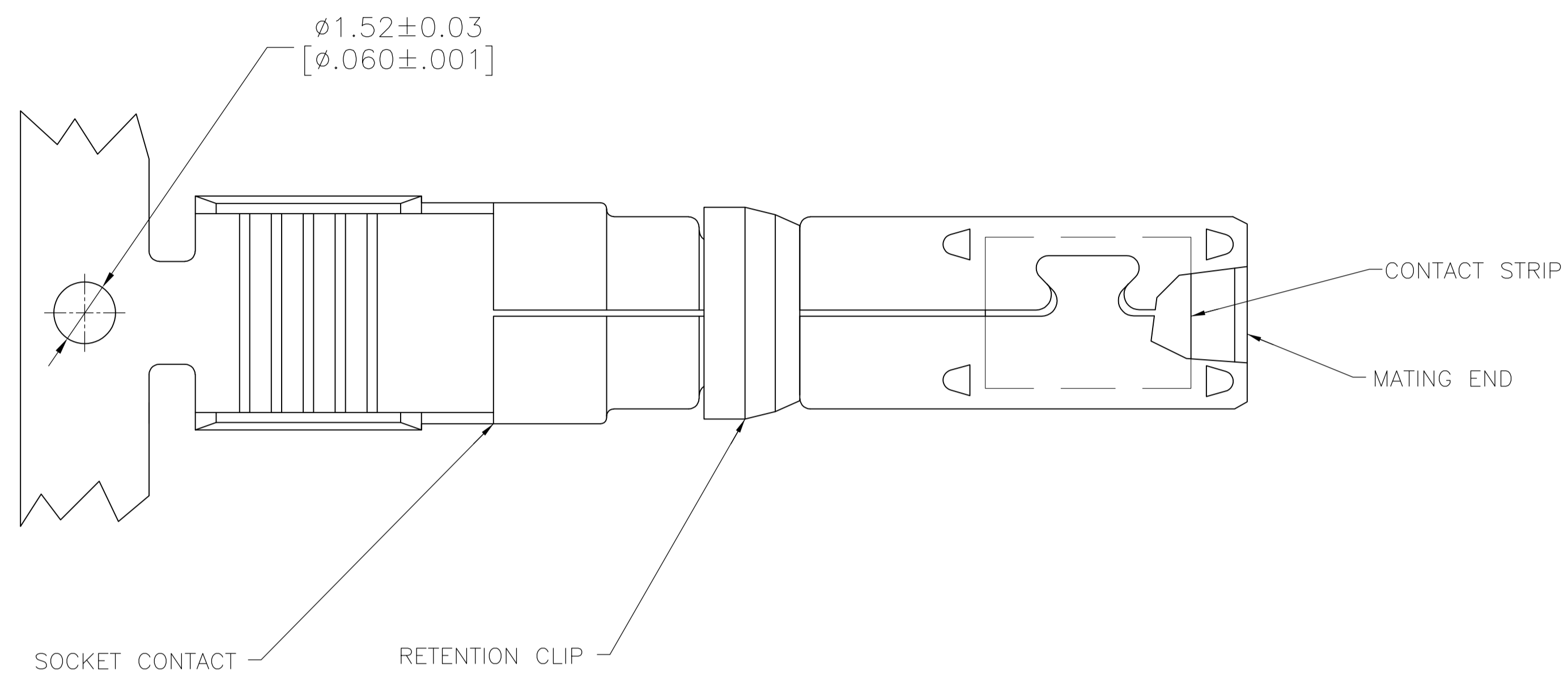
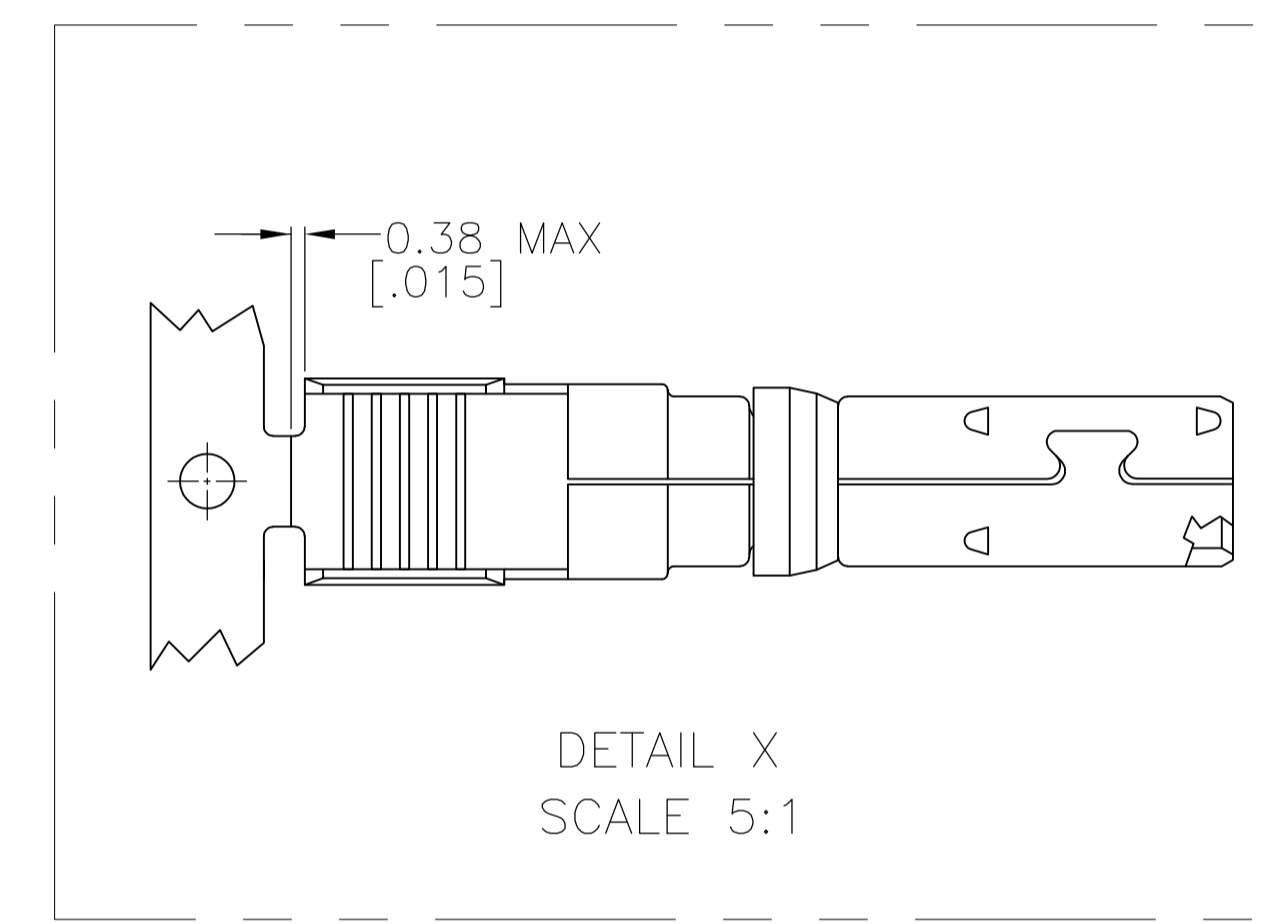


LOC		DIST		REVISIONS			
FT	13	REV	BY	DESCRIPTION	DATE	DMN	APVD
B2	REVISED PER	ECO-15-018367			25DEC2015	NK	MZ



- △1 WIRE SIZE AND AMP LOGO APPEAR ON OUTSIDE OF WIRE BARREL.
- △2 SOCKET CONTACT: 0.38[m] [.000015] MIN GOLD PER MIL-G-45204 ON CONTACT MATING END, GOLD FLASH ON REMAINDER , ALL OVER 1.27[m] [.000050] MIN NICKEL PER QQ-N-390.
CONTACT STRIP: 0.76[m] [.000030] MIN GOLD PER MIL-G-45204 OVER 1.02[m] [.000040] MIN NICKEL PER QQ-N-390.
RETENTION CLIP: 2.54[m] [.000100] MIN NICKEL PER QQ-N-290.
- △3 RETENTION CLIP: PHOSPHOR BRONZE PER QQ-B-750.
SOCKET CONTACT: COPPER PER QQ-C-576.
CONTACT STRIP: BERYLLIUM COPPER PER QQ-C-533.
- △4 SOCKET CONTACT: 1.27[m] [.000050] MIN SILVER PER QQ-S-365, ALL OVER 1.27[m] [.000050] MIN NICKEL PER QQ-N-290.
CONTACT STRIP: 5.08[m] [.000200] MIN SILVER PER QQ-S-365, ALL OVER 1.02[m] [.000040] MIN NICKEL PER QQ-N-290.
RETENTION CLIP: 2.54[m] [.000100] MIN NICKEL PER QQ-N-290.
- △5 CONTACTS WITHOUT RETENTION CLIPS ARE TO BE USED ONLY WITH THE FORGE DRAWER CONNECTORS.



NO	REV	DESCRIPTION	PART NUMBER
5	4	DETAIL X	213843-7
	4	-	213843-5
YES	2	DETAIL X	213843-4
	4	DETAIL X	213843-3
	2	-	213843-2
	4	-	213843-1
RETENTION CLIP	FINISH	LOOSE PIECE	PART NUMBER

THIS DRAWING IS A CONTROLLED DOCUMENT.

DIMENSIONS: mm [INCHES]	TOLERANCES UNLESS OTHERWISE SPECIFIED:	DWG: C. OBERMAN 21 MAR 96	CHK: R. STONE 25 MAR 96	APVD: G. STEINHÄUER 26 MAR 96	NAME: G. STEINHÄUER	PRODUCT SPEC: -	APPLICATION SPEC: -	SIZE: A1	CAGE CODE: 00779	DRAWING NO: 213843	RESTRICTED TO: -
MATERIAL: 3	FINISH: SEE TABLE	WEIGHT: -	CUSTOMER DRAWING	SCALE: 10:1	SHEET: 1 OF 1	REV: B2					

STE TE Connectivity

SOCKET CONTACT ASSEMBLY,
8-10 AWG, POWERBAND,
METRIMATE

Mouser Electronics

Authorized Distributor

Click to View Pricing, Inventory, Delivery & Lifecycle Information:

[TE Connectivity:](#)

[213843-3](#)