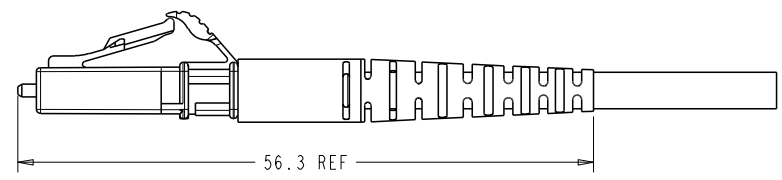
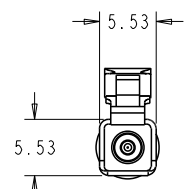
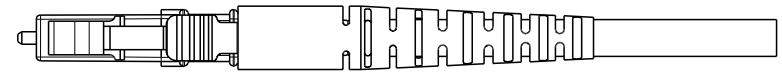
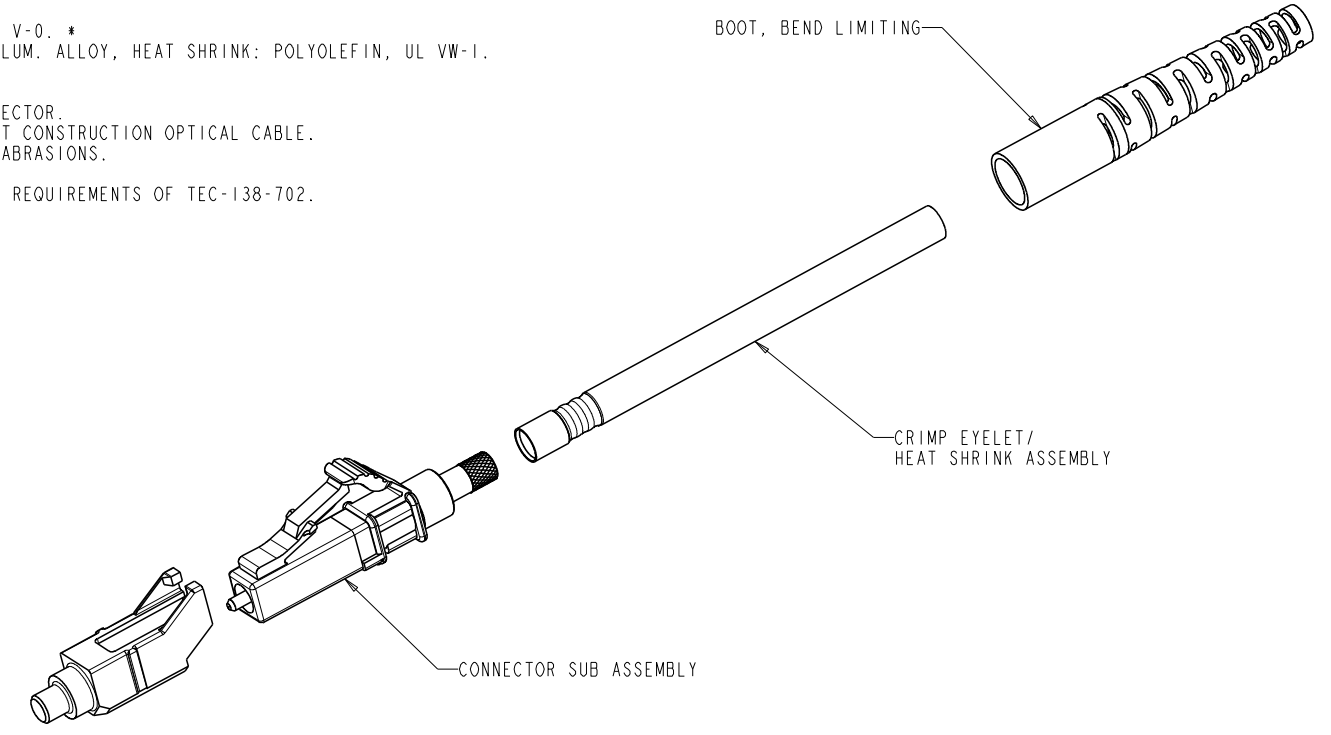


| LOC | DIST | REVISIONS | | | |
|-----|------|---------------|-----------|-----|------|
| P | LT# | DESCRIPTION | DATE | OWN | APVD |
| C | | ECR-14-016330 | 06NOV2014 | HZ | RZ |
| D | | ECR-14-019305 | 13JAN2015 | KG | SM |

△ MATERIAL: PROTECTIVE COVER: TPE, COLOR:BLACK, UL94 HB. *
 FERRULE SUB ASSEMBLY: ZIRCONIA/ALUM ALLOY.
 COMPRESSION SPRING: STAINLESS STEEL.
 FRONT HOUSING: PPSU, COLOR: SEE TABLE, UL94 V-0. *
 REAR BODY: ALUM ALLOY.
 BOOT: PP, COLOR: SEE TABLE, UL94 V-0. *
 CRIMP EYELET/HEAT SHRINK ASSY: ALUM. ALLOY, HEAT SHRINK: POLYOLEFIN, UL VW-1.
 *RATED AT QUALIFYING THICKNESS.

- THIS IS A NON-PULL PROOF LC CONNECTOR.
 IT IS DESIGNED FOR USE WITH TIGHT CONSTRUCTION OPTICAL CABLE.
 UNDER LOADS YOU MAY SEE ENDFACE ABRASIONS.
- PRODUCT AND PROCESSING MUST MEET REQUIREMENTS OF TEC-138-702.



| | | |
|-------|------------|-------------|
| BLUE | SINGLEMODE | 2123265-2 |
| BEIGE | MULTIMODE | 2123265-1 |
| COLOR | TYPE | PART NUMBER |

THIS DRAWING IS A CONTROLLED DOCUMENT.

| | | |
|--------------------|-----------|---|
| OWN: B. BRIGGS | 22FEB2010 | TE Connectivity CONNECTOR KIT, LC, SIMPLEX JUMPER, TIGHT JACKET STYLE, 2.4mm |
| CHK: S. MILLER | 22FEB2010 | |
| APVD: D. BAECHTLER | 22FEB2010 | |
| PRODUCT SPEC | | |
| APPLICATION SPEC | | RESTRICTED TO |
| MATERIAL | WEIGHT | SIZE: A2 |
| ANGLES | FINISH | CAGE CODE: 00779 |
| | | DRAWING NO: 2123265 |
| | | SCALE: 3:1 |
| | | SHEET 1 OF 1 |
| | | REV D |

Customer Drawing

Mouser Electronics

Authorized Distributor

Click to View Pricing, Inventory, Delivery & Lifecycle Information:

[TE Connectivity:](#)

[2123265-2](#)