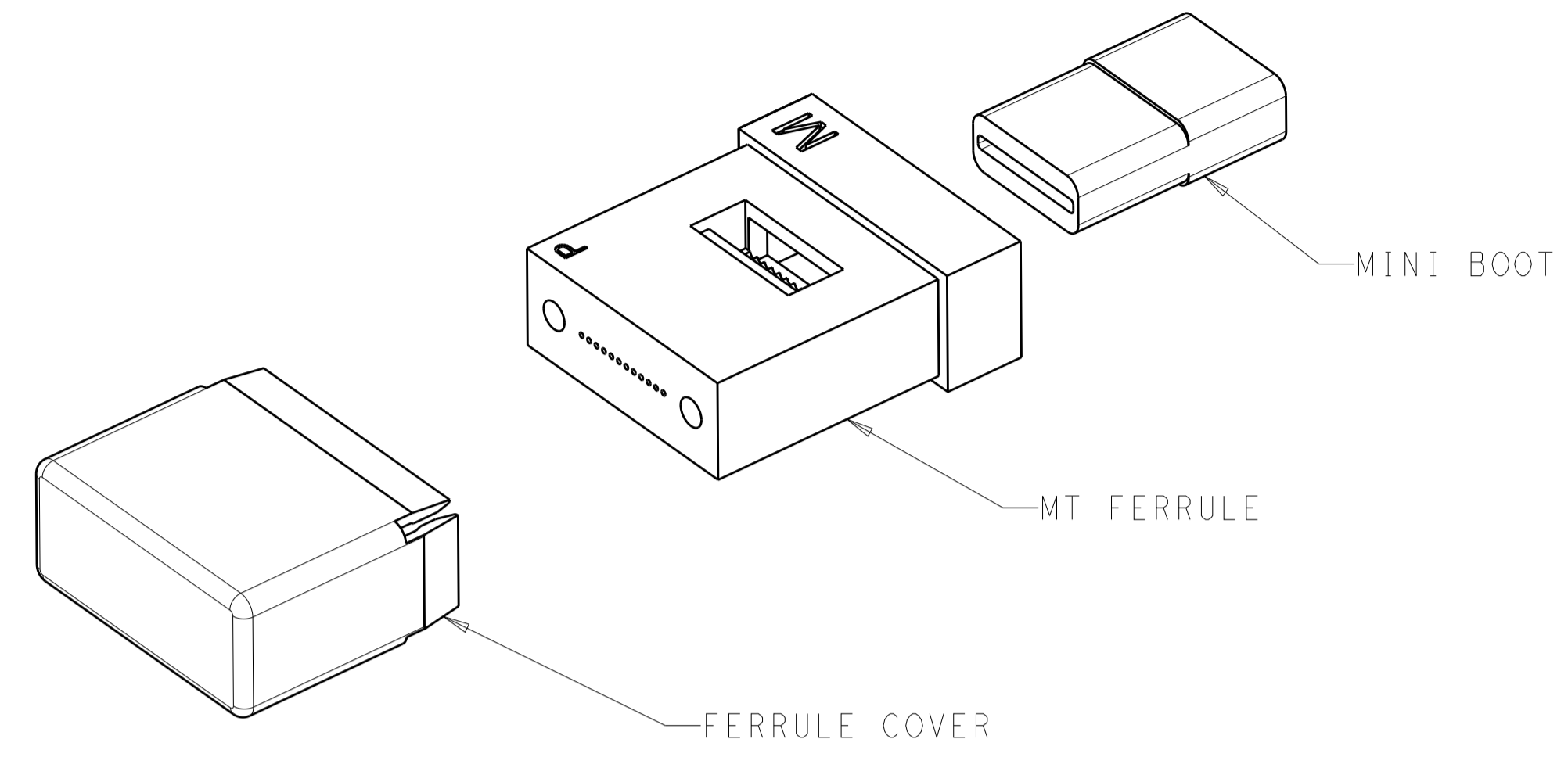
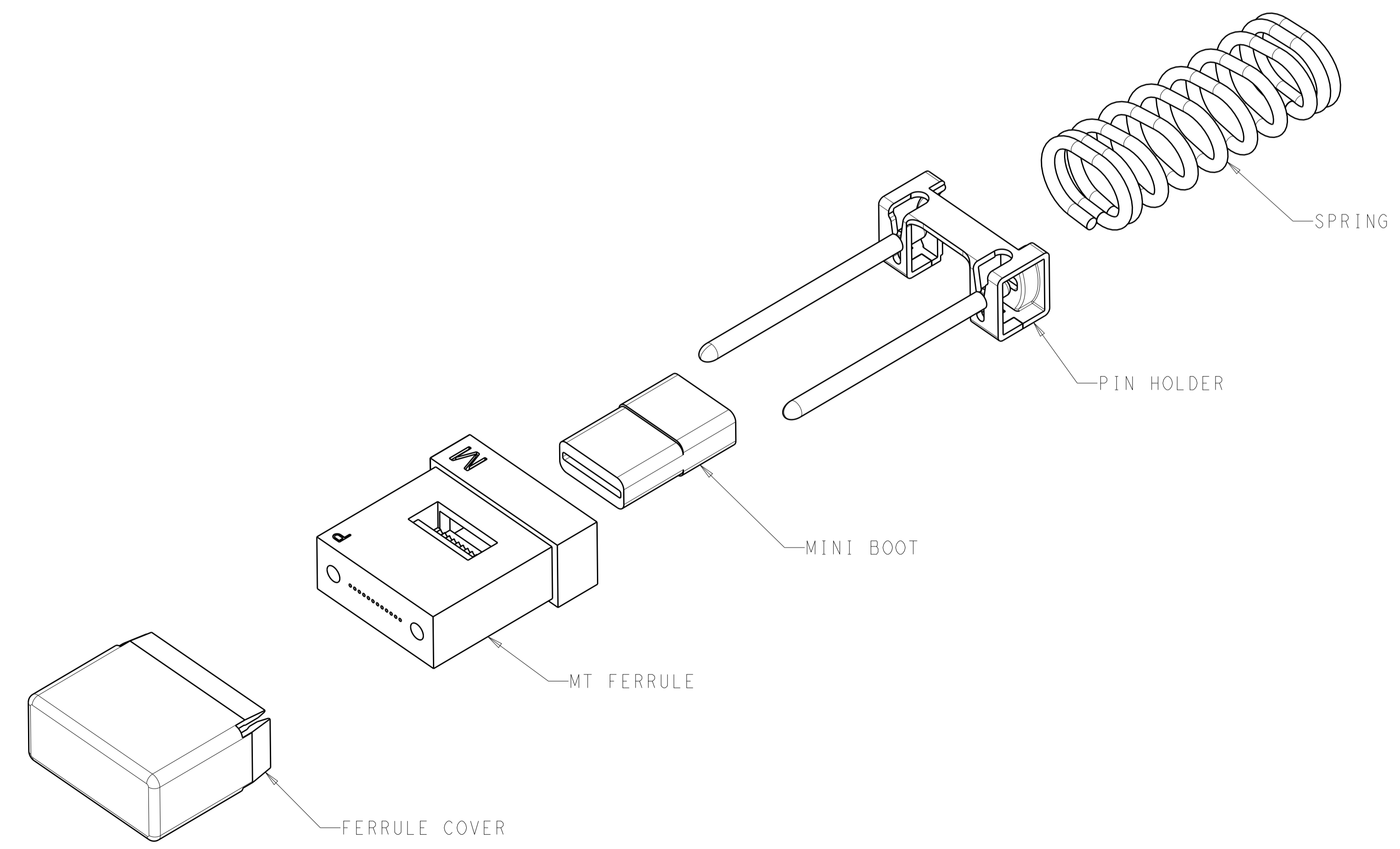


REVISONS		DATE	DWN	APVD
A	RELEASED PER ECO-14-017426	10DEC2014	-	-
A1	REVISED PER ECO-19-004404	23APR2019	DF	JM



2102866-1 <sup>△3</sup>  
 RECEPTACLE (BACKPLANE) KIT

- △1 MATERIAL:  
 MT FERRULE: THERMOPLASTIC, PER ASTM D4067  
 MINI BOOT: VULCANIZED THERMOPLASTIC POLYOLEFIN  
 FERRULE COVER: ABS THERMOPLASTIC PER ASTM D4673  
 SPRING: 300 SERIES STAINLESS STEEL WIRE, PER ASTM A313  
 PIN HOLDER: 300 SERIES STAINLESS STEEL, PER ASTM A666  
 PINS: 400 SERIES STAINLESS STEEL, PER ASTM A276
- △2 FINISH:  
 SPRING: PASSIVATED
- △3 UNASSEMBLED RECEPTACLE FIBER OPTIC KIT  
 CONTAINING THE MT FERRULE, MINI-BOOT AND FERRULE COVER  
 USE WITH RECEPTACLE (BACKPLANE) CONNECTOR KITS:  
 VITA 66.1: 2000973-1  
 VITA 66.4: 2226880-1
- △4 UNASSEMBLED PLUG FIBER OPTIC KIT,  
 CONTAINING MT FERRULE, MINI-BOOT, PIN HOLDER, SPRING AND FERRULE COVER  
 USE WITH PLUG (MODULE) CONNECTOR KITS:  
 VITA 66.1: 2000974-1  
 VITA 66.4: 2226881-1



2102866-2 <sup>△4</sup>  
 PLUG (MODULE) KIT

MULTI-MODE, 12-FIBER, STANDARD GRADE	UNASSEMBLED PLUG KIT	△4	2102866-2
MULTI-MODE, 12-FIBER, STANDARD-GRADE	UNASSEMBLED RECEPTACLE KIT	△3	2102866-1
MT FERRULE TYPE	COMMENTS		PART NUMBER

THIS DRAWING IS A CONTROLLED DOCUMENT.		DWN D. FABIAN	09FEB2012	<b>STE</b> TE Connectivity
DIMENSIONS: mm		CHK -	APVD -	
TOLERANCES UNLESS OTHERWISE SPECIFIED: 0 PLC ± 1 PLC ±0.13 2 PLC ±0.013 3 PLC ± 4 PLC ±		PRODUCT SPEC 108-2247		NAME MT FERRULE KIT, 12 FIBER, MM 50/125, STANDARD GRADE FIBER OPTIC
MATERIAL △1		APPLICATION SPEC 114-32050		SIZE A1
FINISH △2		WEIGHT -		CAGE CODE 100779
		Customer Drawing		RESTRICTED TO -
		SCALE 8:1		SHEET 1 OF 1
				REV A1

# Mouser Electronics

Authorized Distributor

Click to View Pricing, Inventory, Delivery & Lifecycle Information:

[TE Connectivity:](#)

[2102866-1](#)