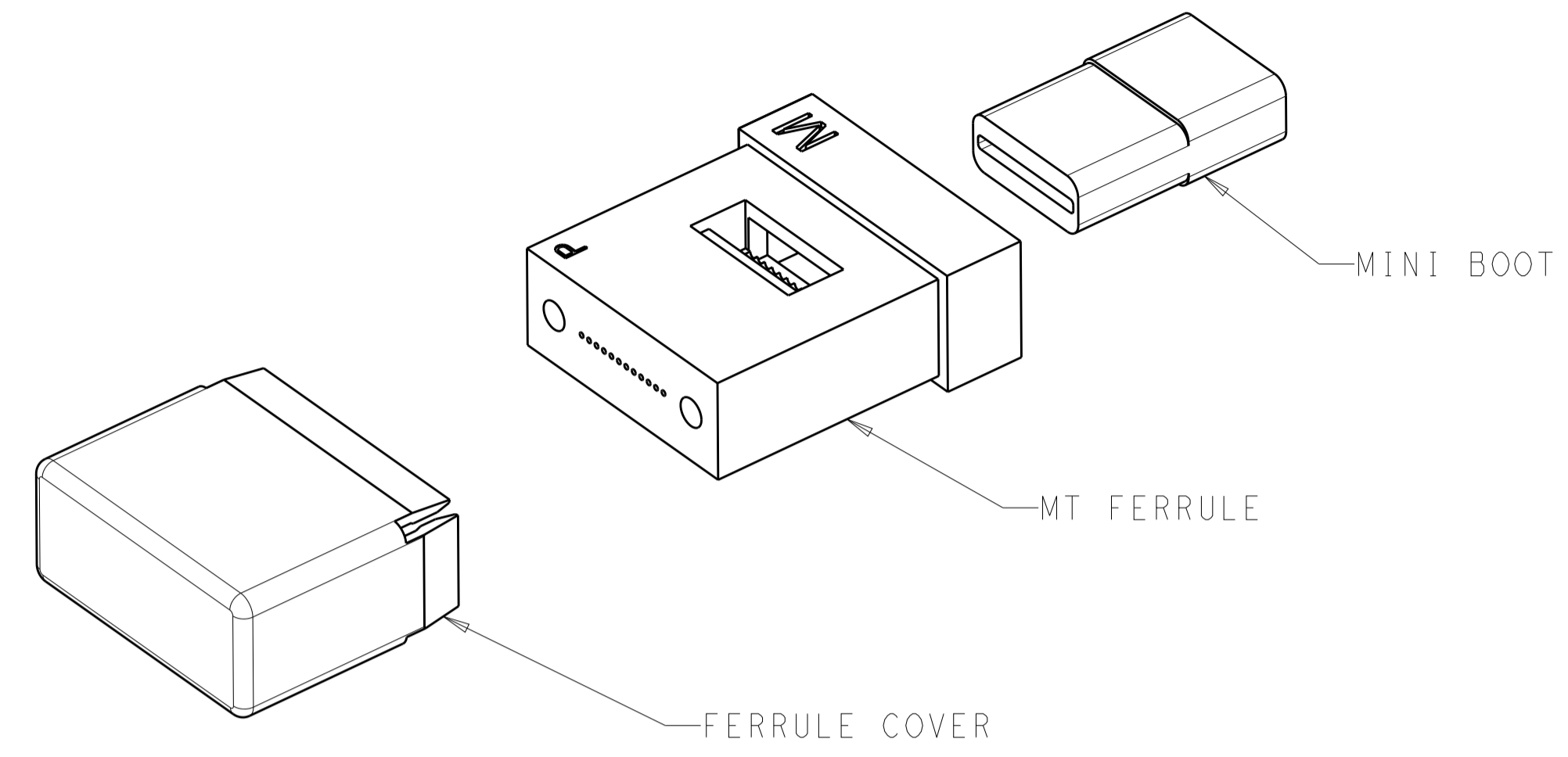
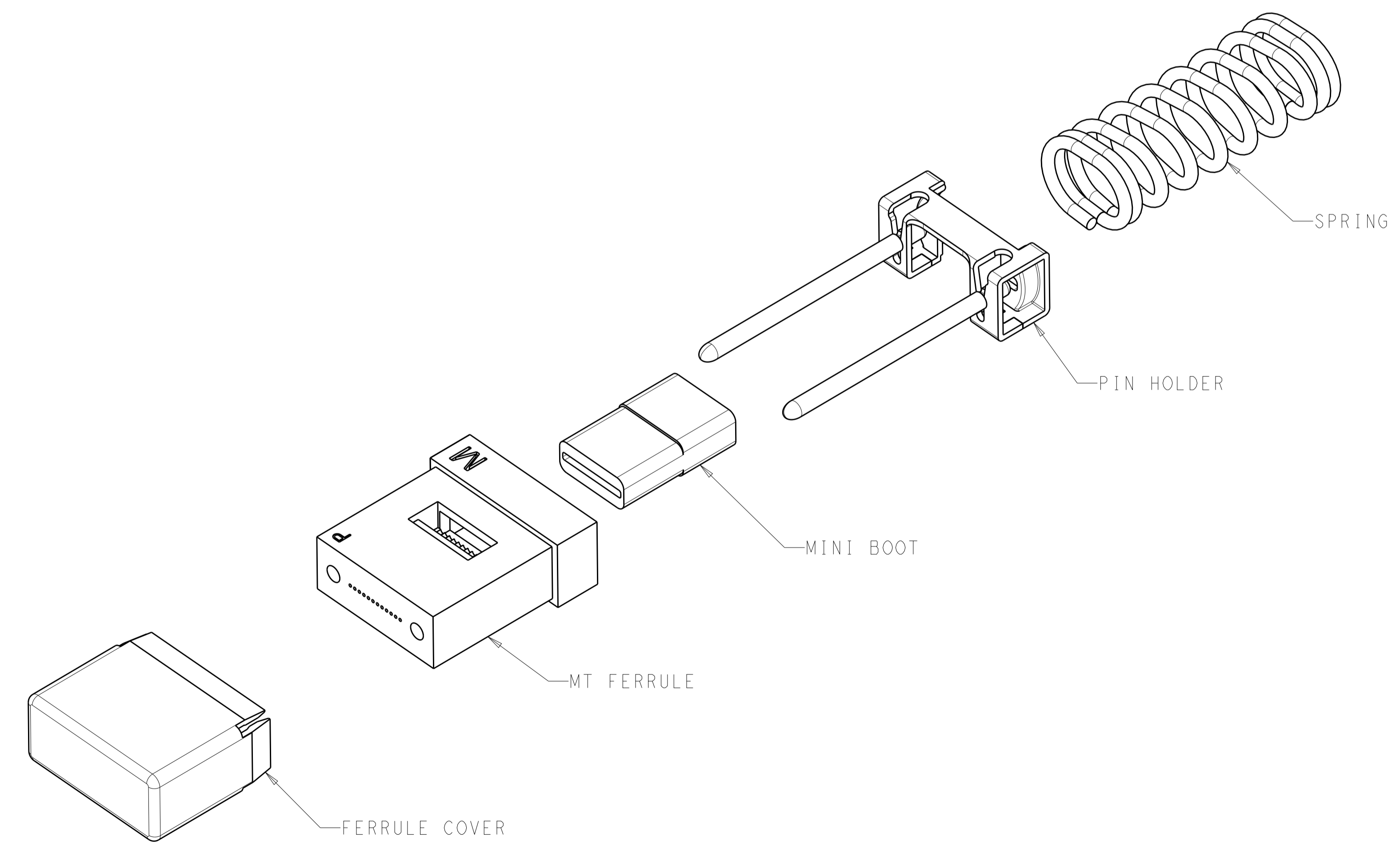


LOC		DIST		REVISIONS			
				REV	DATE	BY	APPV
	A			RELEASED PER ECO-14-017426	10DEC2014	-	-
	A1			REVISED PER ECO-19-004404	23APR2019	DF	JM



2102866-1 [△]
 RECEPTACLE (BACKPLANE) KIT

- △1 MATERIAL:
 MT FERRULE: THERMOPLASTIC, PER ASTM D4067
 MINI BOOT: VULCANIZED THERMOPLASTIC POLYOLEFIN
 FERRULE COVER: ABS THERMOPLASTIC PER ASTM D4673
 SPRING: 300 SERIES STAINLESS STEEL WIRE, PER ASTM A313
 PIN HOLDER: 300 SERIES STAINLESS STEEL, PER ASTM A666
 PINS: 400 SERIES STAINLESS STEEL, PER ASTM A276
- △2 FINISH:
 SPRING: PASSIVATED
- △3 UNASSEMBLED RECEPTACLE FIBER OPTIC KIT
 CONTAINING THE MT FERRULE, MINI-BOOT AND FERRULE COVER
 USE WITH RECEPTACLE (BACKPLANE) CONNECTOR KITS:
 VITA 66.1: 2000973-1
 VITA 66.4: 2226880-1
- △4 UNASSEMBLED PLUG FIBER OPTIC KIT,
 CONTAINING MT FERRULE, MINI-BOOT, PIN HOLDER, SPRING AND FERRULE COVER
 USE WITH PLUG (MODULE) CONNECTOR KITS:
 VITA 66.1: 2000974-1
 VITA 66.4: 2226881-1



2102866-2 [△]
 PLUG (MODULE) KIT

MULTI-MODE, 12-FIBER, STANDARD GRADE	UNASSEMBLED PLUG KIT	△4	2102866-2
MULTI-MODE, 12-FIBER, STANDARD-GRADE	UNASSEMBLED RECEPTACLE KIT	△3	2102866-1
MT FERRULE TYPE		COMMENTS	PART NUMBER

THIS DRAWING IS A CONTROLLED DOCUMENT.		OWN	D. FABIAN	09FEB2012	TE Connectivity
DIMENSIONS:		CHK	-	-	
TOLERANCES UNLESS OTHERWISE SPECIFIED:		APVD	-	-	NAME
mm	0 PLC ±	PRODUCT SPEC	108-2247	APPLICATION SPEC	MT FERRULE KIT, 12 FIBER, MM
	1 PLC ±0.13	SIZE	114-32050	RESTRICTED TO	50/125, STANDARD GRADE
	2 PLC ±0.013	WEIGHT	-	SCALE	FIBER OPTIC
	3 PLC ±	Customer Drawing	8:1	SHEET	1 OF 1
	4 PLC ±			REV	A1
	ANGLES #1				
MATERIAL	FINISH				

Mouser Electronics

Authorized Distributor

Click to View Pricing, Inventory, Delivery & Lifecycle Information:

[TE Connectivity:](#)

[2102866-2](#)