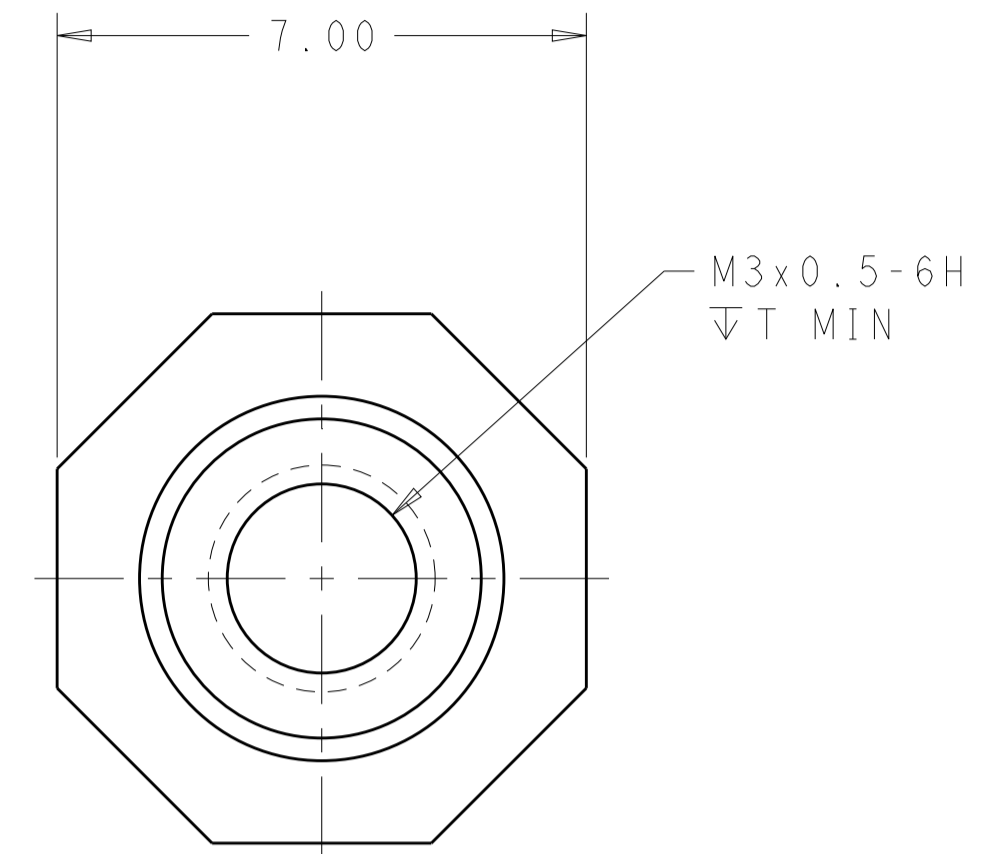
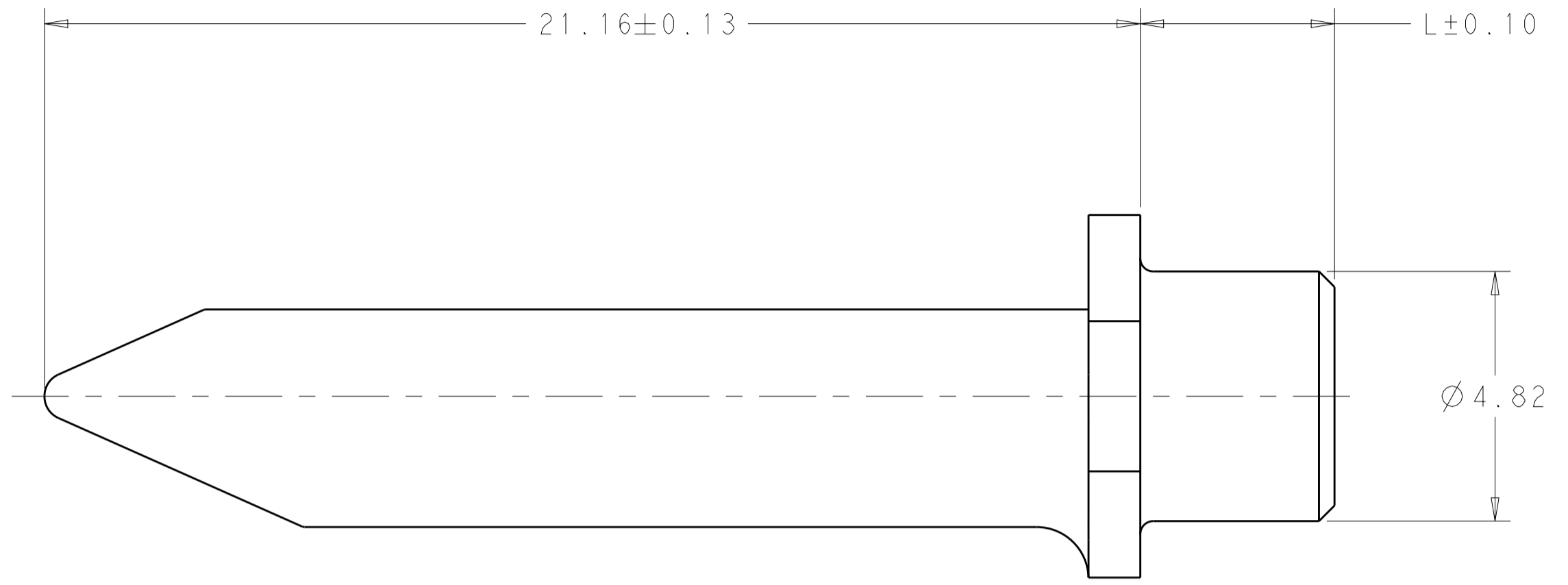
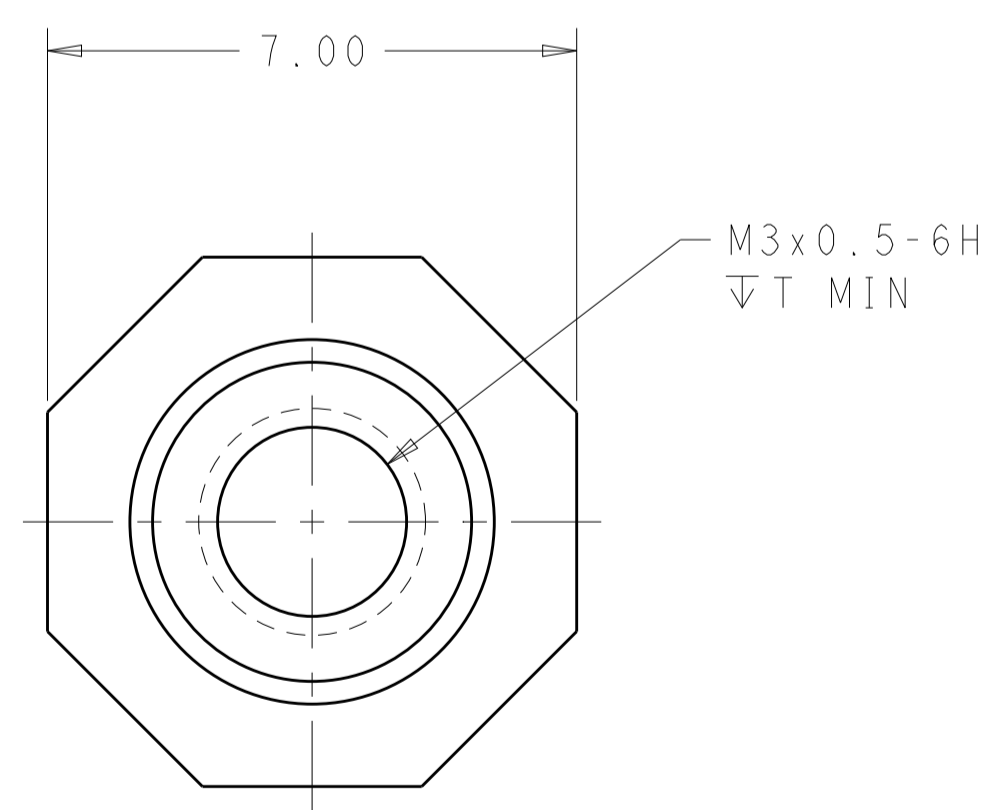
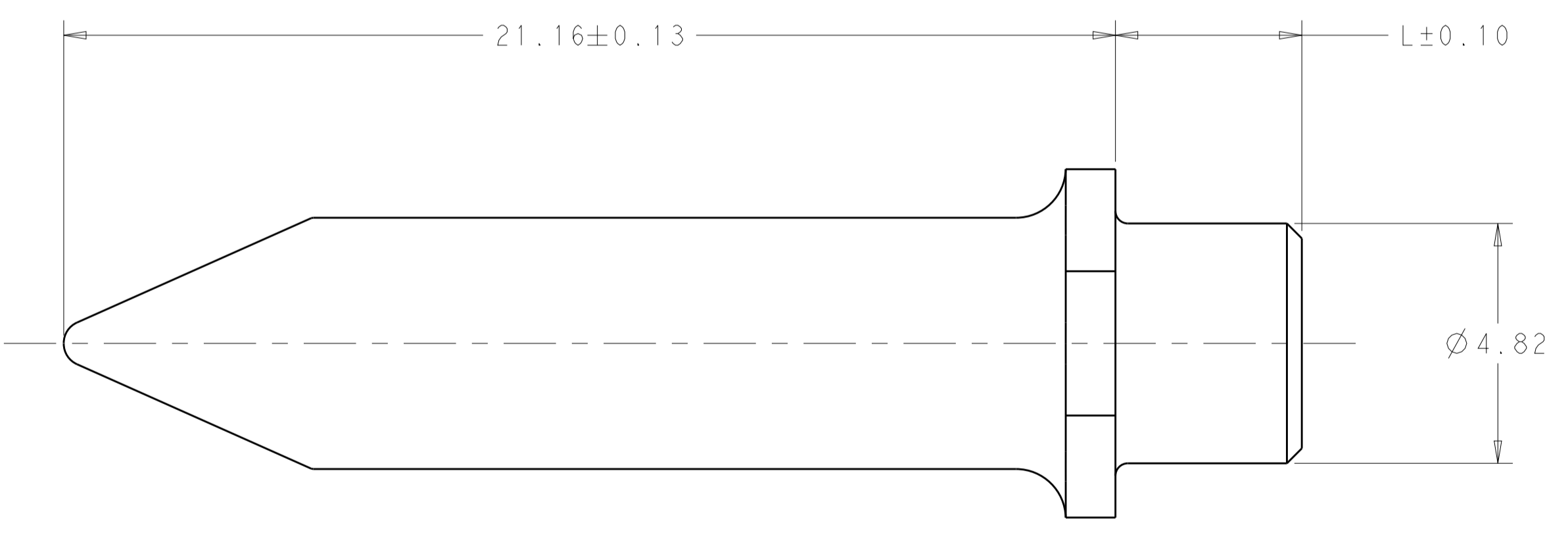


REVISIONS							
LOC	DIST	P	LTN	DESCRIPTION	DATE	DWN	APVD
		A		ECO-13-015101	27SEP2013	DB	KT
		B		ECO-14-000226	08JAN2014	DB	KT
		C		REVISED PER ECO-14-007808	29MAY2014	BY	KMT



## 2102502-2 & 2102502-6 (KEYED)



## 2102502-4 & 2102502-8 (NON-KEYED)

WEIGHT	DIM "T"	DIM "L"	DESCRIPTION	PART NUMBER
3.50g	4.75	5.00	NON-KEYED	2102502-8
3.20g	4.75	5.00	KEYED	2102502-6
3.07g	3.5	3.75	NON-KEYED	2102502-4
3.36g	3.5	3.75	KEYED	2102502-2

THIS DRAWING IS A CONTROLLED DOCUMENT.		DWN D. BELACK	10FEB2012	<b>STE</b> TE Connectivity
DIMENSIONS: mm		CHK K. THACKSTON	APVD K. THACKSTON	
TOLERANCES UNLESS OTHERWISE SPECIFIED:		NAME GUIDE PIN, METAL SHELL LRU		RESTRICTED TO
0 PLC ± 2 PLC ±0.13 3 PLC ±0.05 4 PLC ±		PRODUCT SPEC 108-2474		
ANGLES ±2°		APPLICATION SPEC 408-10464		SIZE A1
MATERIAL STAINLESS STEEL	FINISH PASSIVATED	WEIGHT -		CAGE CODE DRAWING NO A100779C=2102502
Customer Drawing		SCALE 10:1		SHEET 1 OF 1

# Mouser Electronics

Authorized Distributor

Click to View Pricing, Inventory, Delivery & Lifecycle Information:

[TE Connectivity:](#)

[2102502-2](#)