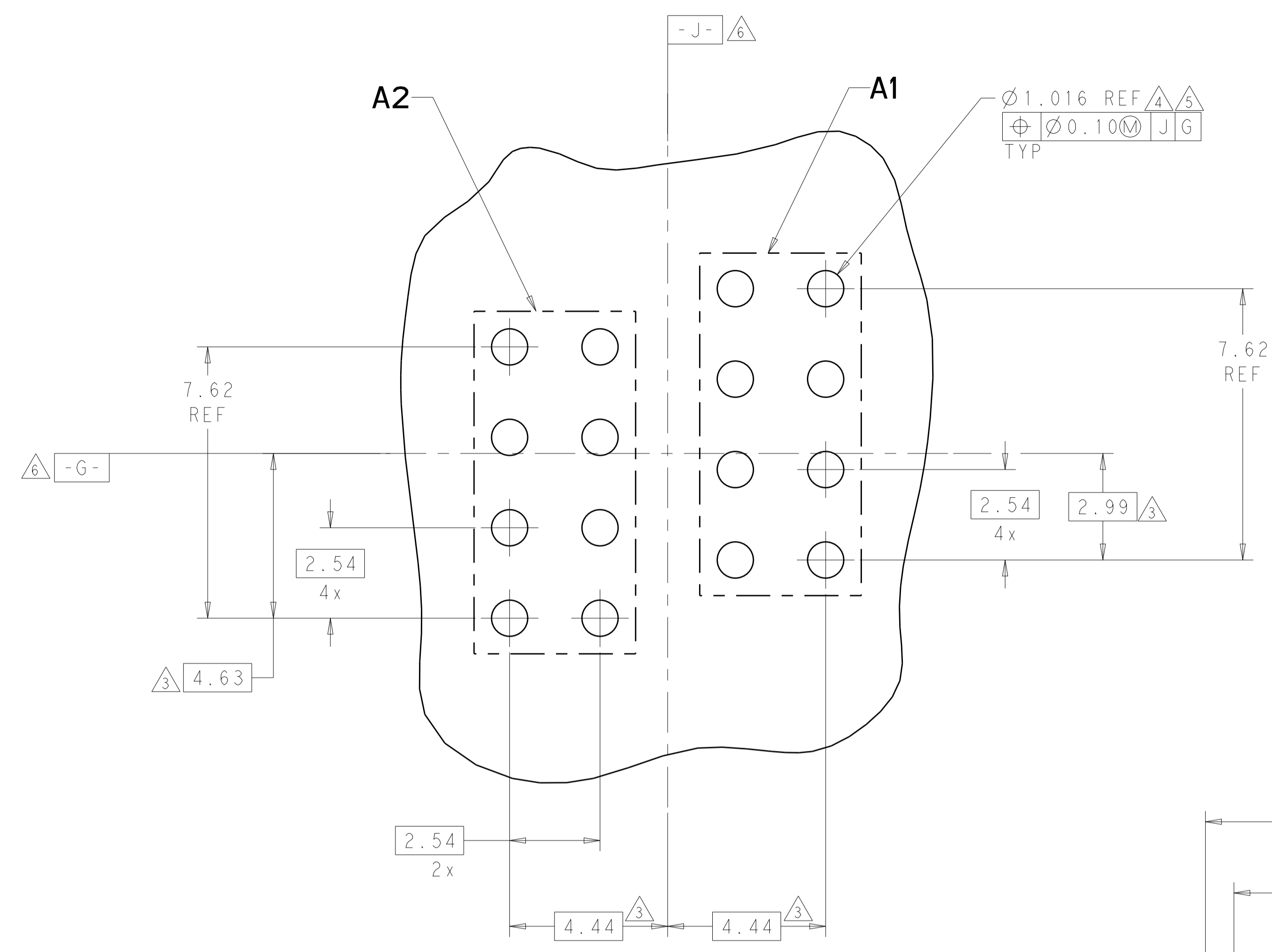
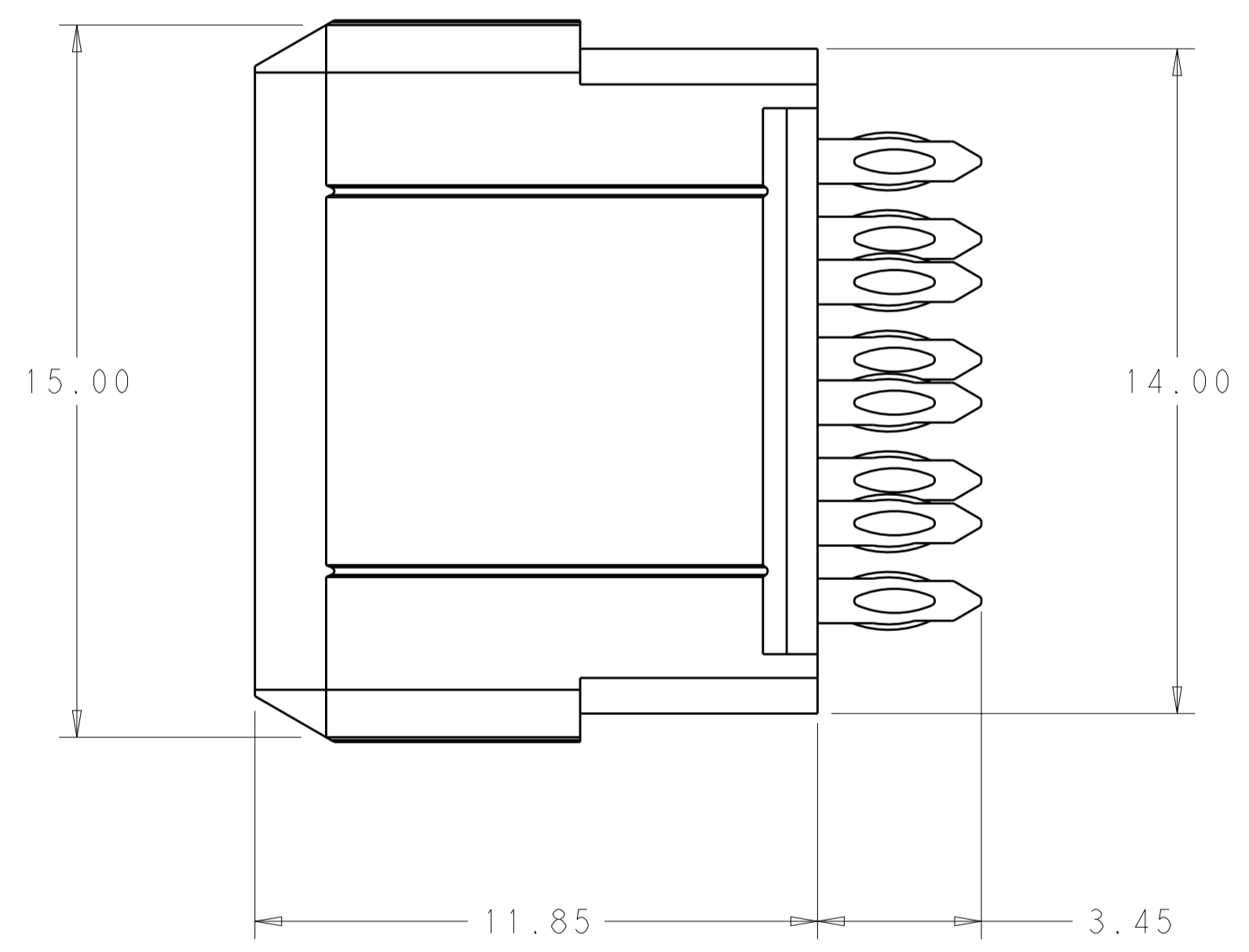
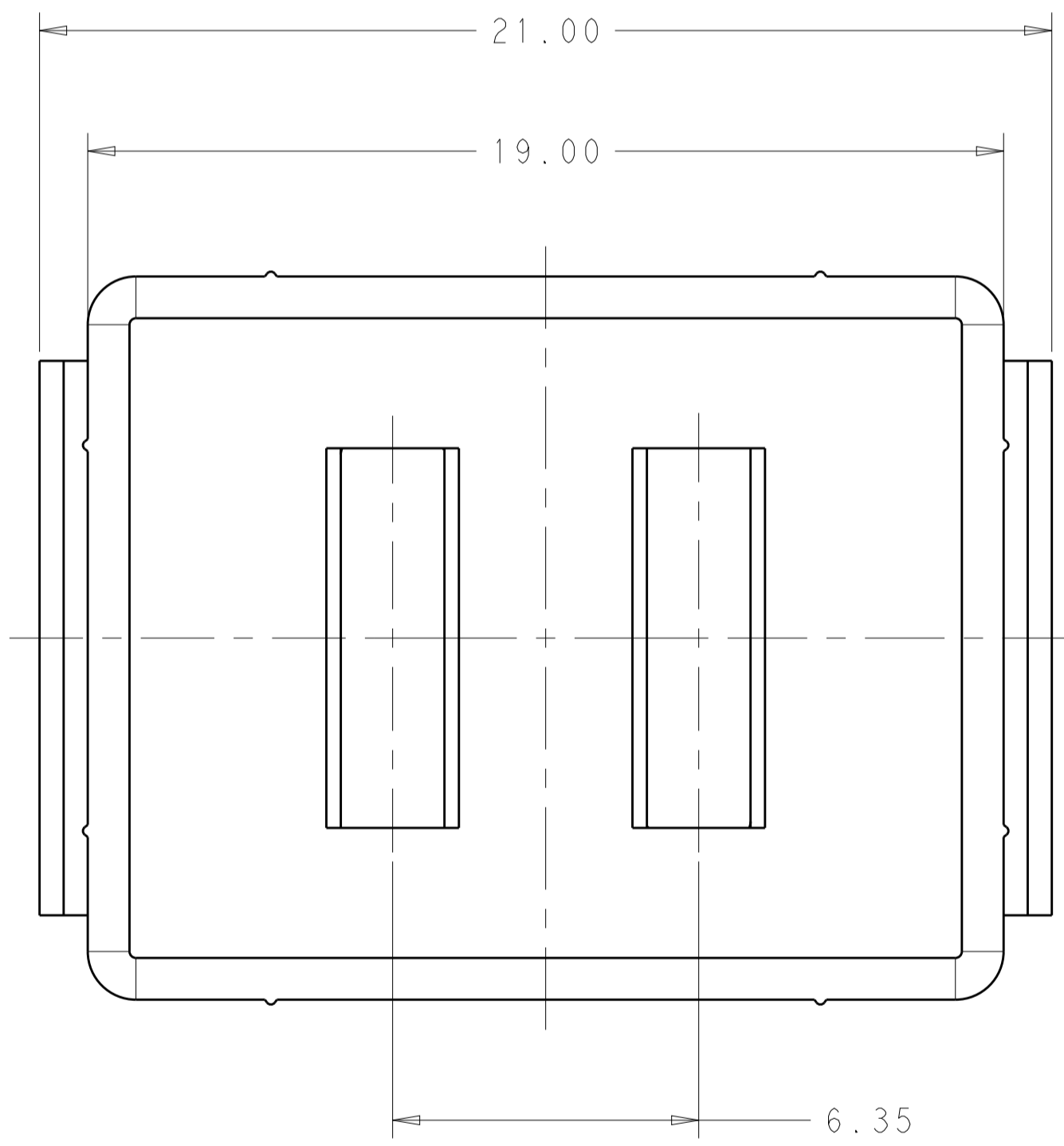


LOC	DIST	REV	DATE	BY	CHK	APPV
-	-	C	12-15-14	CT	DH	
-	-	D	30MAR2016	RS	CT	



RECOMMENDED PC BOARD LAYOUT
 COMPONENT SIDE SHOWN
 SCALE 10:1



- ① MATERIAL:
 CONTACT - COPPER ALLOY
 HOUSING - LCP, COLOR - BLACK
- ② FINISH:
 MATING AREA: 0.76µm MIN GOLD OVER
 1.27µm MIN NICKEL
 COMPLIANT PIN AREA: 2.54µm MIN MATTE TIN
- ③ DIMENSION APPLIES TO CENTERLINE OF THRU HOLE.
- ④ PCB - ALL HOLE DIAMETERS ARE FINISHED HOLE SIZES.
- ⑤ REFERENCE APPLICATION SPEC 114-13251 FOR RECOMMENDED PLATED THRU HOLE DIAMETER AND PLATING THICKNESS.
- ⑥ REFERENCE PRINT 2102428 FOR DIMENSIONS.

THIS DRAWING IS A CONTROLLED DOCUMENT.		DNW D. BELACK	10MAR2011	2102442-1	
DIMENSIONS:		CHK K. THACKSTON	NAME	STE TE Connectivity	
TOLERANCES UNLESS OTHERWISE SPECIFIED:		APVD M. McALONIS	PRODUCT SPEC	HIGH POWER, METAL SHELL LRU, VERTICAL SOCKET MODULE	
mm		108-2474	APPLICATION SPEC	SIZE CAGE CODE DRAWING NO RESTRICTED TO	
0 PLC ±0.13		114-13251	114-13251	A100779 C=2102442	
1 PLC ±0.10		WEIGHT ~ 4.93g	CUSTOMER DRAWING	SCALE 8:1 SHEET 1 OF 1 REV D	
2 PLC ±0.075					
3 PLC ±0.05					
4 PLC ±0.025					
ANGLES ±2°					
FINISH SEE TABLE					

Mouser Electronics

Authorized Distributor

Click to View Pricing, Inventory, Delivery & Lifecycle Information:

[TE Connectivity:](#)

[2102442-1](#)