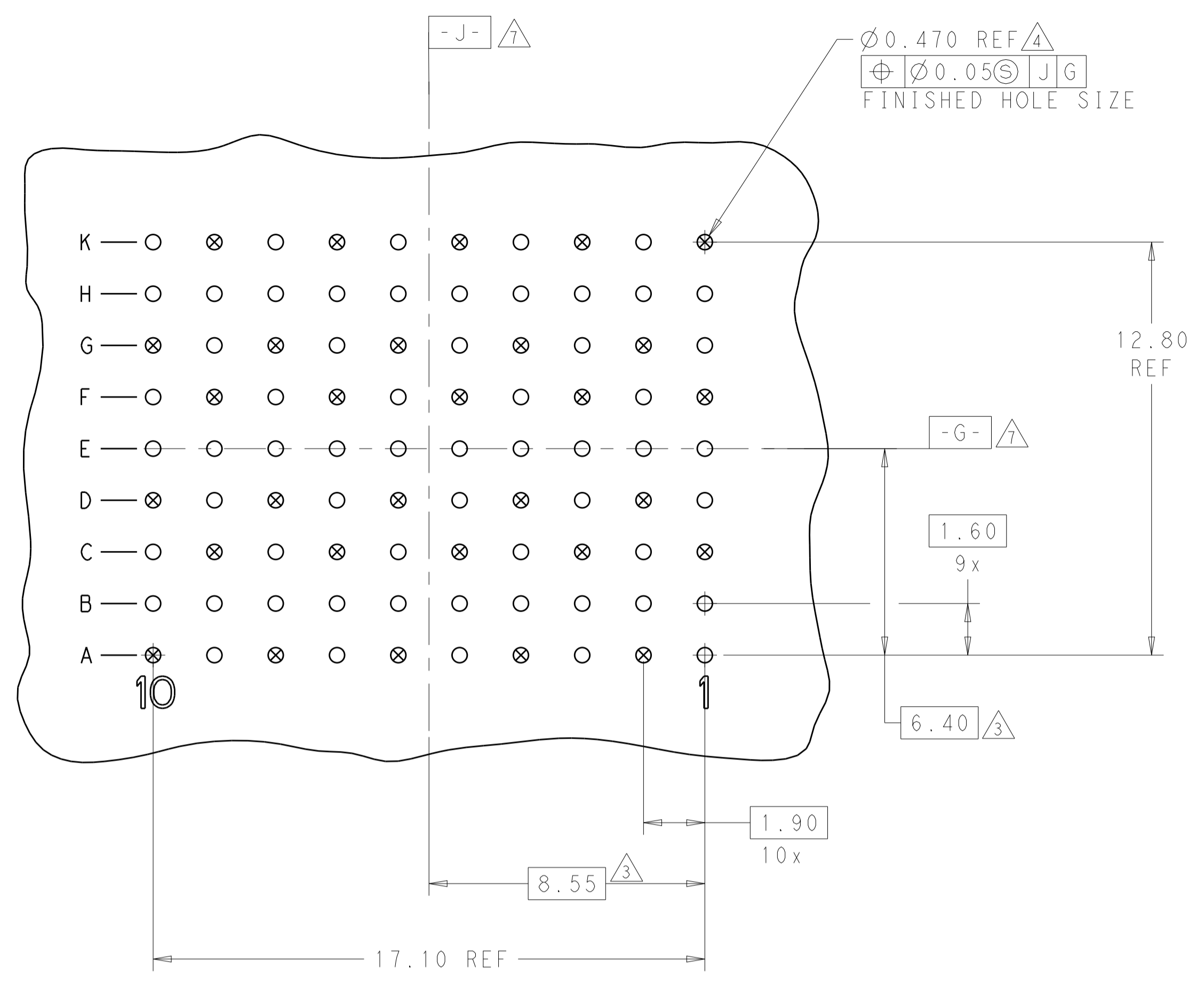


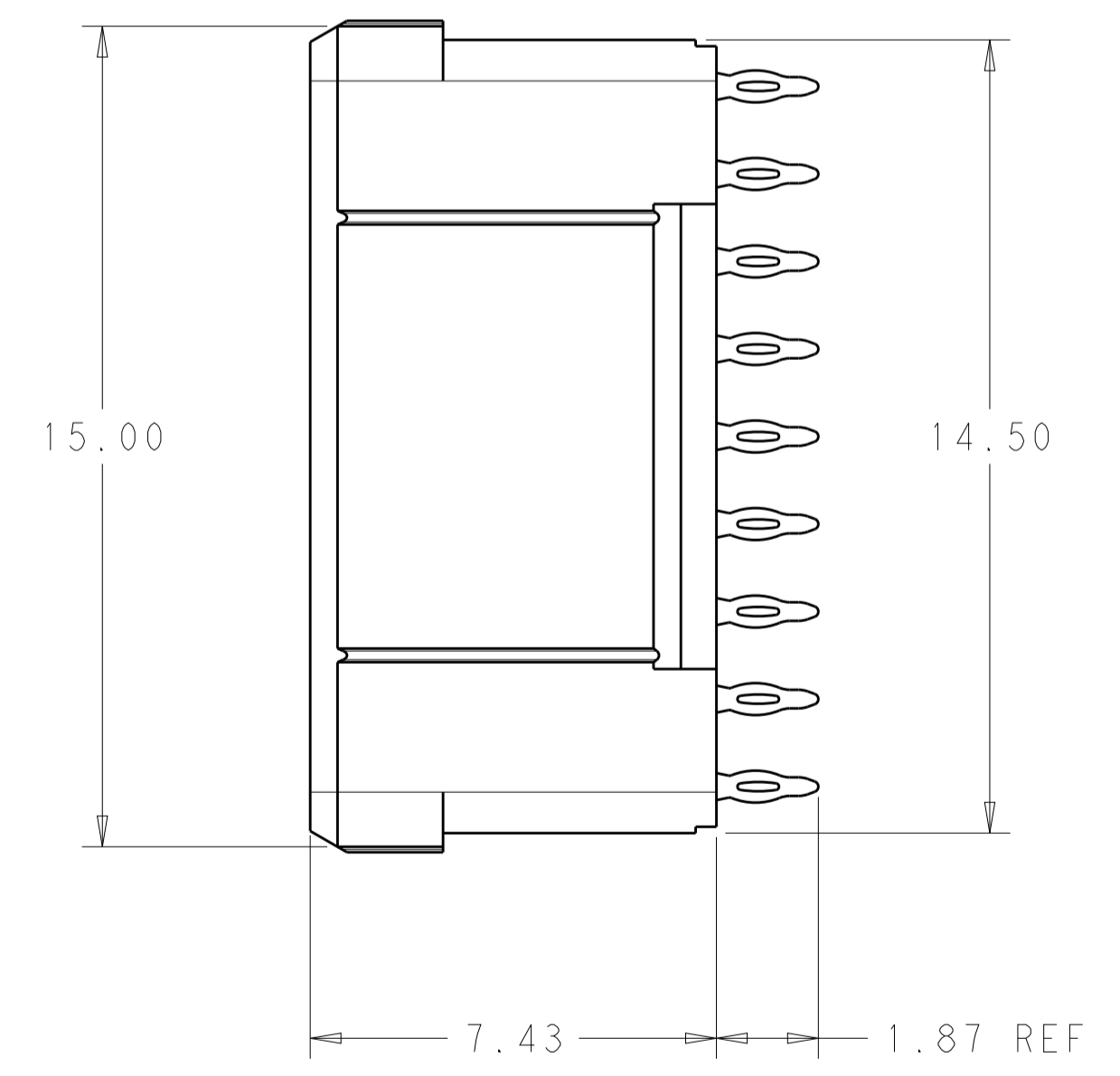
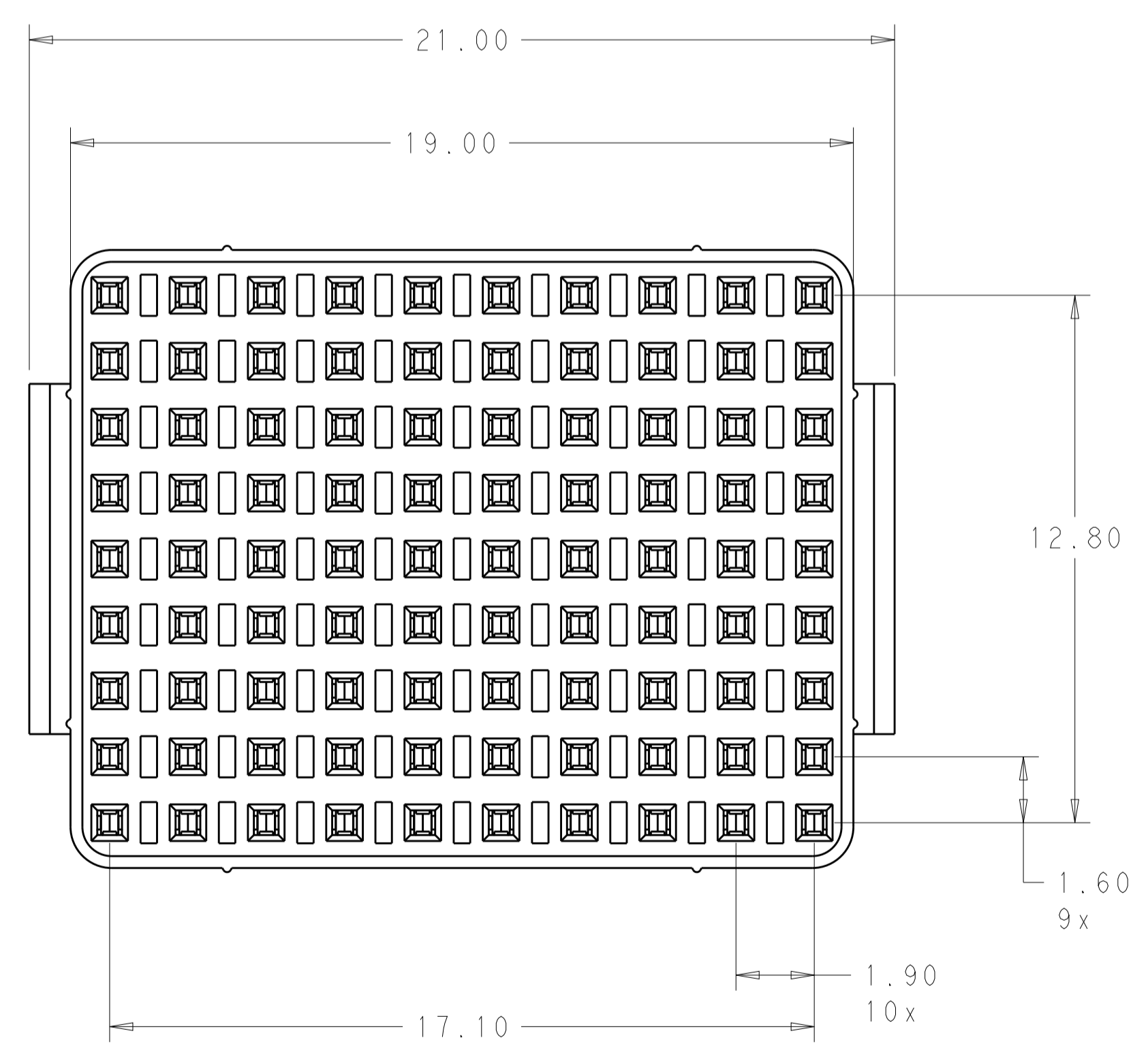
LOC	DIST	REV	DATE	BY	CHK	APPV
		A	27SEP2013	DCB	KT	
		B	29MAY2014	BY	KMT	



RECOMMENDED PC BOARD LAYOUT
COMPONENT SIDE SHOWN
SCALE 8:1

○ = SIGNAL
⊗ = GROUND

- 1 MATERIAL:
CONTACT - COPPER ALLOY
HOUSING - LCP, COLOR: BLACK
- 2 FINISH:
MATING AREA: 1.27µm MIN GOLD OVER
1.27µm MIN NICKEL
COMPLIANT PIN: 0.38µm MIN MATTE TIN OVER
1.27µm MIN NICKEL
- 3 DIMENSION APPLIES TO CENTERLINE OF THRU HOLE
- 4 PER APPLICATION SPEC 114-13267 MANUFACTURING TOLERANCES FOR
Ø0.46±.06 FINISHED HOLE WITH SnPb PLATING
DRILLED HOLE = Ø0.55±.025
Cu PLATING = 0.038±0.013
SnPb PLATING = 0.008±0.004
OR
Ø0.47±.055 FINISHED HOLE WITH OUT SnPb PLATING
DRILLED HOLE = Ø0.55±.025
Cu PLATING = 0.038±0.013
- 5 GROUNDS APPLY WHEN USING 2102436-1 & 2102436-3 MODULE
- 6 FINISH:
MATING AREA: 1.27µm MIN GOLD OVER
1.27µm MIN NICKEL
COMPLIANT TAIL: 0.5µm MIN BRIGHT TIN LEAD OVER
1.27µm MIN NICKEL
- 7 REFERENCE PRINT 2102428 FOR DIMENSIONS.



6	2102438-2
2	2102438-1
FINISH	PART NUMBER

THIS DRAWING IS A CONTROLLED DOCUMENT. DWN: D. BELACK, 10MAR2011. CHK: K. MILLER. APVD: K. THACKSTON. NAME: Fortis Zd, METAL SHELL LRU, VERTICAL MINI-BOX MODULE. PRODUCT SPEC: 108-2409. APPLICATION SPEC: 114-13267. SIZE: CAGE CODE DRAWING NO. RESTRICTED TO: A100779. WEIGHT: ~3.04g. MATERIAL: SEE TABLE. FINISH: SEE TABLE. CUSTOMER DRAWING. SCALE: 8:1. SHEET: 1 OF 1. REV: B.

Mouser Electronics

Authorized Distributor

Click to View Pricing, Inventory, Delivery & Lifecycle Information:

[TE Connectivity:](#)

[2102438-1](#)