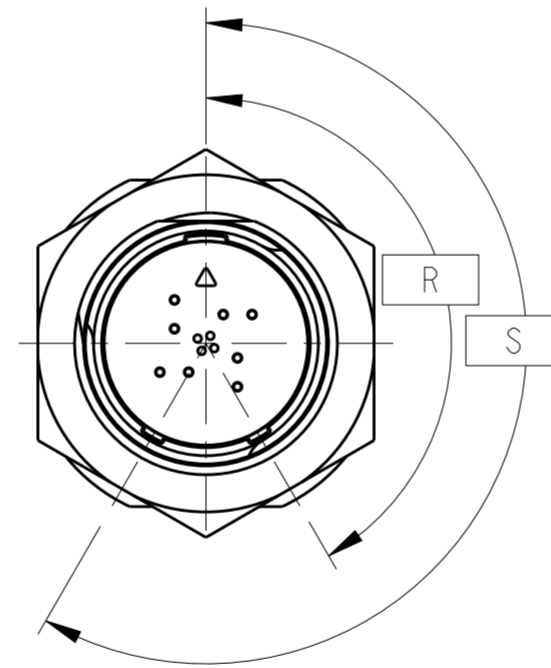
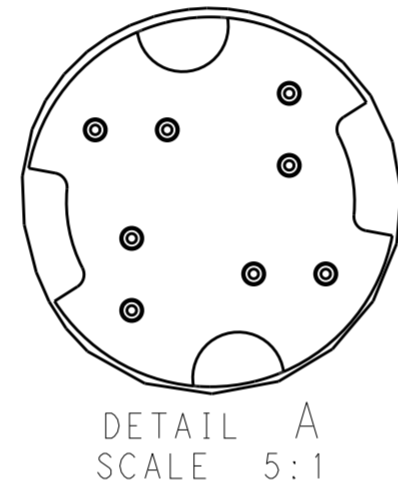
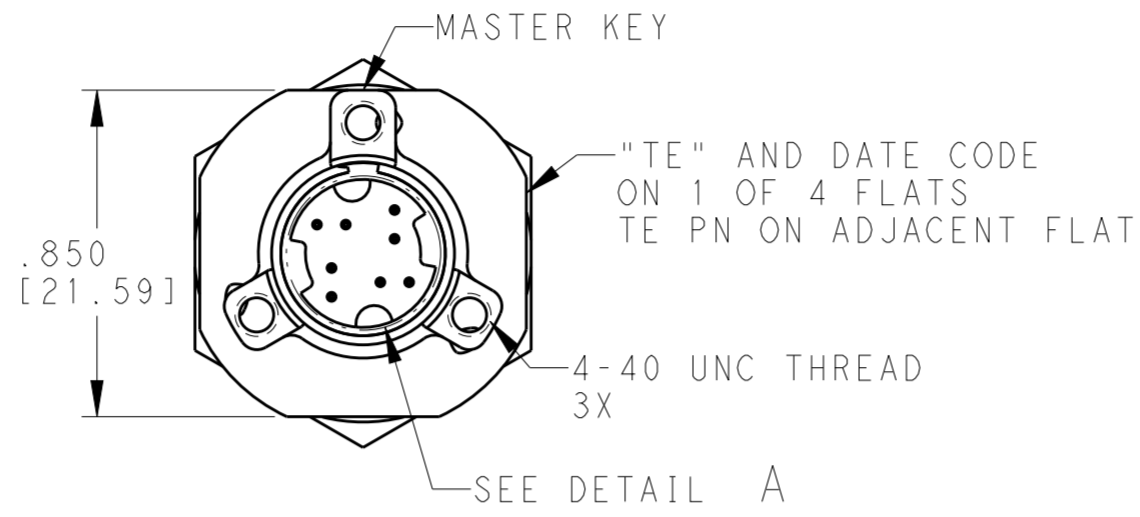
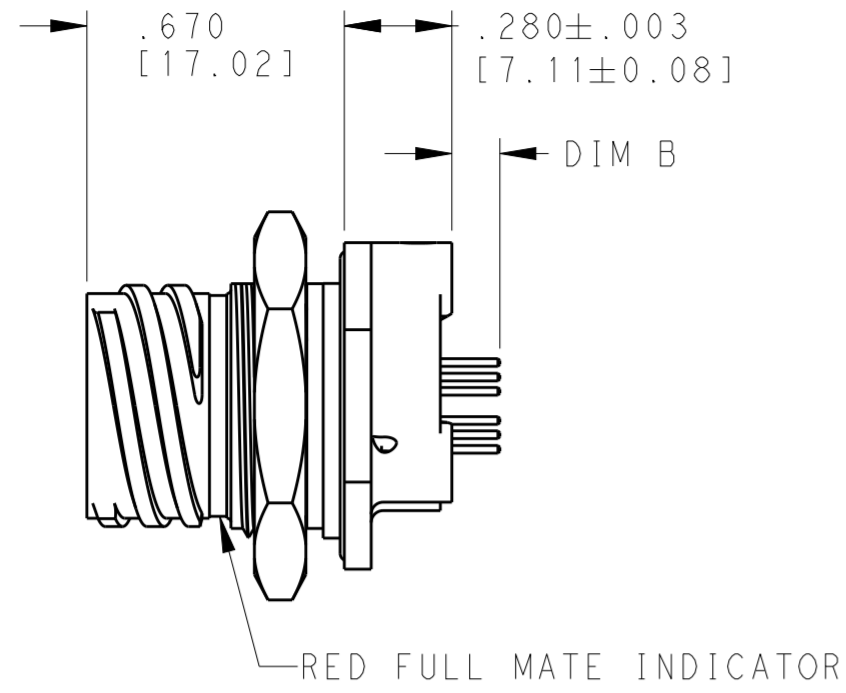
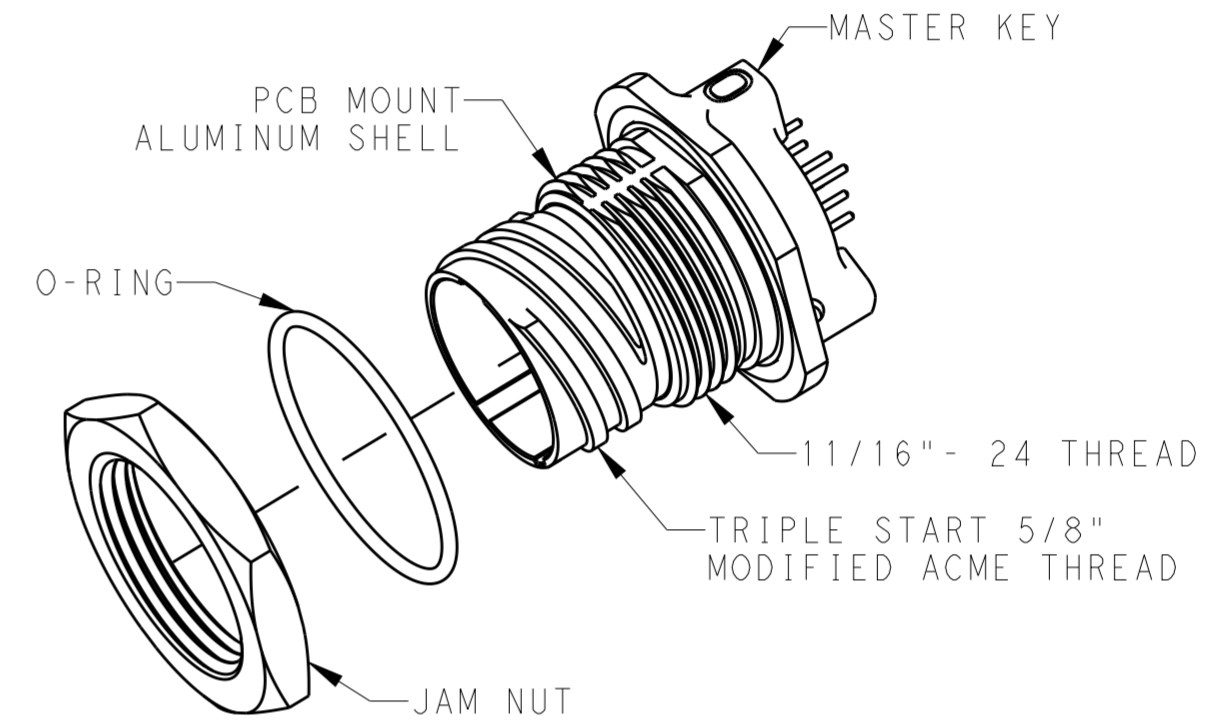


THIS DRAWING IS UNPUBLISHED. RELEASED FOR PUBLICATION  
 © COPYRIGHT - BY - ALL RIGHTS RESERVED.

REVISIONS				
P	LTR	DESCRIPTION	DATE	APVD
6		REV PER ECO-18-006382	10MAY2016	EG DM



KEY OPTIONS	KEY ROTATION	
	"R"	"S"
NORMAL	150°	210°
A	140°	215°
B	132°	248°



.288 [7.31]	4	A	2	1-2102351-4
.288 [7.31]	4	NORMAL	2	1-2102351-3
.125 [3.18]	3	B	2	2102351-6
.125 [3.18]	3	B	1	2102351-5
.125 [3.18]	3	A	2	2102351-4
.125 [3.18]	3	A	1	2102351-3
.125 [3.18]	3	NORMAL	2	2102351-2
.125 [3.18]	3	NORMAL	1	2102351-1
DIM B ±.010 [±0.25]	O-RING	KEYING OPTION	FINISH	PART NUMBER

- 1 FINISH: ELECTROLESS NICKEL PLATE PER MIL-C-26074.
- 2 FINISH: BLACK ZINC NICKEL PER AMS-2417.
- 3 MATERIAL: FLUROSILICONE
- 4 MATERIAL: CONDUCTIVE FLOUROSILICONE.

THIS DRAWING IS A CONTROLLED DOCUMENT.

DWN MCKIBBEN, JOHN  
 CHK DOWHOWER, KENNETH  
 APVD DOWHOWER, KENNETH

STE TE Connectivity

PRODUCT SPEC 108-2482  
 APPLICATION SPEC 114-32025

NAME PCB MOUNT KIT

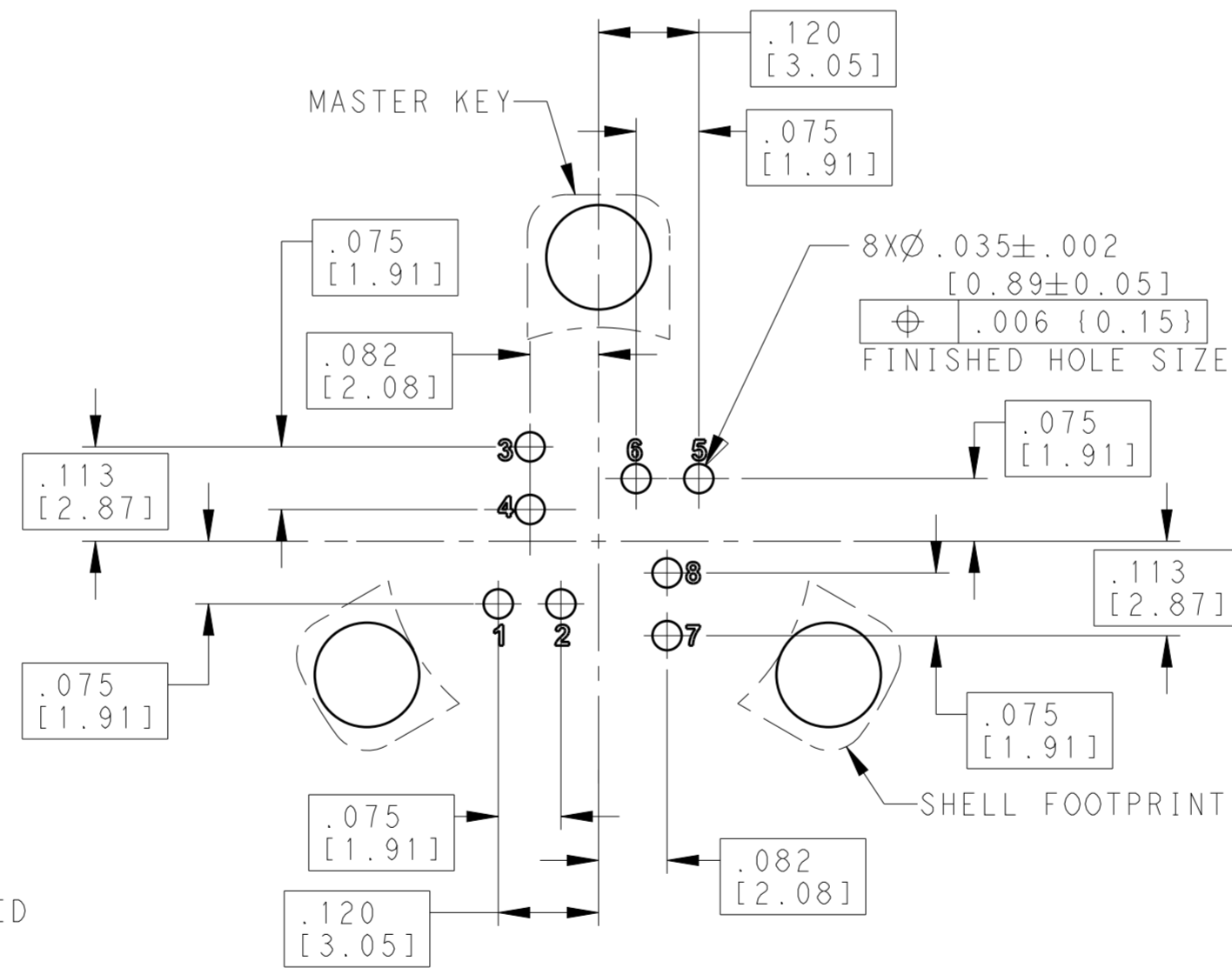
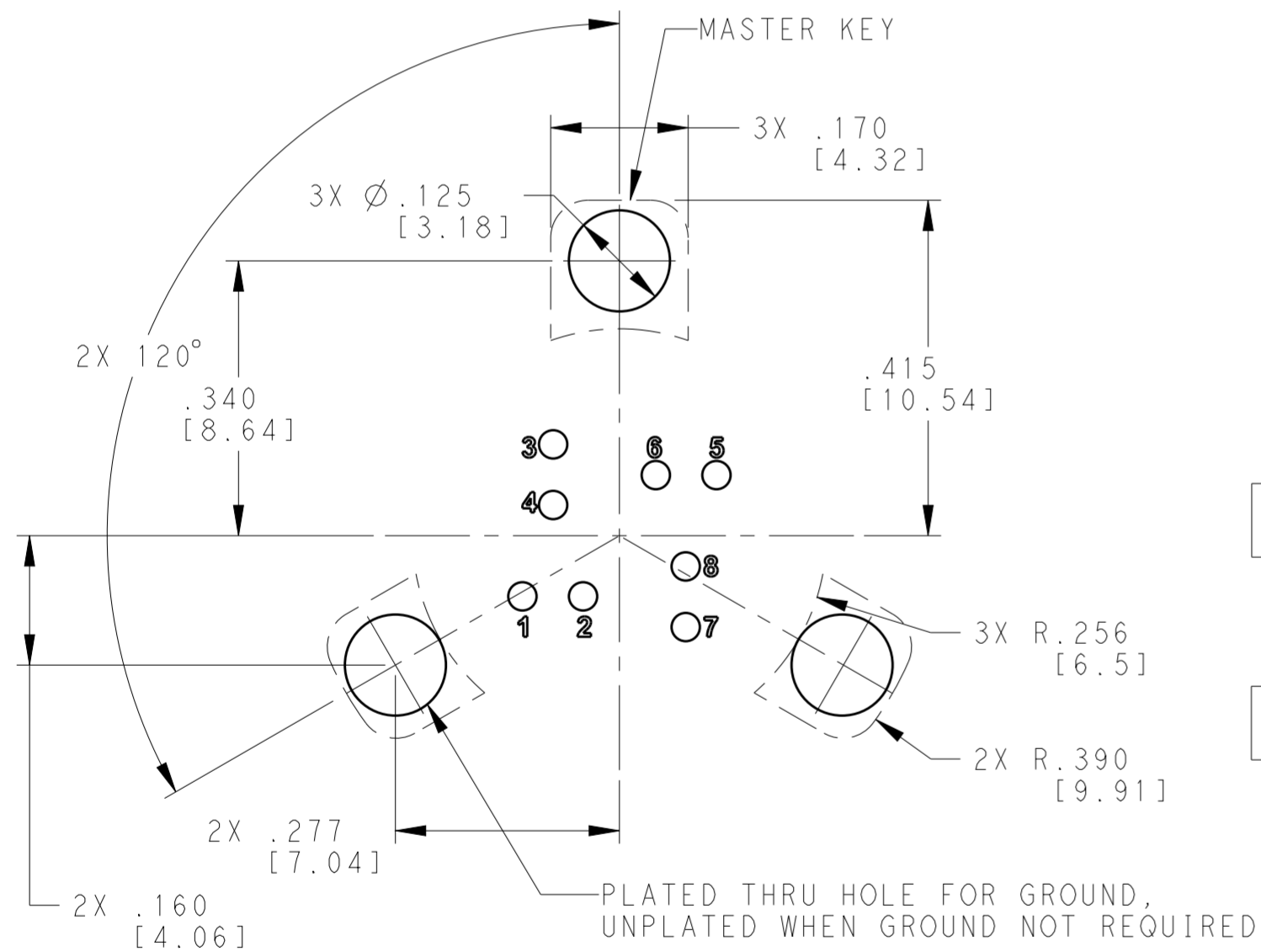
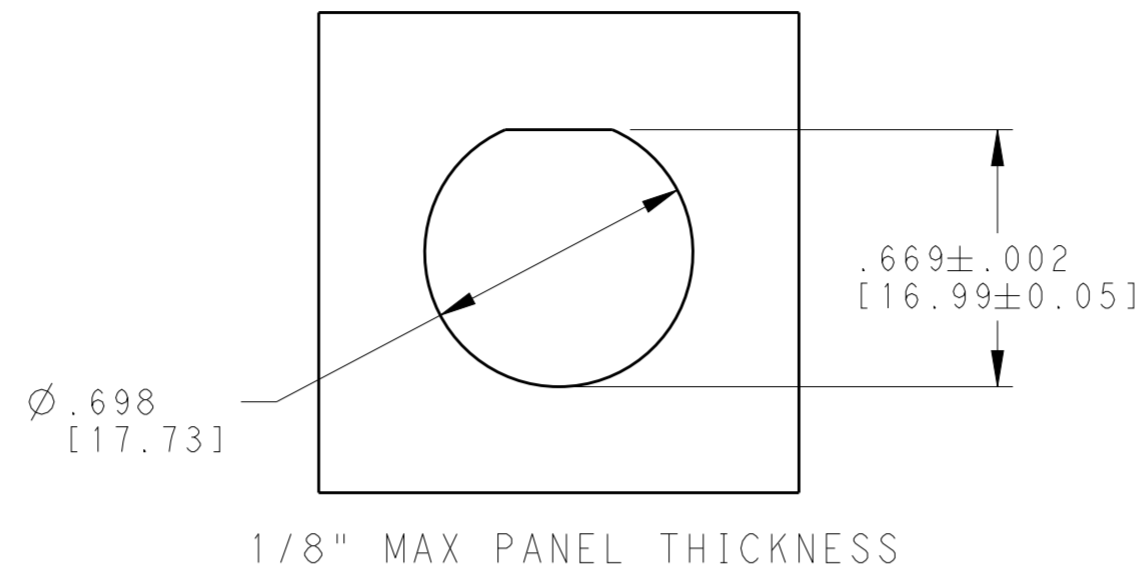
SIZE A2 CAGE CODE 00779 DRAWING NO C-2102351 RESTRICTED TO -

MATERIAL - DIMENSIONS: INCHES [mm] TOLERANCES UNLESS OTHERWISE SPECIFIED: 0 PLC ±, 1 PLC ±, 2 PLC ±, 3 PLC ±.005 [0.13], 4 PLC ±, ANGLES ±, FINISH -

CUSTOMER DRAWING SCALE 2:1 SHEET 1 OF 2 REV G

THIS DRAWING IS UNPUBLISHED. RELEASED FOR PUBLICATION 20  
 © COPYRIGHT 20 BY - ALL RIGHTS RESERVED.

REVISIONS				
P	LTR	DESCRIPTION	DATE	APVD
-		SEE SHEET 1	-	-



MOUNTING HOLE INFORMATION  
RECOMMENDED BOARD LAYOUT

PC BOARD TOP VIEW  
SOLDER TAIL HOLE INFORMATION

THIS DRAWING IS A CONTROLLED DOCUMENT.		DWN MCKIBBEN, JOHN	040C12011	
DIMENSIONS: INCHES [mm]		CHK DOWHOWER, KENNETH	040C12011	
TOLERANCES UNLESS OTHERWISE SPECIFIED:		APVD DOWHOWER, KENNETH	040C12011	
0 PLC ±		PRODUCT SPEC		
1 PLC ±		108-2482		
2 PLC ±		APPLICATION SPEC		
3 PLC ±.005 [0.13]		114-32025		
4 PLC ±		WEIGHT		
ANGLES ±		CUSTOMER DRAWING		
FINISH		SCALE 5:1 SHEET 2 OF 2 REV G		
		DWN MCKIBBEN, JOHN		040C12011
		CHK DOWHOWER, KENNETH		040C12011
		APVD DOWHOWER, KENNETH		040C12011
		NAME PCB MOUNT KIT		RESTRICTED TO
		SIZE A200779		DRAWING NO C-2102351

# Mouser Electronics

Authorized Distributor

Click to View Pricing, Inventory, Delivery & Lifecycle Information:

[TE Connectivity:](#)

[2102351-2](#)