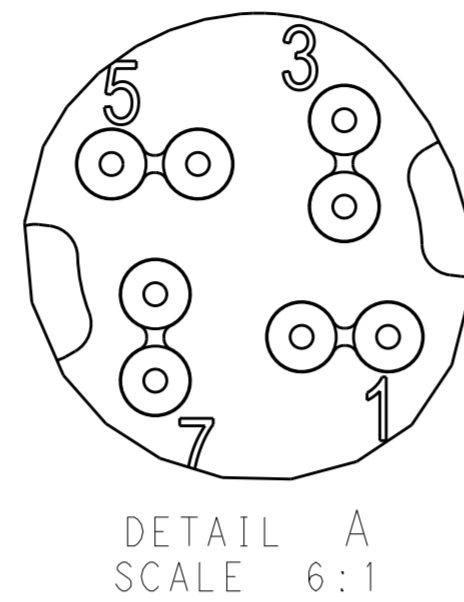
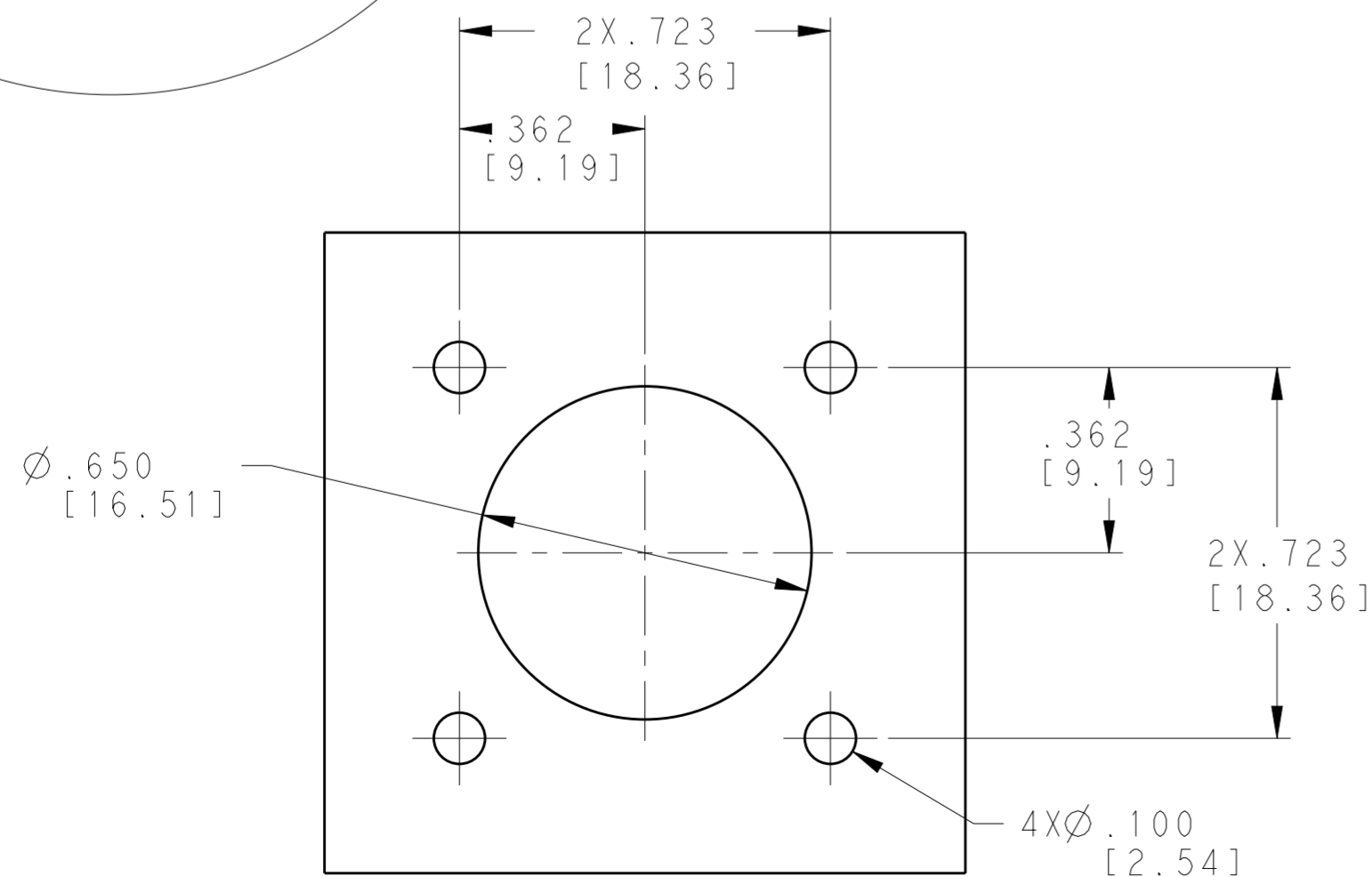
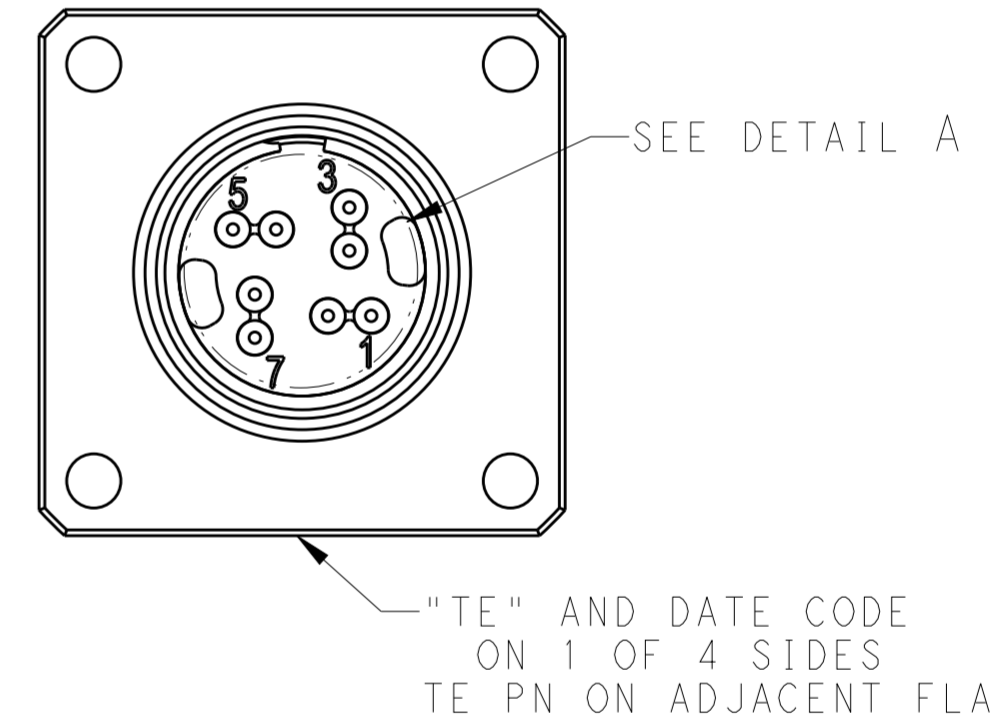
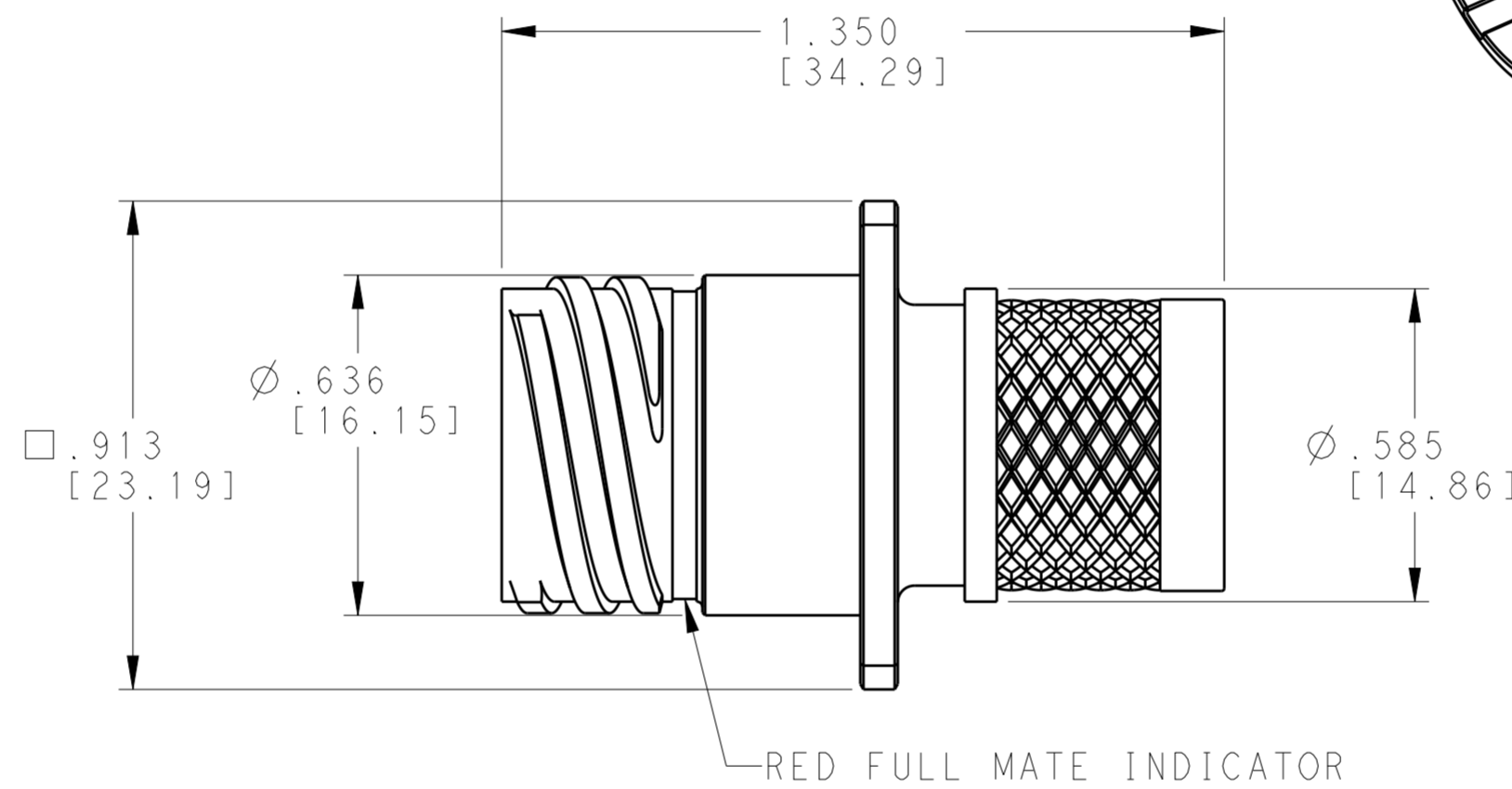
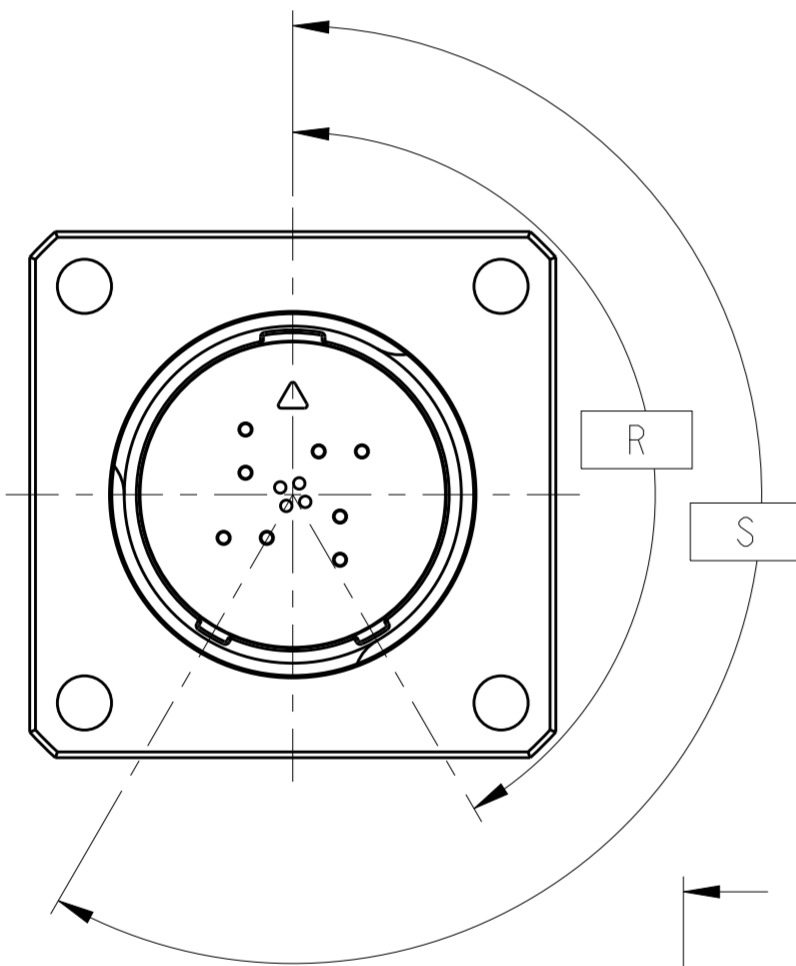
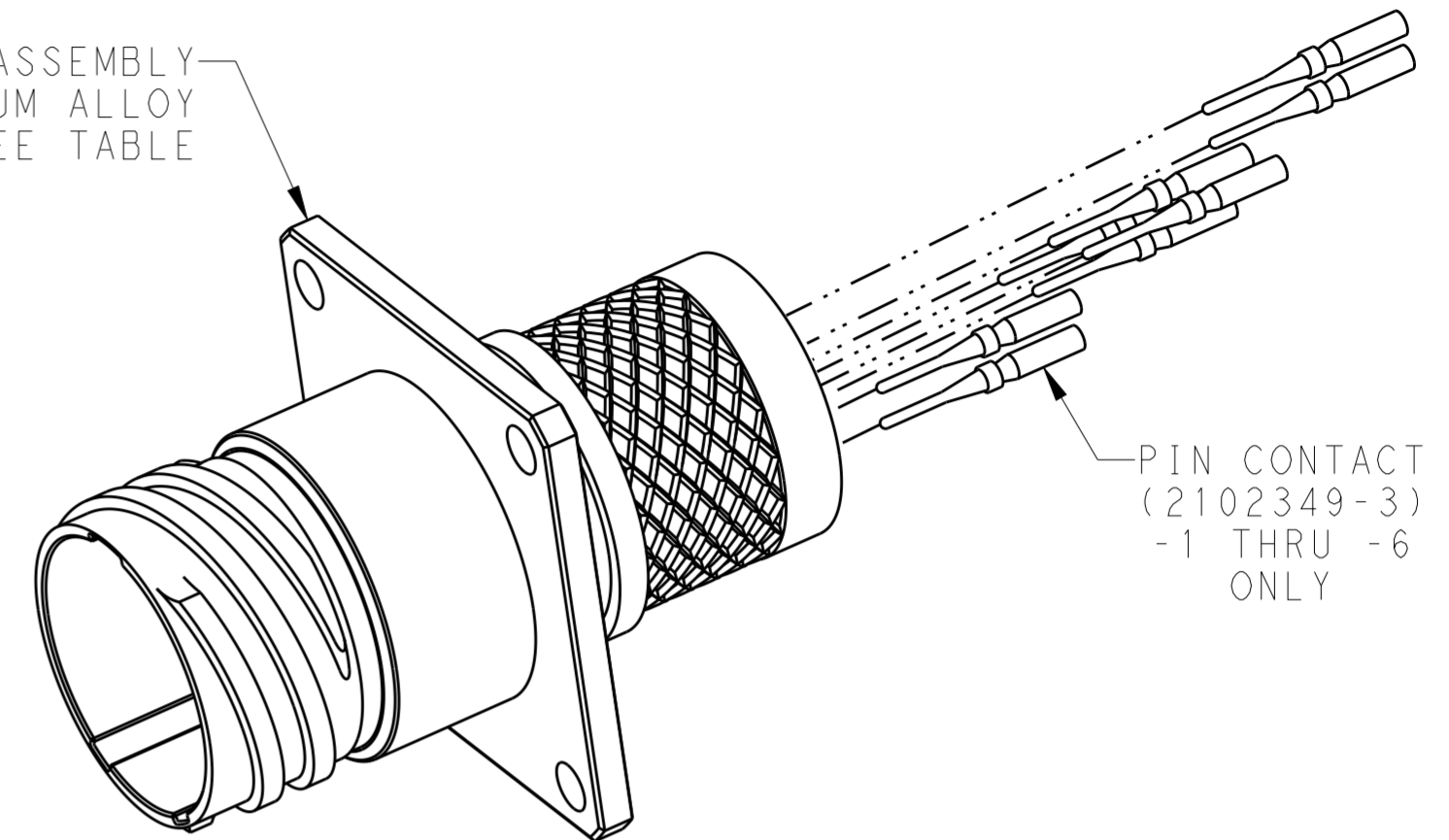


REVISIONS					
P	LTR	DESCRIPTION	DATE	DWN	APVD
E		REV PER ECO 20-012260	9-2-20	CT	DM

KEY OPTION	KEY ROTATION	
	"R"	"S"
NORMAL	150°	210°
A	140°	215°
B	132°	248°



RECEPTACLE ASSEMBLY
SHELL MAT'L: ALUMINUM ALLOY
FINISH: SEE TABLE



---	NORMAL	BLACK ZINC NICKEL PLATE	2102343-8
---	NORMAL	NICKEL PLATE	2102343-7
10	B	BLACK ZINC NICKEL PLATE	2102343-6
10	B	NICKEL PLATE	2102343-5
10	A	BLACK ZINC NICKEL PLATE	2102343-4
10	A	NICKEL PLATE	2102343-3
10	NORMAL	BLACK ZINC NICKEL PLATE	2102343-2
10	NORMAL	NICKEL PLATE	2102343-1
PIN CONTACT QTY 50um GOLD PLATE	KEYING OPTION	FINISH	PART NUMBER

THIS DRAWING IS A CONTROLLED DOCUMENT. DIMENSIONING AND TOLERANCING PER ASME Y14.5M (ISO STANDARDS)		DWN MCKIBBEN, JOHN CHK DOWHOWER, KENNETH APVD DOWHOWER, KENNETH		
DIMENSIONS: INCHES [mm]		PRODUCT SPEC 108-2482		NAME RECEPTACLE ASSEMBLY KIT
TOLERANCES UNLESS OTHERWISE SPECIFIED: 0 PLC ± 1 PLC ± 2 PLC ± 3 PLC ±.005 [0.13] 4 PLC ± ANGLES ± FINISH SEE TABLE		APPLICATION SPEC 114-32025		SIZE A200779
MATERIAL -		WEIGHT -		DRAWING NO. C-2102343
CUSTOMER DRAWING		SCALE 3:1		SHEET 1 OF 1 REV E

Mouser Electronics

Authorized Distributor

Click to View Pricing, Inventory, Delivery & Lifecycle Information:

[TE Connectivity:](#)

[2102343-2](#)