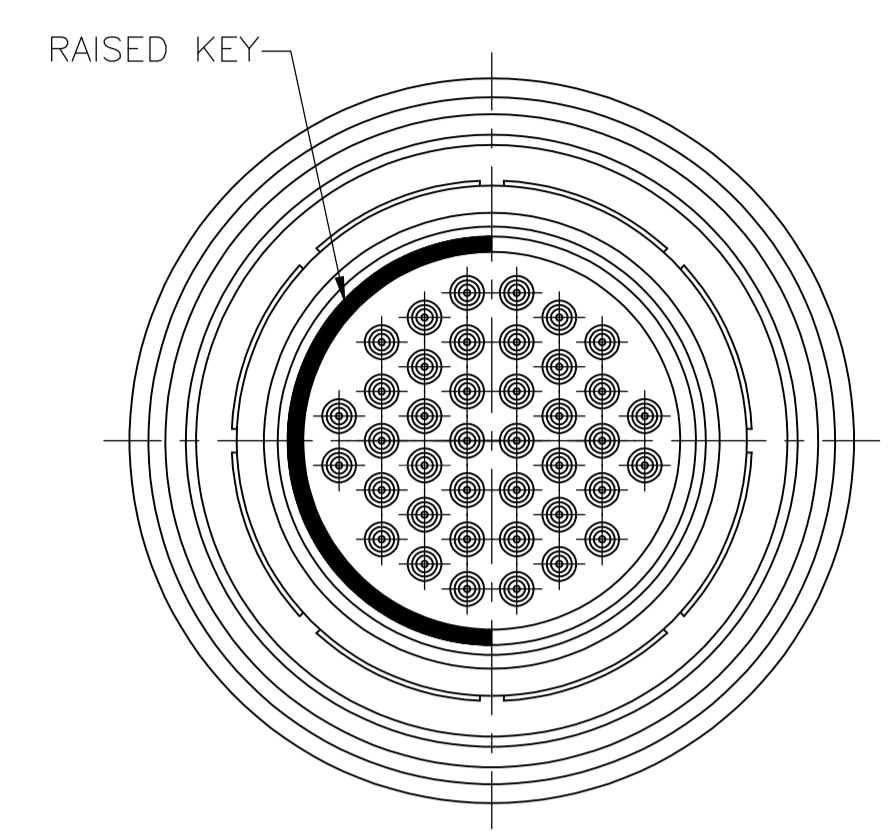
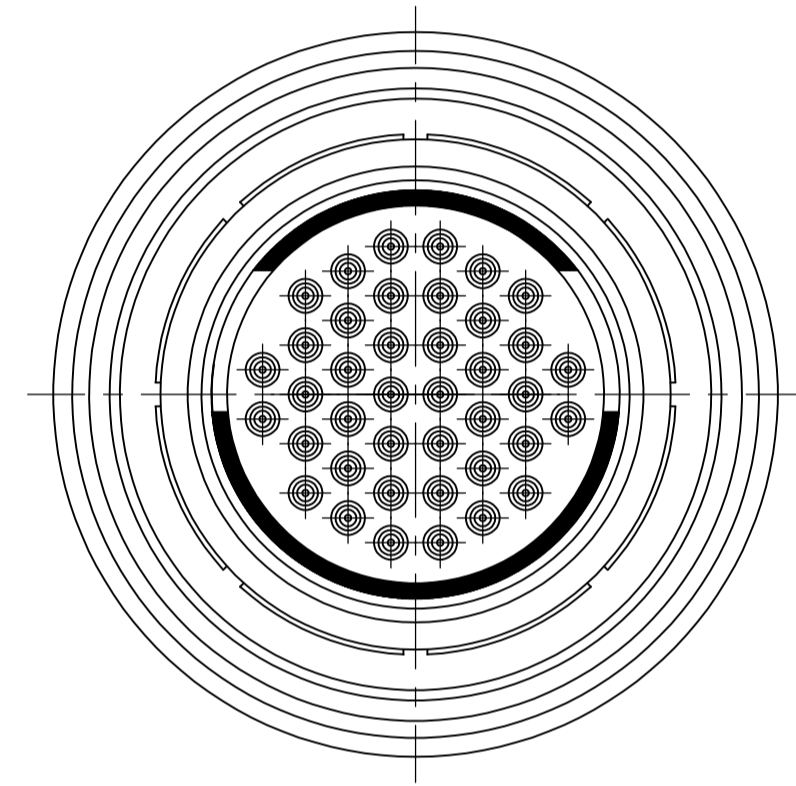


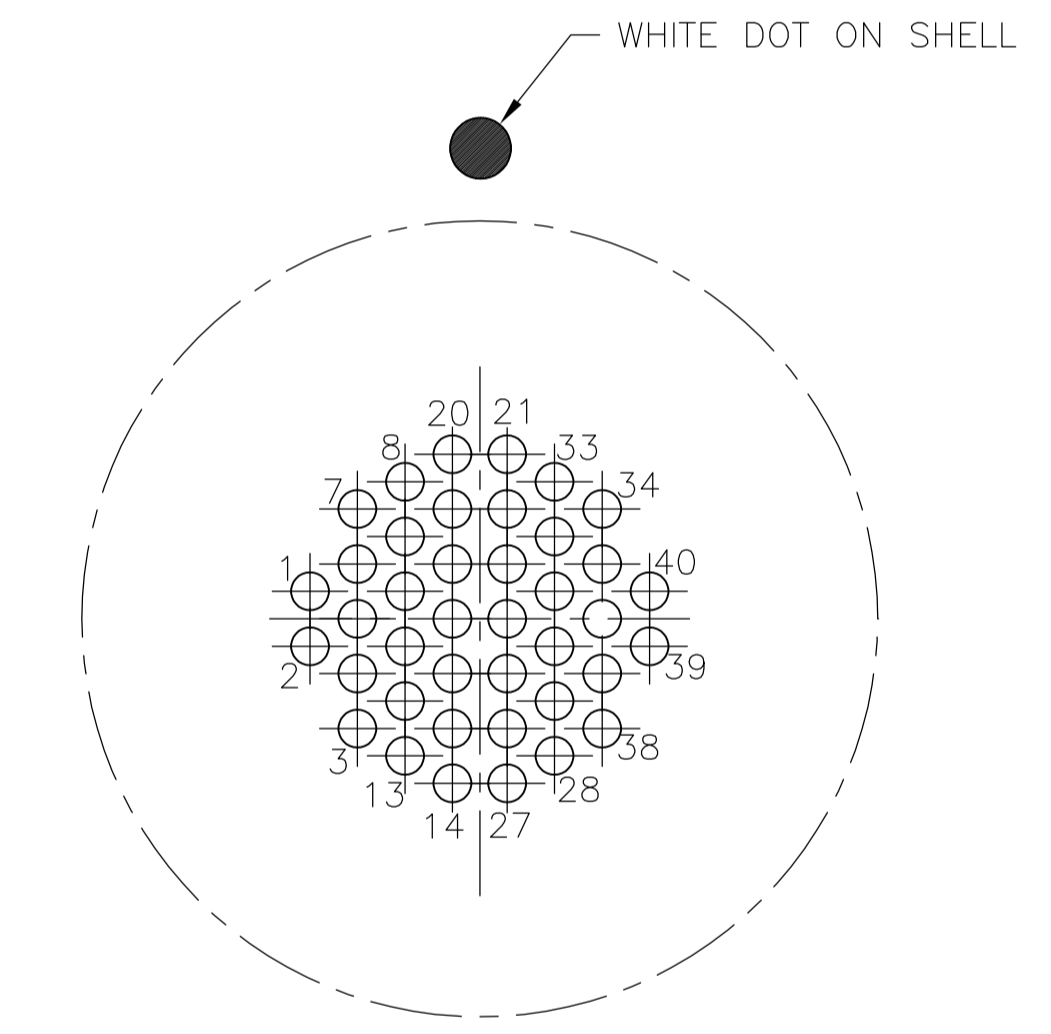
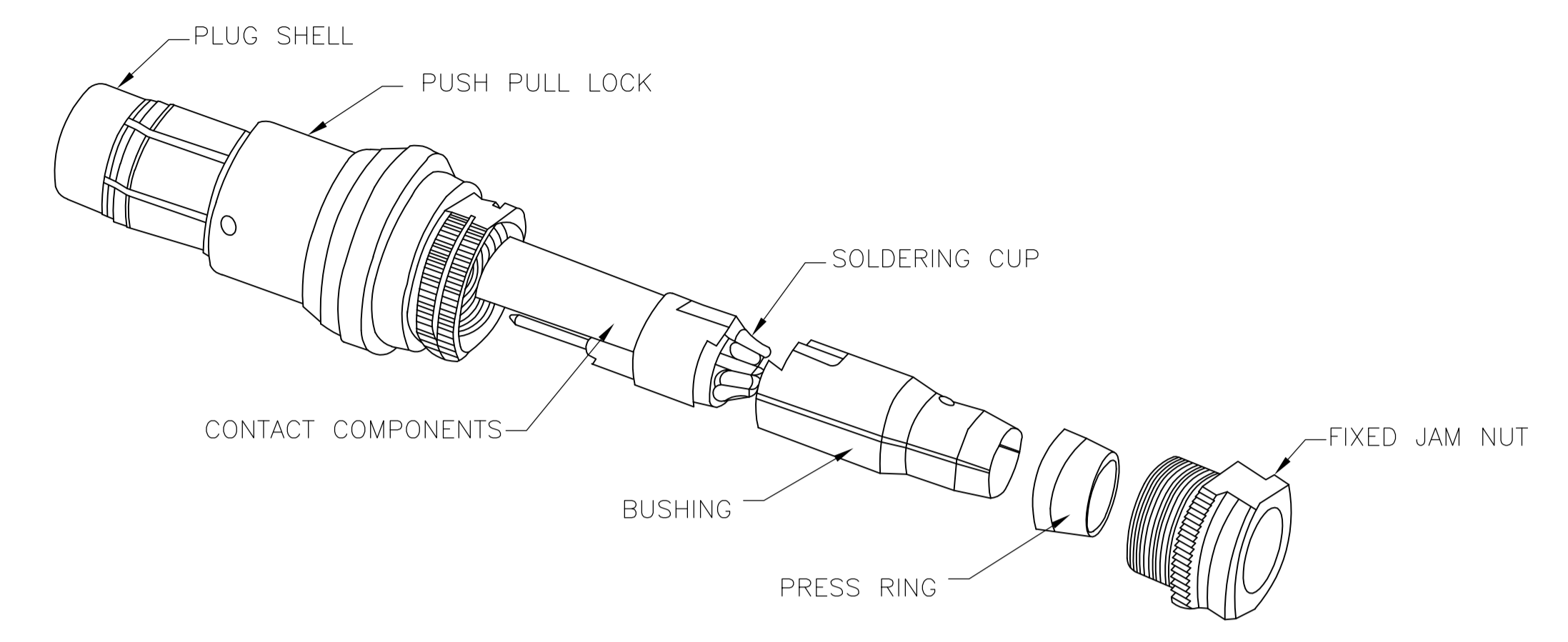
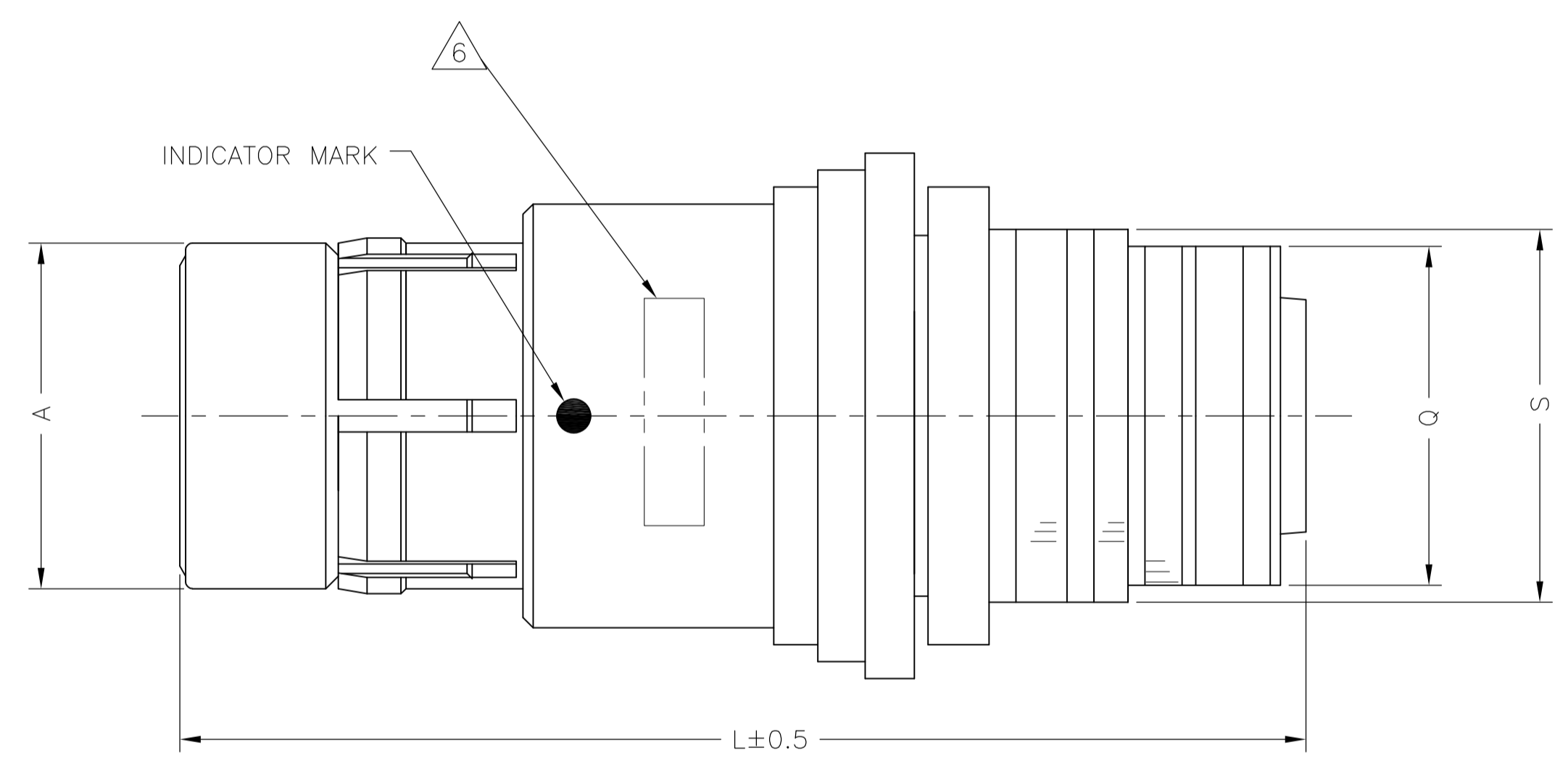
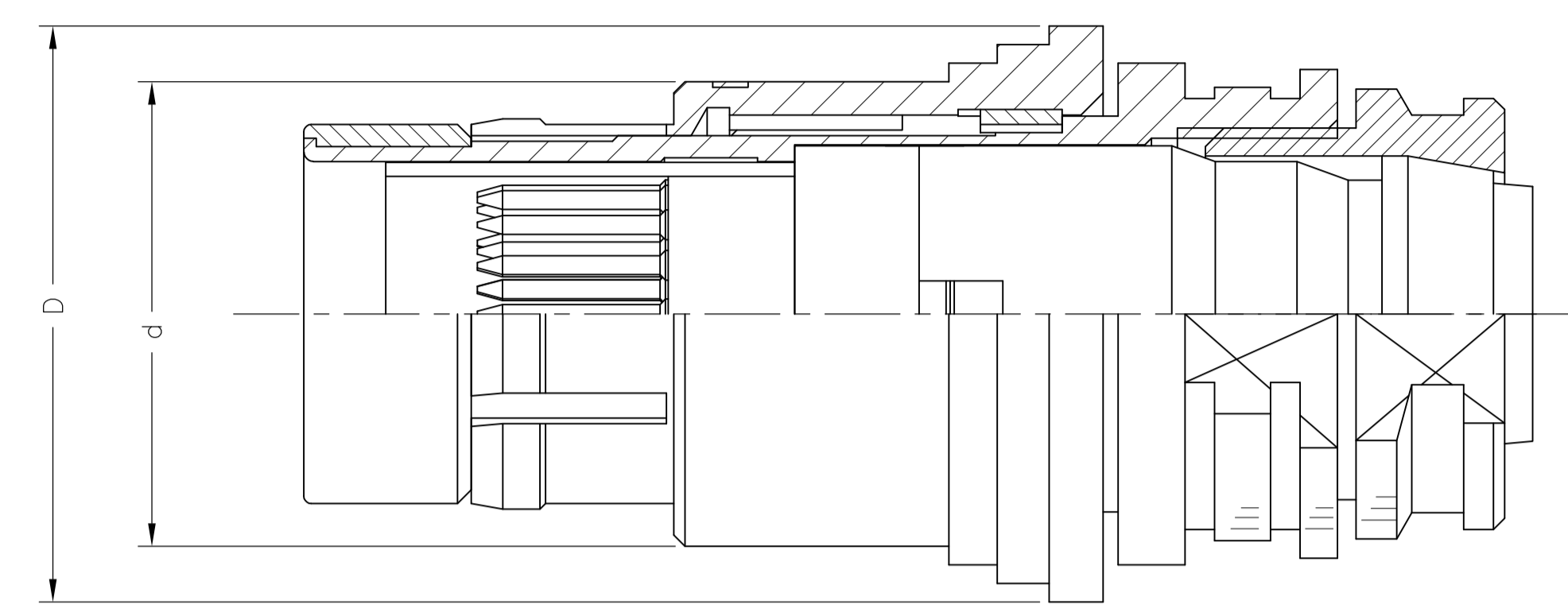
LOC		DIST		REVISIONS			
P	LTR	DESCRIPTION	DATE	DWN	APVD		
C		REVISED PER ECO 13-001843.	08FEB2013	MGM	CT		



SINGLE POLARIZATION



DOUBLE POLARIZATION



CAVITY IDENTIFICATION WHEN VIEWED FROM REAR OF THE CONNECTOR

- 1. DWV RATING: 725VAC @ SEA LEVEL
- 2. WIRE SIZE: 28 AWG MAX
- 3. WORKING TEMPERATURE: -55°C ~ +125°C
- 4 MATERIAL: CONTACT : COPPER ALLOY
SHELL : COPPER ALLOY
INSULATOR : PEEK
- 5 FINISH CONTACT: GOLD OVER NICKEL
SHELL : BLACK CHROMIUM
- 6 PART IS MARKED WITH THE TE PART NUMBER,
CHINA, DATE CODE AND LOT I.D.
- 7 ALL TOLERANCES TO BE ±0.20MM UNLESS NOTED.

CHROMIUM-BLACK	DOUBLE	SOLDERING	15	16	42.9	∅18	∅21.3	5	2101551-2
CHROMIUM-BLACK	SINGLE	SOLDERING	15	16	42.9	∅18	∅21.3	5	2101551-1
FINISH	POLARIZATION	TERMINATION	Q	S	L	d	D	SHELL SIZE	TE PART NUMBER

THIS DRAWING IS A CONTROLLED DOCUMENT.

DIMENSIONS: mm	TOLERANCES UNLESS OTHERWISE SPECIFIED:	0 PLC ± -	1 PLC ± -	2 PLC ± 0.20	3 PLC ± -	4 PLC ± -	ANGLES ± °	FINISH

DIN C.C. THOMAS 21AUG2009
 CHK R. GROSS 21AUG2009
 APVD R. GROSS 21AUG2009
 NAME: CIRCULAR HD PLUG WITH PINS, SOLDER CUP 40 POS
 PRODUCT SPEC: 108-127005
 APPLICATION SPEC: -
 SIZE: A1
 CAGE CODE: 00779
 DRAWING NO: 2101551
 WEIGHT: -
 CUSTOMER DRAWING
 SCALE: NTS
 SHEET: 1 OF 1
 REV: C

Mouser Electronics

Authorized Distributor

Click to View Pricing, Inventory, Delivery & Lifecycle Information:

[TE Connectivity:](#)

[2101551-2](#)