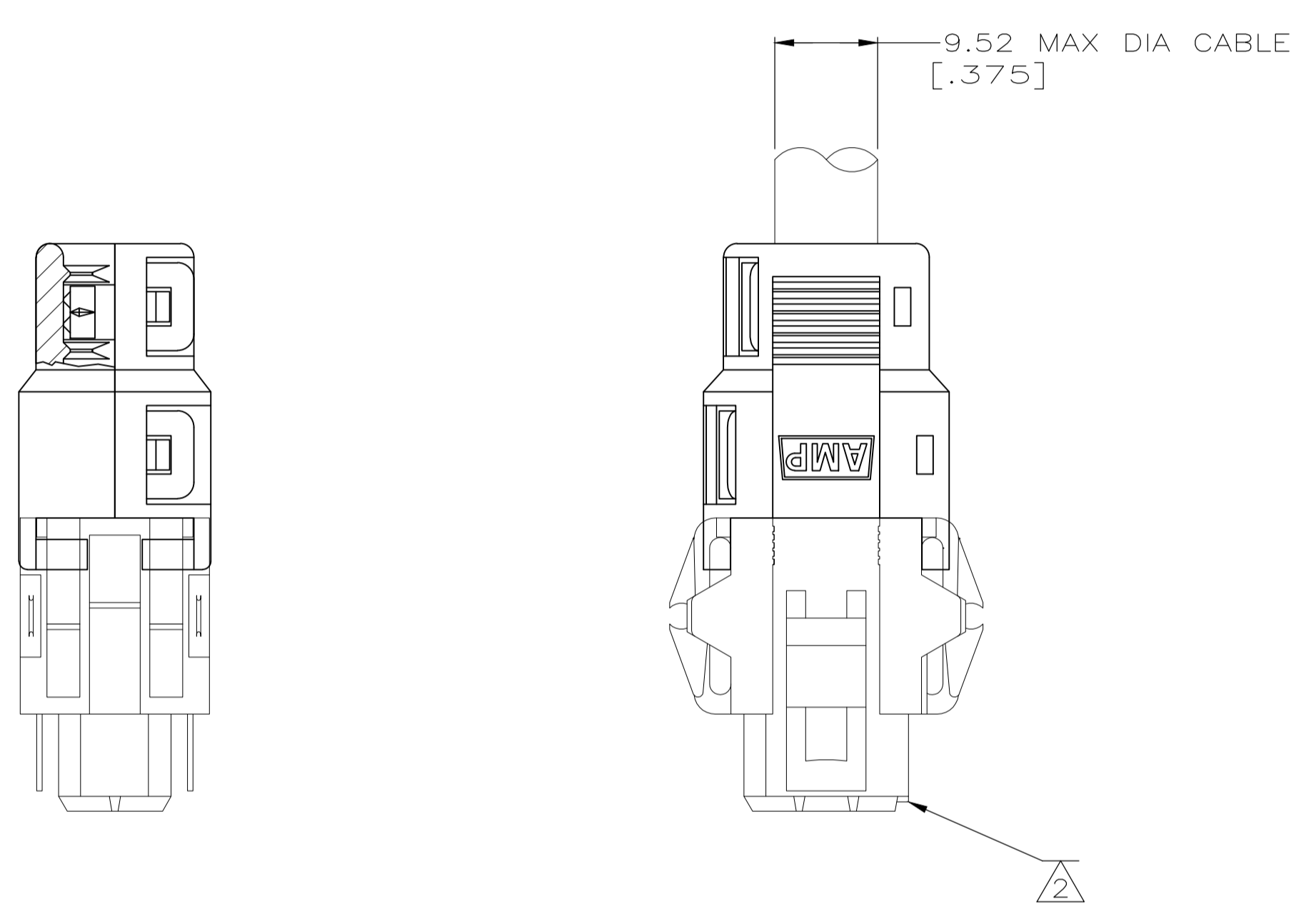
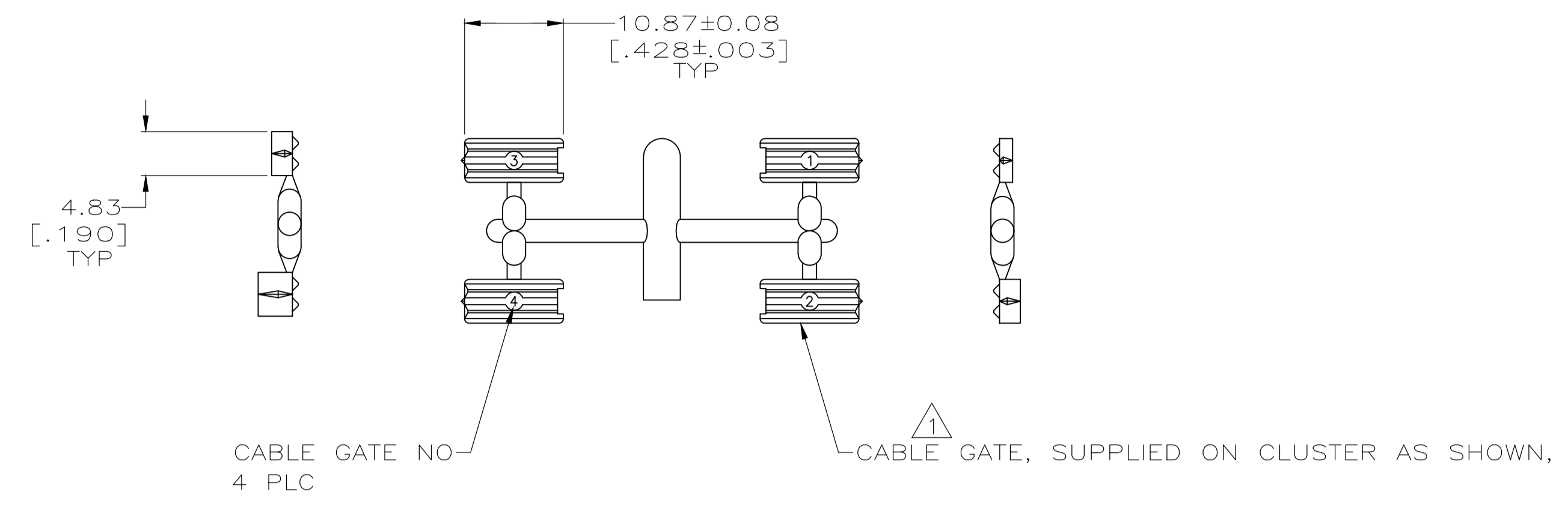
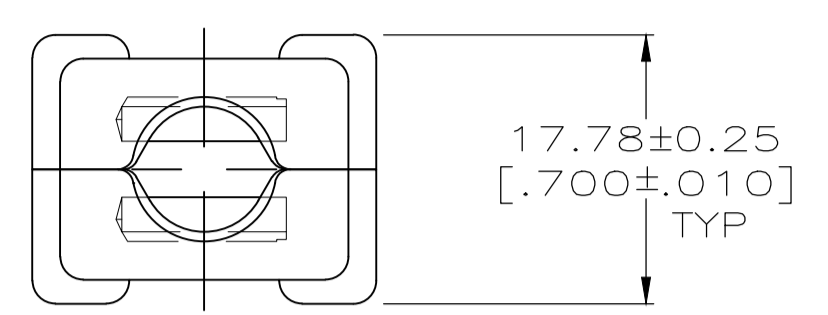
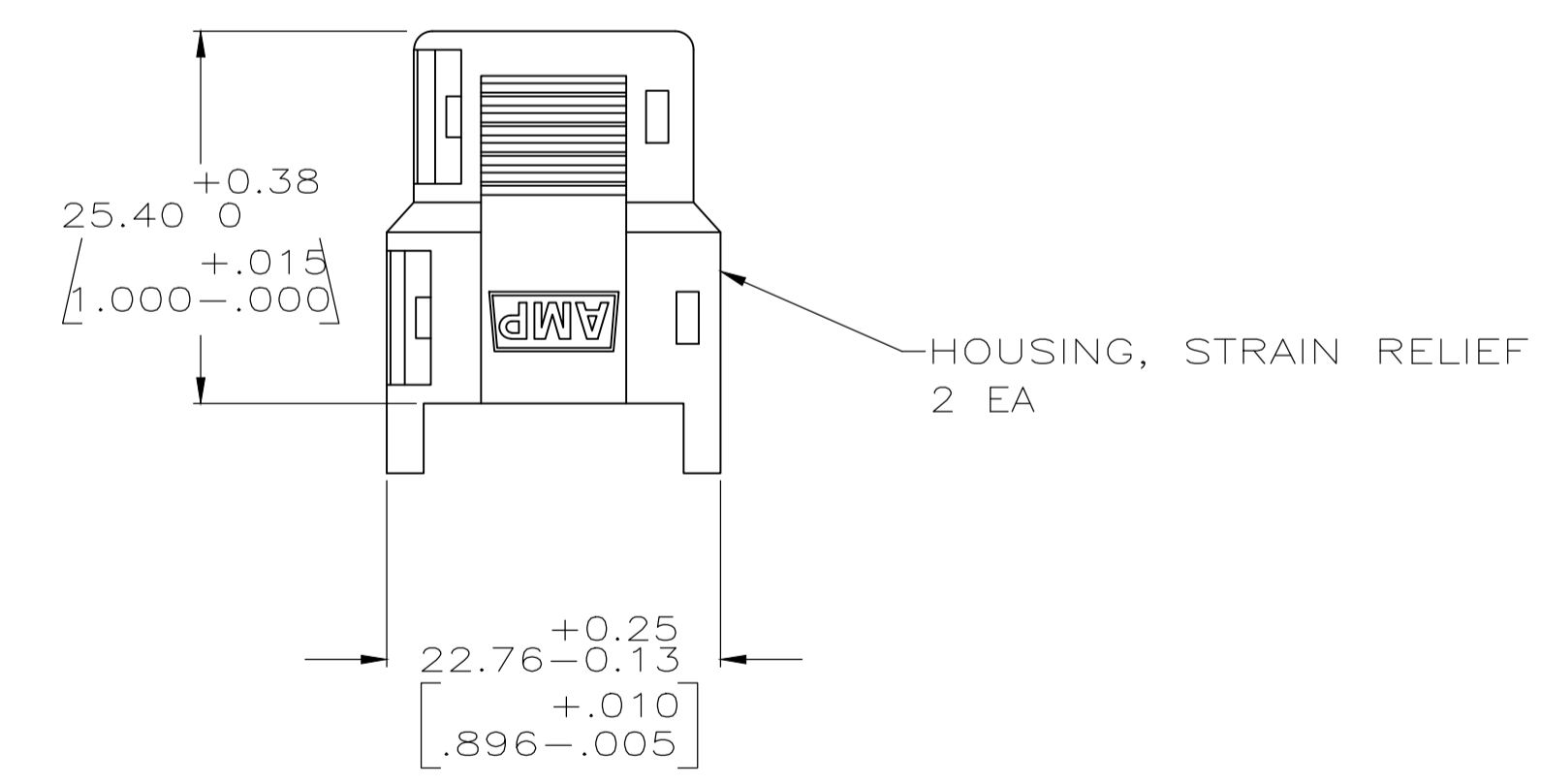
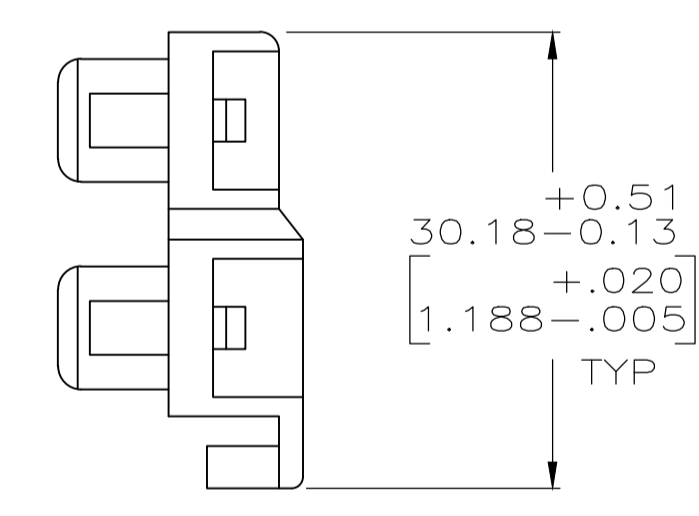
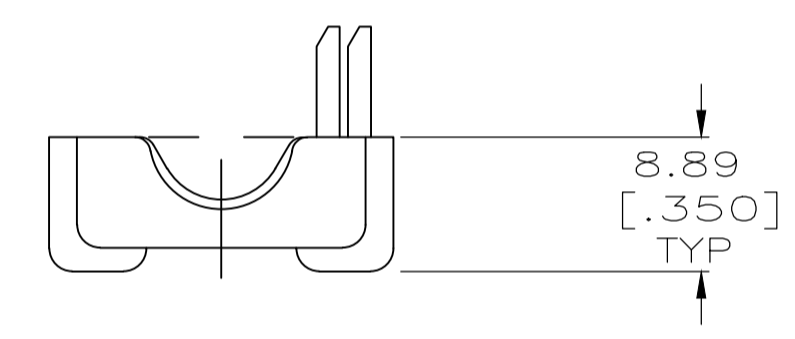


REVISIONS					
P	LYR	DESCRIPTION	DATE	OWN	APVD
G		REVISED PER ECO-20-002047	20FEB2020	RK	MZ



ASSEMBLED VIEW



- ⚠ A VARIETY OF CABLE GATES ARE PROVIDED TO ACCOMMODATE A VARIETY OF CUSTOMER CABLE SIZES.
- ⚠ PLUG SHOWN FOR REFERENCE ONLY. STRAIN RELIEF CAN BE USED ON EITHER PLUG OR RECEPTACLE.
- ⚠ HOUSING MATERIAL: PA66, BLACK, UL 94 V-0 RATED.

207600-1
PART NUMBER

THIS DRAWING IS A CONTROLLED DOCUMENT.		DIN J McCLINTON 1-26-92		R STONE 1-29-92	
DIMENSIONS: INCHES		TOLERANCES UNLESS OTHERWISE SPECIFIED:		NAME	
0. PLC	± .005	1. PLC	± .005	PRODUCT SPEC	
1. PLC	± .005	2. PLC	± .010	108-10033	
2. PLC	± .010	3. PLC	± .010	APPLICATION SPEC	
3. PLC	± .010	4. PLC	± .010	SIZE	
4. PLC	± .010	ANGLES	± .010	CAGE CODE	
MATERIAL		FINISH		DRAWING NO	
⚠		-		A1 00779 C=207600	
WEIGHT		-		RESTRICTED TO	
CUSTOMER DRAWING		SCALE 2:1		SHEET 1 OF 1 REV G	

Mouser Electronics

Authorized Distributor

Click to View Pricing, Inventory, Delivery & Lifecycle Information:

[TE Connectivity:](#)

[207600-1](#)