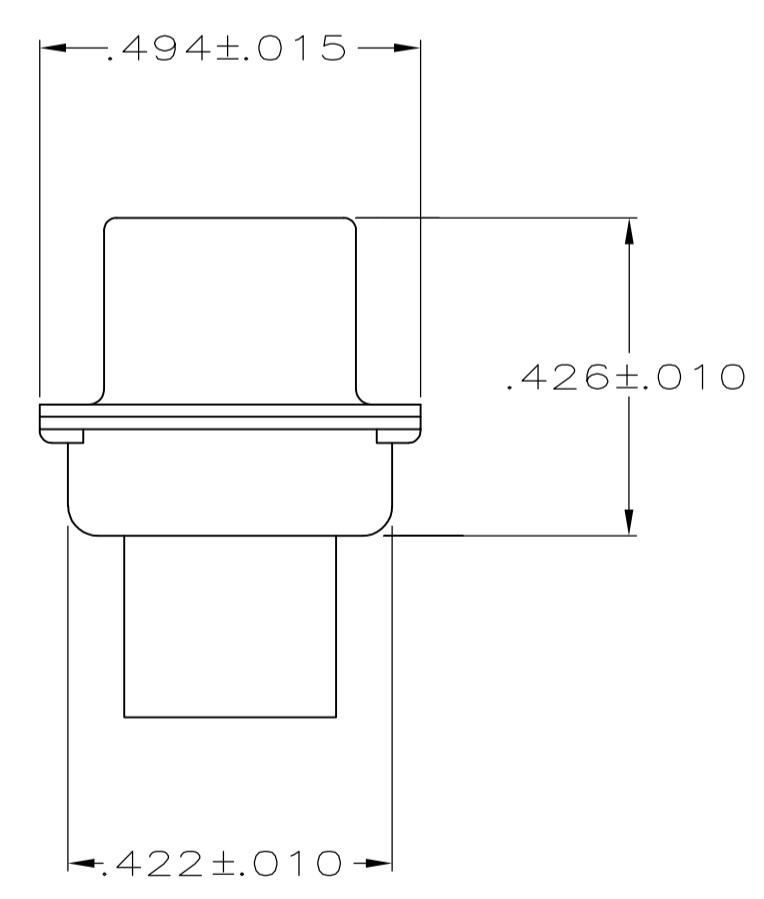
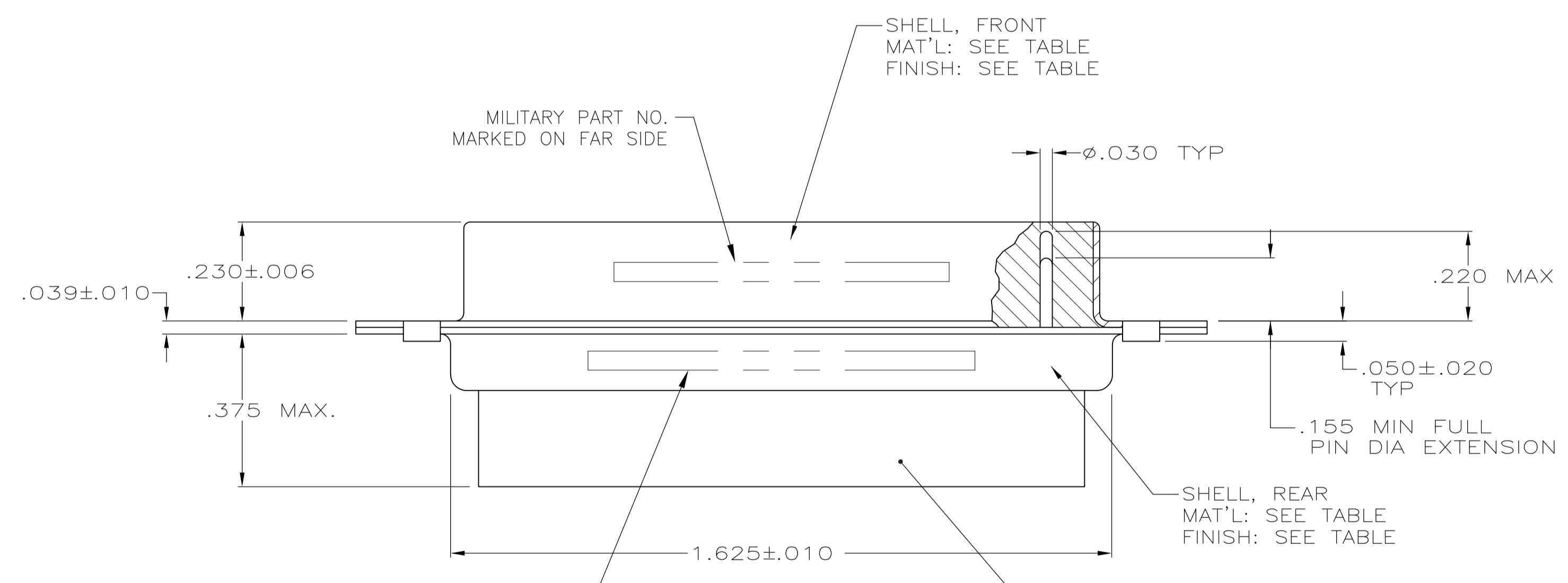
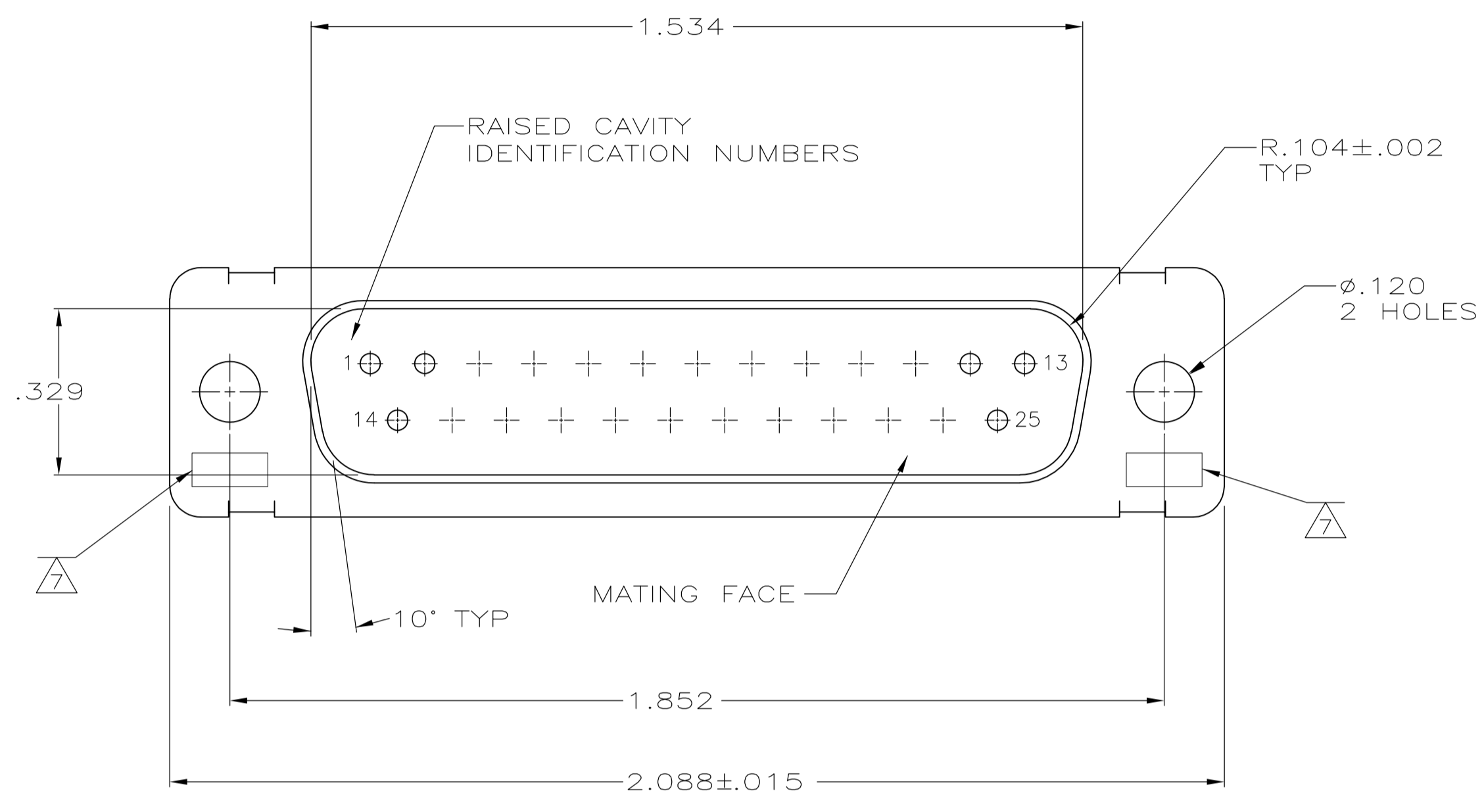


LOC		DIST		REVISIONS			
P	LTR	DESCRIPTION	DATE	DNW	APVD		
S		REV PER ECO-15-016062	10NOV15	KG	CD		

- THIS PLUG IS DESIGNED TO CONFORM TO THE LATEST ISSUE OF MIL-C-24308.
- MAXIMUM WIRE INSULATION TO BE USED WITH THIS PLUG IS $\phi.068$.
- STAINLESS STEEL RETENTION CLIPS ARE INCLUDED IN INSERTS.
- ~~PACKAGE STAMPED M 24308/4 261F.~~
- THIS PLUG WILL ACCEPT SIZE 20 PIN CONTACT M39029/64-369 OR ANY TYCO HD-20 PIN CONTACT.
- $\triangle 6$ MFG'S PART NO. STAMPED ON CONNECTOR REPRESENTS KIT NUMBER WITH CONTACTS.
- $\triangle 7$ UL/CSA DESIGNATION STAMPED IN THIS AREA.
- ~~TE CONNECTIVITY, 205560-2, & DATE CODE INK STAMPED, FAR SIDE.~~
- ~~TE CONNECTIVITY, 205166-4 INK STAMPED, FAR SIDE.~~
- $\triangle 10$ FINISH: BRIGHT TIN PER ASTM-B-545 .000400-.000550 THK OVER COPPER PER AMS2418 .000050 MIN THK.
- $\triangle 11$ FRONT SHELL HAS GROUNDING INDENTS, 205166-4 ONLY, (NOT SHOWN).
- ~~M24308/4 F INK STAMPED, FAR SIDE.~~



MFG'S NAME, BRAND OR LOGO, MFG'S PART NO. & DATE CODE MARKED ON FAR SIDE

MILITARY PART NO. MARKED ON FAR SIDE

INSERT ASSY MATERIAL PER MIL-DTL-24308

REMARKS	MILITARY PART NO. MARKED ON PACKAGE	MILITARY PART NO. MARKED ON CONNECTOR	MFG'S PART NO. MARKED ON CONNECTOR	FINISH	SHELL MATERIAL	PART NO.
-	-	-	205166-5	$\triangle 10$	STEEL, CLASS G	205166-5
$\triangle 11$	-	-	205166-4	$\triangle 10$	STEEL, CLASS G	205166-4
SUPSD BY 206800-2	-	-	-	CADMIUM PER QQ-P-416	BRASS	205166-2
$\triangle 6$	M24308/4-261F	M24308/4-3F	205560-2	CADMIUM PER QQ-P-416	STEEL, CLASS G	205166-1

THIS DRAWING IS A CONTROLLED DOCUMENT.

DIMENSIONS: INCHES	TOLERANCES UNLESS OTHERWISE SPECIFIED:	DIN C.C.THOMAS 08-DEC-87	APVD F.C.BALLEW 10-DEC-87
0 PLC ± -	1 PLC ± -	2 PLC ± -	3 PLC ± .005
4 PLC ± -	ANGLES ± # 0'30"	NAME: AMPLIMITE PLUG FOR PIN CONTACTS HI-DENSITY HD-20 CONNECTOR SIZE 3 (25 POSN) SERIES 109	

MATERIAL: SEE CALLOUTS FINISH: SEE CALLOUTS WEIGHT: - SIZE: A1 00779 C=205166

CUSTOMER DRAWING SCALE: 4:1 SHEET: 1 OF 1 REV: S

Mouser Electronics

Authorized Distributor

Click to View Pricing, Inventory, Delivery & Lifecycle Information:

[TE Connectivity:](#)

[205166-1](#)