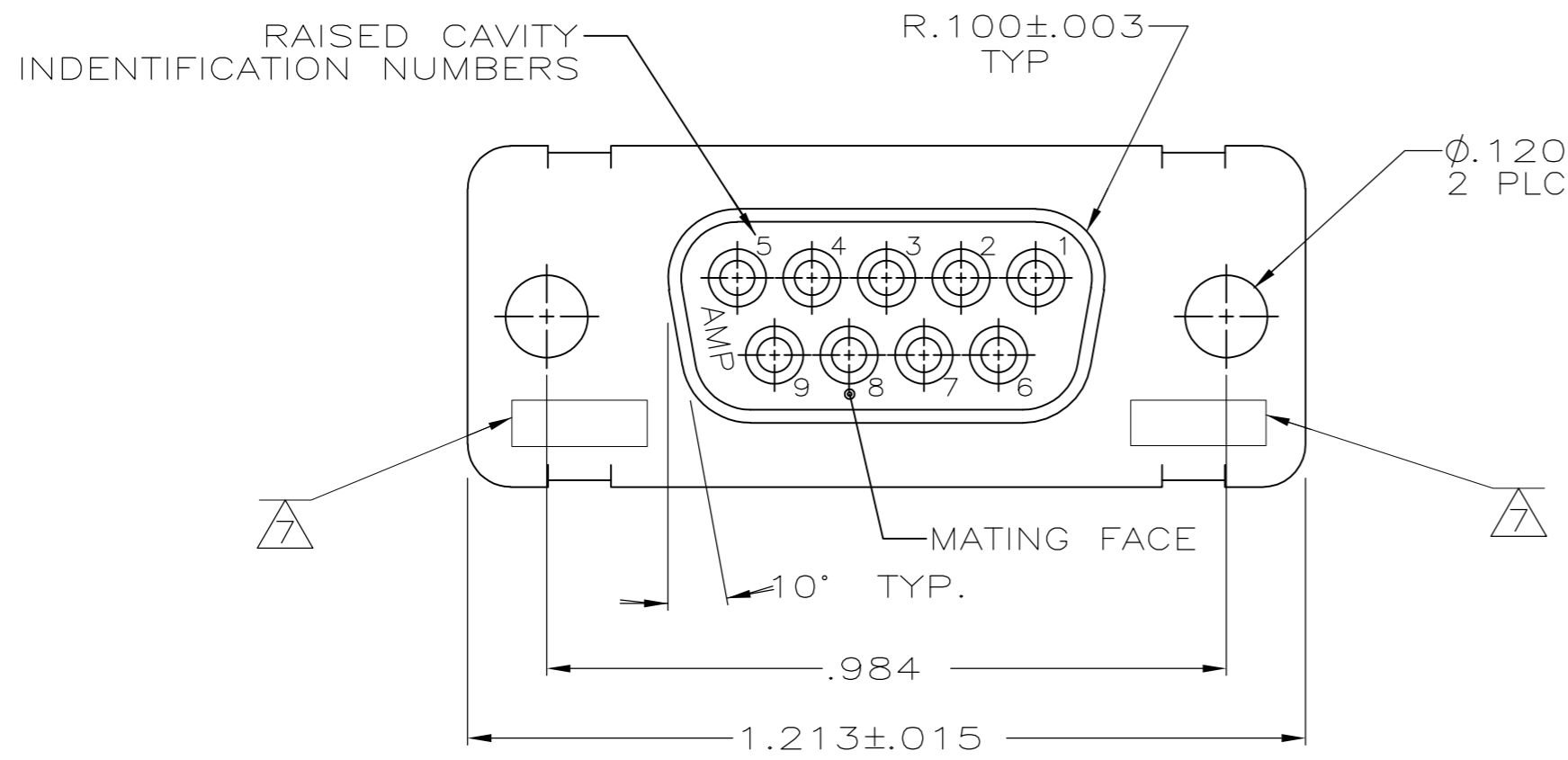
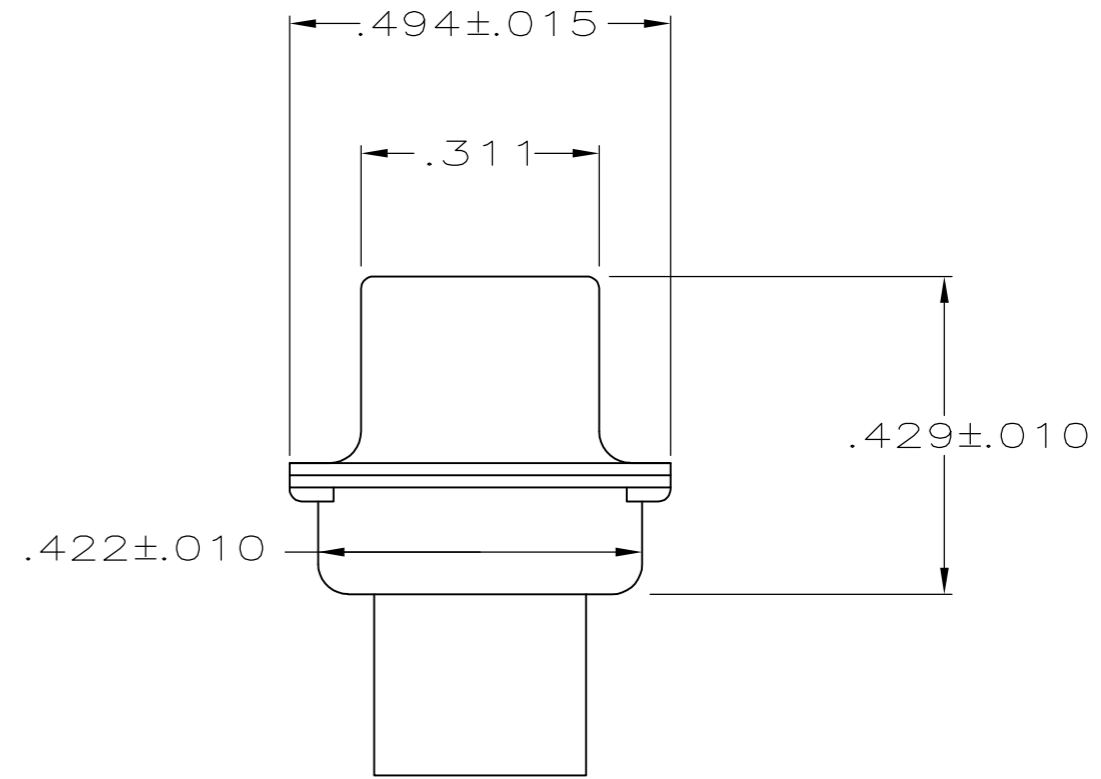
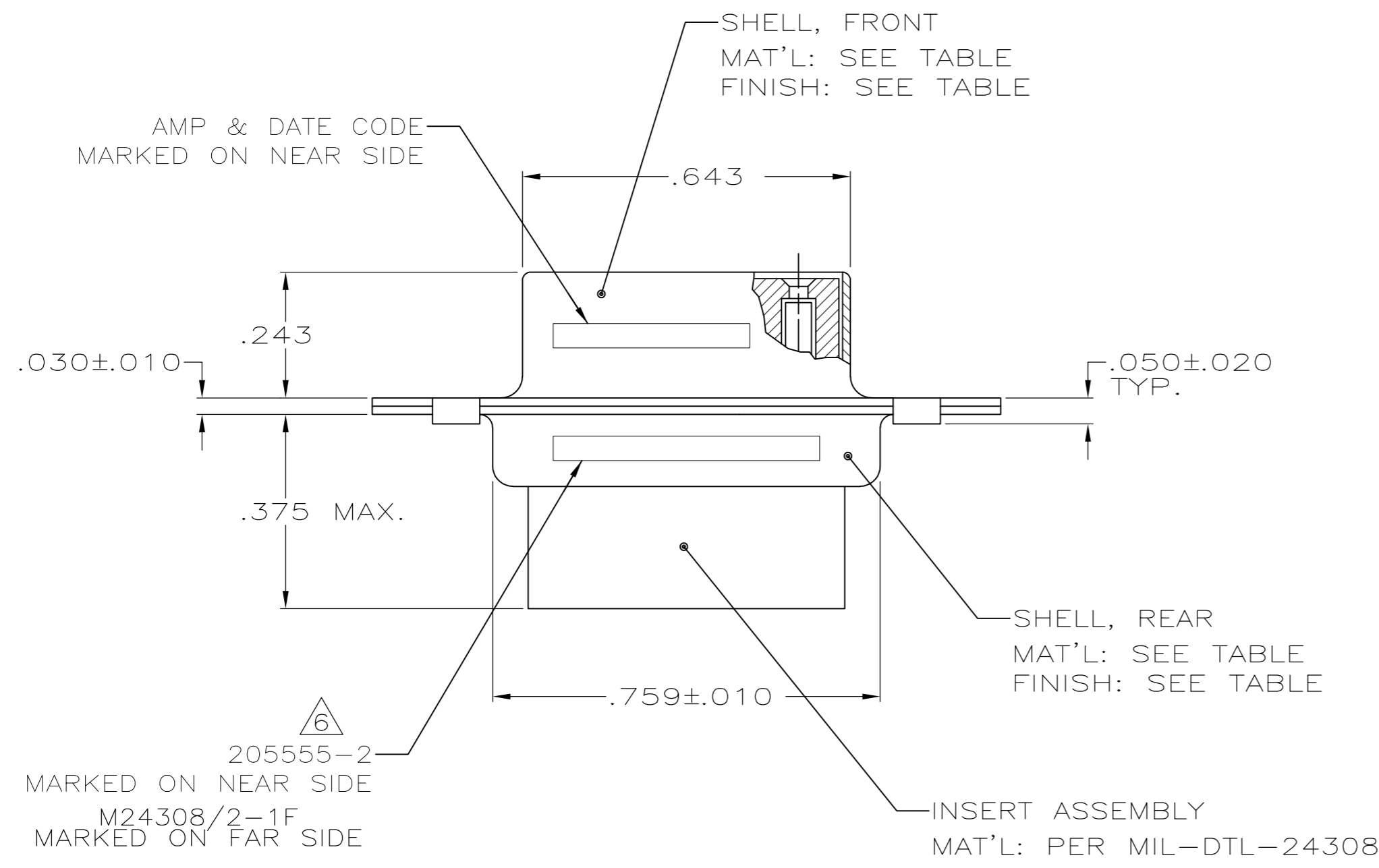


THIS DRAWING IS UNPUBLISHED. RELEASED FOR PUBLICATION  
 © COPYRIGHT - By - ALL RIGHTS RESERVED.

LOC		DIST		REVISIONS			
P	LTR	DESCRIPTION		DATE	DWN	APVD	
	P3	REVISED PER ECO-15-016062		10NOV15	KG	CD	



1. THIS RCPT. IS DESIGNED TO CONFORM TO THE LATEST ISSUE OF MIL-C-24308
  2. MAX WIRE INSUL TO BE USED WITH THIS RCPT IS .068 DIA
  3. STAINLESS STEEL RETENTION CLIPS ARE INCLUDED IN INSERTS
  4. PACKAGE STAMPED M24308/2-281F
  5. THIS RCPT. WILL ACCEPT SIZE 20 SOCKET CONTACT M39029/63-368 OR ANY AMP HD-20 SOCKET CONTACT
- △6 AMP PART NO. STAMPED ON CONNECTOR REPRESENTS KIT NUMBER WITH CONTACTS
  - △7 UL/CSA DESIGNATION STAMPED IN THIS AREA.
  - △8 RESTRICTED ITAR DRAWING.
  - △9 FINISH: PLATED BRIGHT TIN .000400 MIN THK PER ASTM-B-545 OVER COPPER PLATE .000050 MIN THK PER MIL-C-14550.



△9	STEEL, CLASS G	205161-5
△8	-	205161-4
SUPSC BY 205161-1	CADMIUM PER QQ-P-416	STEEL, CLASS G
SUPSD BY 207253-2	CADMIUM PER QQ-P-416	BRASS
	CADMIUM PER QQ-P-416	STEEL, CLASS G
	SHELL FINISH	SHELL MATERIAL
		PART NUMBER

THIS DRAWING IS A CONTROLLED DOCUMENT.		DWN	C.C.THOMAS	1-12-05		RCPT ASSY,AMPLITE, SIZE 1,9 POSN,SERIES 109	
DIMENSIONS: INCHES		CHK	D.MILLER	1-12-05		NAME	
TOLERANCES UNLESS OTHERWISE SPECIFIED:		APVD	D.MILLER	1-12-05		PRODUCT SPEC	
0 PLC ± - 1 PLC ± - 2 PLC ± - 3 PLC ± .005 4 PLC ± - ANGLES ± 0° 30'		APPLICATION SPEC		SIZE		CAGE CODE	
MATERIAL SEE CALLOUTS		FINISH SEE CALLOUTS		WEIGHT	-	SCALE	4:1
		CUSTOMER DRAWING		A2 00779 C=205161		SHEET	1 of 1
				REV		P3	

# Mouser Electronics

Authorized Distributor

Click to View Pricing, Inventory, Delivery & Lifecycle Information:

[TE Connectivity:](#)

[205161-5](#)