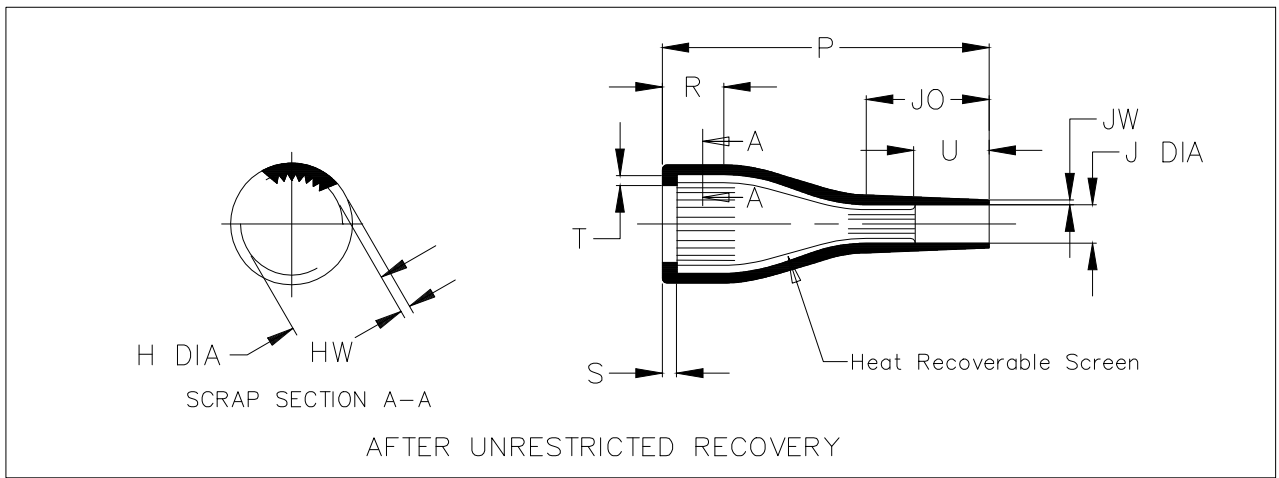
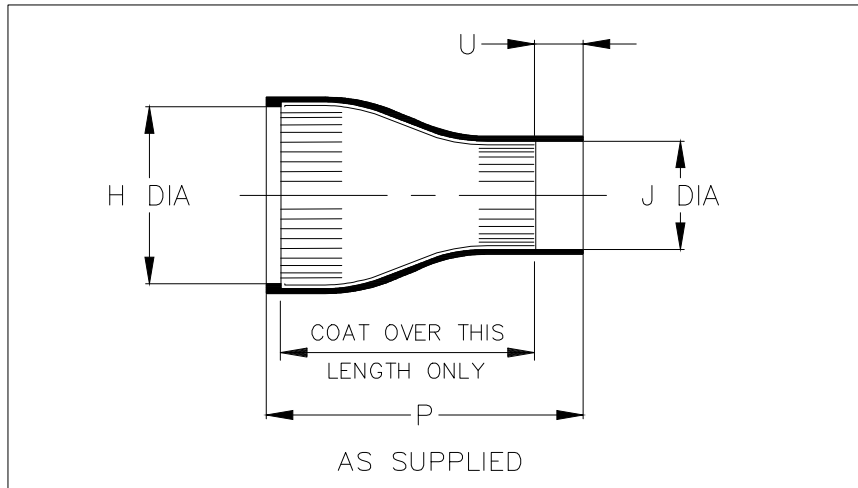


REVISIONS				
P	LTR	DESCRIPTION	DATE	APVD
A		ECO-18-002821	26FEB2018	NN



THIS IS A TRIMMED VARIANT
MODIFIED DIMENSIONS ARE SHOWN THUS: - #




Part No.	H		J		P		R	S	T	U		JO	HW	JW
	Min a	Max b	Min a	Max b	±5% a	±10% b	±10% b	Ref b	Ref b	Min a	±20% b	Ref b	±30% b	±30% b
202S132-XC-01-0	24 [0.94]	14.2 [.56]	15 [.59]	6.0 [.24]	47 [1.85]	47 [1.85]	15 [.59]	3.0 [.12]	1.0 [.04]	6.0 [.24]	10 [.39]	17 [.67]	2.0 [.08]	1.0 [.04]
202S142-XC-01-0	31 [1.22]	18.0 [.71]	18 [.71]	7.2 [.28]	55 [2.17]	55 [2.17]	15 [.59]	3.0 [.12]	1.0 [.04]	6.0 [.24]	10 [.39]	20 [.79]	2.0 [.08]	1.0 [.04]
202S152-XC-01-0	36 [1.42]	22.4 [.88]	22 [.87]	8.5 [.33]	69 [2.72]	69 [2.72]	15 [.59]	3.0 [.12]	1.0 [.04]	9.0 [.35]	15 [.59]	25 [.98]	2.0 [.08]	1.0 [.04]
202S174-XC-01-0	47 [1.85]	35.1 [1.38]	36 [1.42]	15.8 [.62]	108 [4.25]	110 [4.33]	45 [1.77]	3.0 [.12]	1.7 [.07]	12.0 [.47]	20 [.79]	30 [1.18]	3.0 [.12]	1.5 [.06]

RELEASED FOR PUBLICATION

ALL RIGHTS RESERVED.

THIS DRAWING IS UNPUBLISHED.

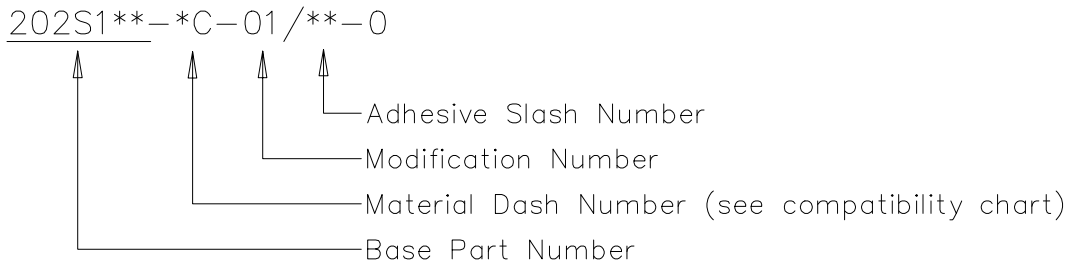
© COPYRIGHT 2017 By TE Connectivity

DIMENSIONS: mm [INCHES]	DWN K. HOLAL	04JUL2017	MATERIAL	-	FINISH	-
	CHK N. NAGAR	04JUL2017	 TE Connectivity			
TOLERANCES UNLESS OTHERWISE SPECIFIED:	APVD A. POOLE	04JUL2017				
0 PLC ± -	PRODUCT SPEC	-	NAME STRAIGHT BOOT, COATED			
1 PLC ± -	APPLICATION SPEC	-	202S1XX-XXC-01-0			
2 PLC ± -	WEIGHT	-	SIZE	A4	CAGE CODE	00779
3 PLC ± -			DRAWING NO	C-202S1XX-XXC-01-0		RESTRICTED TO
4 PLC ± -			SCALE	DNS	SHEET	1 OF 2
ANGLES ± -	CUSTOMER DRAWING					

REVISIONS				
P	LTR	DESCRIPTION	DATE	APVD
	-	SEE SHEET 1	-	-

COMPATIBILITY CHART			
Material Dash No.	Material Description	SPEC No.	Coating Slash No.
-25C	ELASTOMER/SILVER COMPOSITE	RW-3047	/86, /200

ORDERING INFORMATION



NOTES

- As supplied dimensions are for parts without adhesive, when an adhesive layer is added entry diameters will reduce by 1.5mm Max.
- For method of measuring recovered diameter, see appropriate RW specification (SPEC No.) section 2.2.

RELEASED FOR PUBLICATION

ALL RIGHTS RESERVED.

THIS DRAWING IS UNPUBLISHED.

© COPYRIGHT 2017 By TE Connectivity

DIMENSIONS: mm [INCHES]	DWN K. HOTAL	04JUL2017	MATERIAL	-	FINISH	-
	CHK N. NAGAR	04JUL2017				
TOLERANCES UNLESS OTHERWISE SPECIFIED:	APVD A. POOLE	04JUL2017				
0 PLC ± -	PRODUCT SPEC		NAME			
1 PLC ± -	-		STRAIGHT BOOT, COATED			
2 PLC ± -	-		202S1XX-XXC-01-0			
3 PLC ± -	APPLICATION SPEC		SIZE	CAGE CODE	DRAWING NO	RESTRICTED TO
4 PLC ± -	-		A4	00779	202S1XX-XXC-01-0	-
ANGLES ± -	WEIGHT		SCALE			
	0		DNS			
CUSTOMER DRAWING			SHEET		2 OF 2	
			REV		A	

Mouser Electronics

Authorized Distributor

Click to View Pricing, Inventory, Delivery & Lifecycle Information:

[TE Connectivity:](#)

[EK7283-000](#)