

REVISIONS

P	LTR	DESCRIPTION	DATE	DWN	APVD
	P	PRODUCTION ISSUE	18JAN2019	PNT	MT

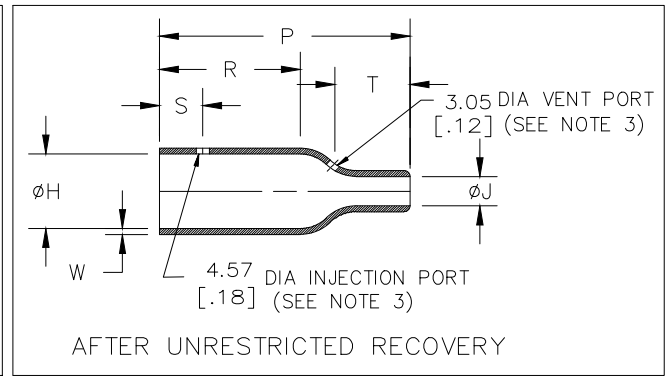
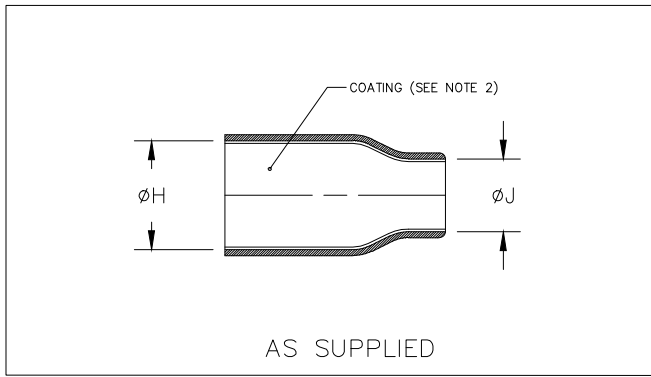


TABLE OF DIMENSIONS

PART NUMBER	H		J		P	R	S	T	W	Weight
	Min a	Max b	Min a	Max b	$\pm 10\%$ b	$\pm 10\%$ b	$\pm 10\%$ b	$\pm 10\%$ b	$\pm 20\%$ b	Nom b
202A011	10.7 [.42]	7.9 [.31]	8.4 [.33]	3.8 [.15]	25.4 [1.00]	14.2 [.56]	12.7 [.50]	N/A	1.27 [.05]	0.9 [.002]
202A021	13.7 [.54]	9.9 [.39]	11.7 [.46]	5.3 [.21]	38.1 [1.50]	21.8 [.86]	15.2 [.60]	N/A	1.52 [.06]	1.8 [.004]
202A032	19.3 [.76]	14.2 [.56]	14.2 [.56]	6.6 [.26]	51.3 [2.02]	27.9 [1.10]	19.1 [.75]	16.0 [.63]	1.78 [.07]	3.6 [.008]
202A042	23.9 [.94]	17.8 [.70]	15.5 [.61]	7.4 [.29]	66.8 [2.63]	35.6 [1.40]	19.1 [.75]	22.1 [.87]	1.78 [.07]	6.4 [.014]
202A053	30.0 [1.18]	21.9 [.86]	18.0 [.71]	8.6 [.34]	73.7 [2.90]	41.4 [1.63]	19.1 [.75]	22.1 [.87]	1.78 [.07]	11.3 [.025]
202A063	37.8 [1.49]	27.4 [1.08]	21.3 [.84]	9.4 [.37]	99.1 [3.90]	62.7 [2.47]	19.1 [.75]	25.1 [.99]	2.03 [.08]	18.1 [.040]
202A074	47.0 [1.8]	35.3 [1.39]	35.6 [1.40]	16.0 [.63]	130.3 [5.13]	64.8 [2.55]	25.4 [1.00]	50.8 [2.00]	3.30 [.13]	45.4 [.100]
202A085	59.4 [2.34]	43.7 [1.72]	43.7 [1.72]	19.6 [.77]	161.3 [6.35]	90.2 [3.55]	25.4 [1.00]	54.6 [2.15]	3.81 [.15]	87.5 [.193]
202A096	81.3 [3.20]	57.2 [2.25]	55.6 [2.19]	26.9 [1.06]	212.6 [8.37]	113.0 [4.45]	25.4 [1.00]	80.0 [3.15]	4.06 [.16]	166.5 [.367]

RELEASED FOR PUBLICATION

ALL RIGHTS RESERVED.

COPYRIGHT - TE Connectivity Ltd.

THIS DRAWING IS UNPUBLISHED.

DIMENSIONS:
mm [INCHES]

DWN PRAVEEN N T 18JAN2019

MATERIAL SEE SHEET 2

FINISH -

TOLERANCES UNLESS OTHERWISE SPECIFIED:

CHK N NAGAR 18JAN2019

APVD M TAYLOR 18JAN2019



TE Connectivity Ltd.

PRODUCT SPEC

NAME BOOT, STRAIGHT, THIN WALL

APPLICATION SPEC

SIZE CAGE CODE DRAWING NO

RESTRICTED TO

WEIGHT

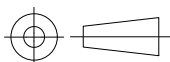
A4 00779 C 202A011-XX-0THRU096-XX-0

CUSTOMER DRAWING

SCALE DNS

SHEET 1 OF 2

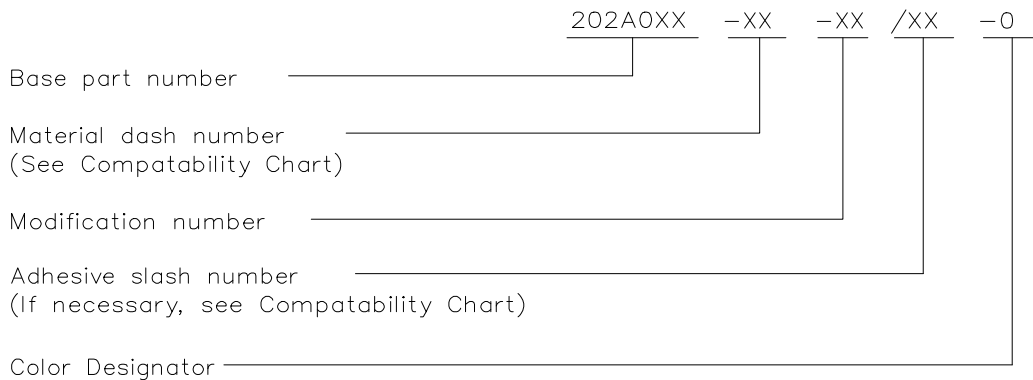
REV P



REVISIONS					
P	LTR	DESCRIPTION	DATE	DWN	APVD
	-	SEE SHEET 1	-	-	-

COMPATABILITY CHART				
MATERIAL DASH NO.	MATERIAL DESCRIPTION	RT SPEC	COATING SLASH NO.	COATING S NO.
-3	Polyolefin, Semi-rigid	RT-301	/42;/86;/180	S1017;S1048;S1030
-4	Polyolefin, Flexible	RT-1304	/42;/86;/180	S1017;S1048;S1030
-12	Fluoroelastomer, Flexible	RT-1312	N/A	N/A
-25	Elastomer, Fluid Resistant	RW-2070	/42;/86;/225	S1017;S1048;S1206

ORDERING INFORMATION



NOTES:


- Dimensions appearing in table are as follows:
 - a - As Supplied
 - b - After Unrestricted Recovery
- Coating is optional. As supplied dimensions appearing in table are for uncoated parts. When coating is added, entry diameters will be reduced by 1.5mm[.06] max.
- Molding ports are optional. When -00 modification number is specified molding ports will be located as shown. On sizes 202A011 and 202A021 3.05mm[.12]dia. vent port will be eliminated.
- Weight shown in table of dimensions is based on polyolefin part.
- 202A0XX parts are made from 202A1XX family parts and will have a white label for identification.

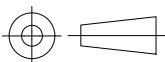
RELEASED FOR PUBLICATION

ALL RIGHTS RESERVED.

© COPYRIGHT - TE Connectivity Ltd.

THIS DRAWING IS UNPUBLISHED.

DIMENSIONS: mm [INCHES]	DWN PRAVEEN N T 18JAN2019	MATERIAL -	FINISH -		
	CHK N NAGAR 18JAN2019	 TE Connectivity Ltd.			
TOLERANCES UNLESS OTHERWISE SPECIFIED:	APVD M TAYLOR 18JAN2019			NAME BOOT. STRAIGHT. THIN WALL	
0 PLC ± -	PRODUCT SPEC	SIZE	CAGE CODE	DRAWING NO	RESTRICTED TO
1 PLC ± -	-	A4	00779	C- 202A011-XX-0THRU096-XX-0	-
2 PLC ± -	APPLICATION SPEC	CUSTOMER DRAWING			
3 PLC ± -	-	SCALE	DNS	SHEET	2 OF 2
4 PLC ± -	WEIGHT	REV		P	
ANGLES ± -					



Mouser Electronics

Authorized Distributor

Click to View Pricing, Inventory, Delivery & Lifecycle Information:

[TE Connectivity:](#)

[808511-000](#)