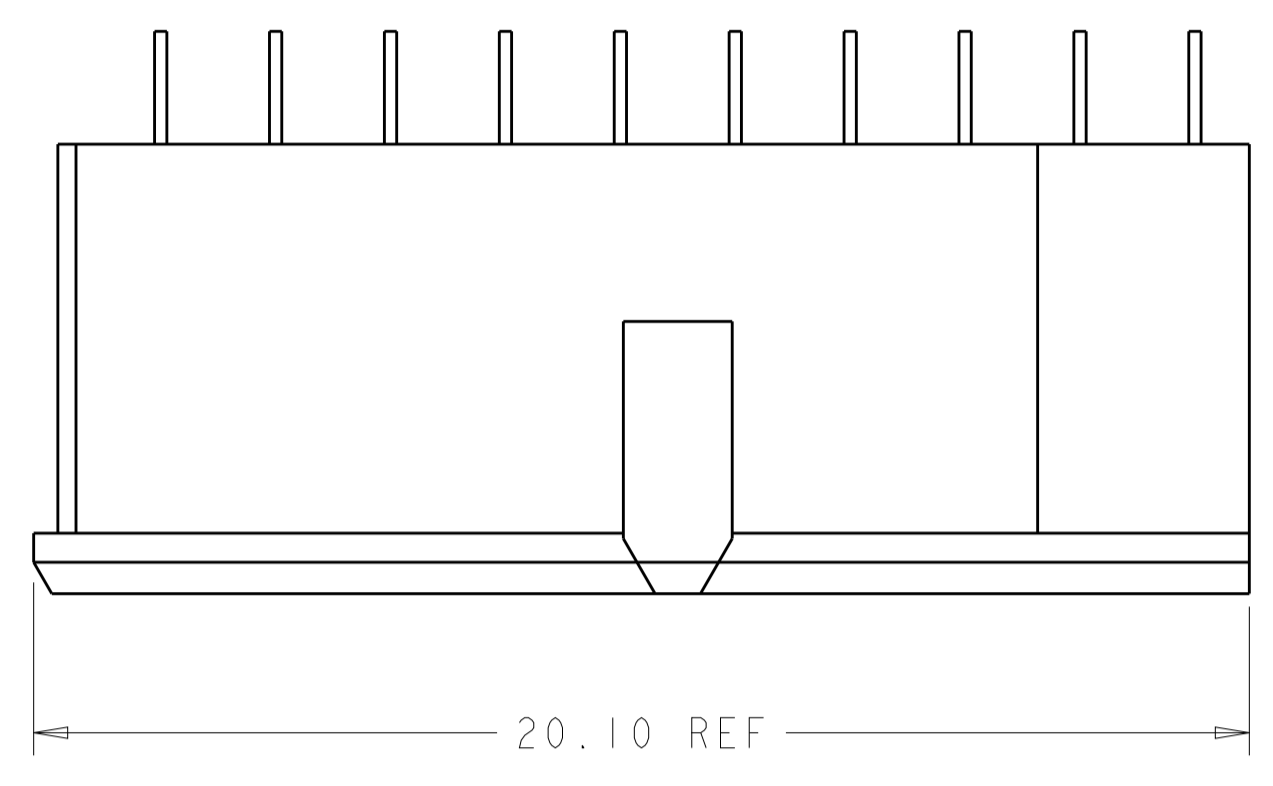
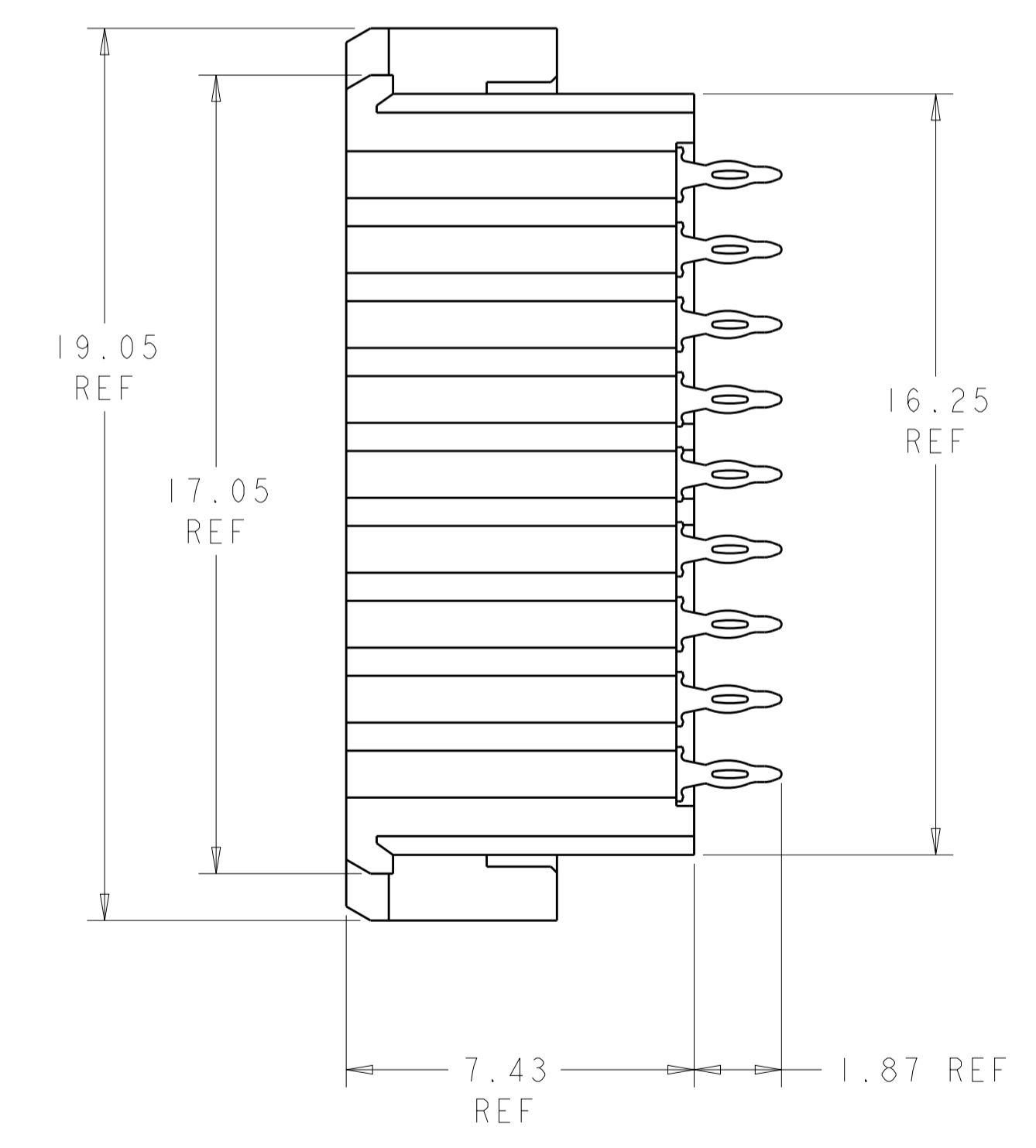
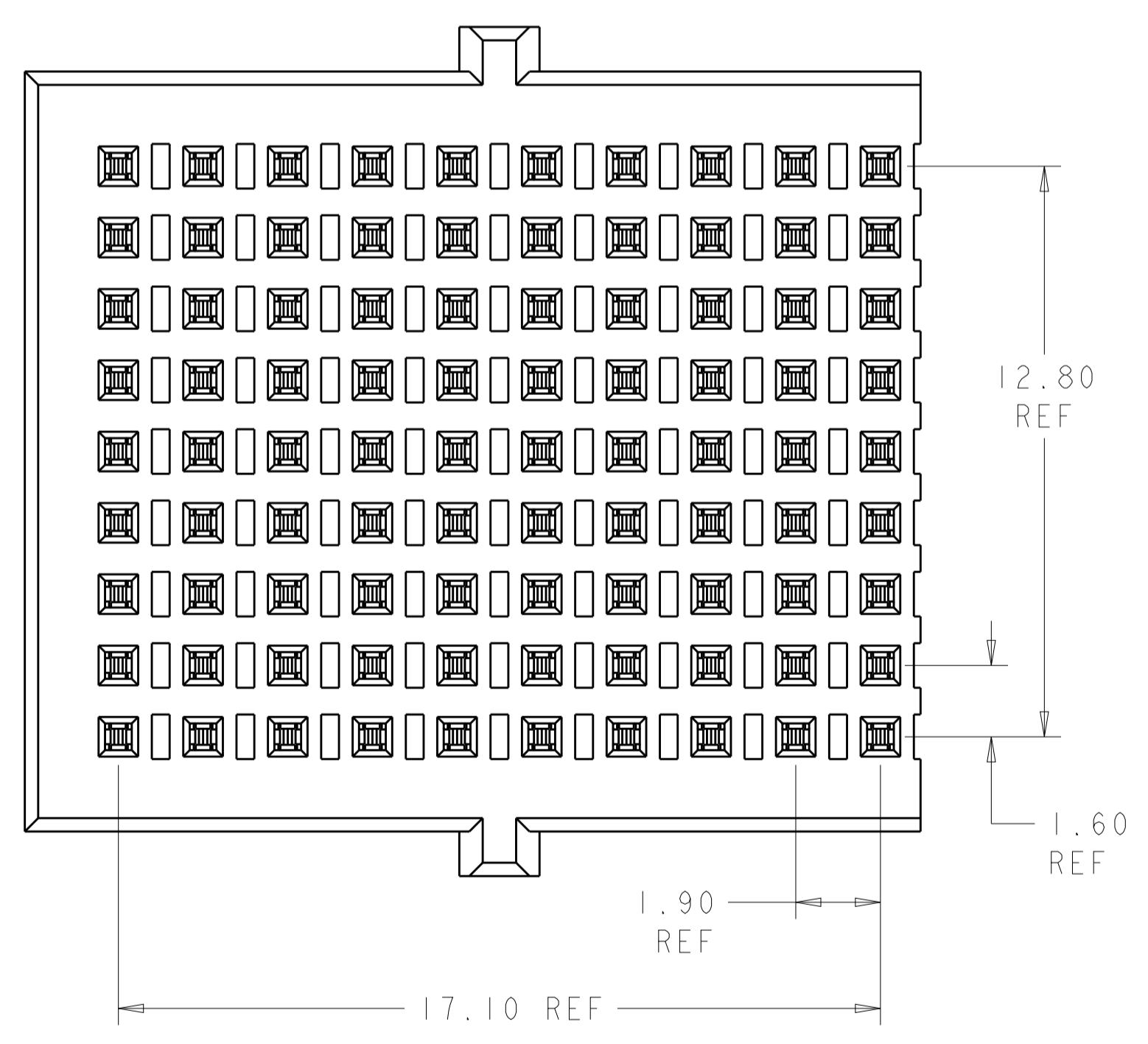


LOC		DIST		REVISIONS			
P	LTN	DESCRIPTION	DATE	DWN	APVD		
B		REV PER ECO 12-010940	7-31-12	CT	DH		
C		ECO-13-004755	26MAR2013	KG	DH		
D		ECO-14-017030	25NOV2014	MGM	CT		



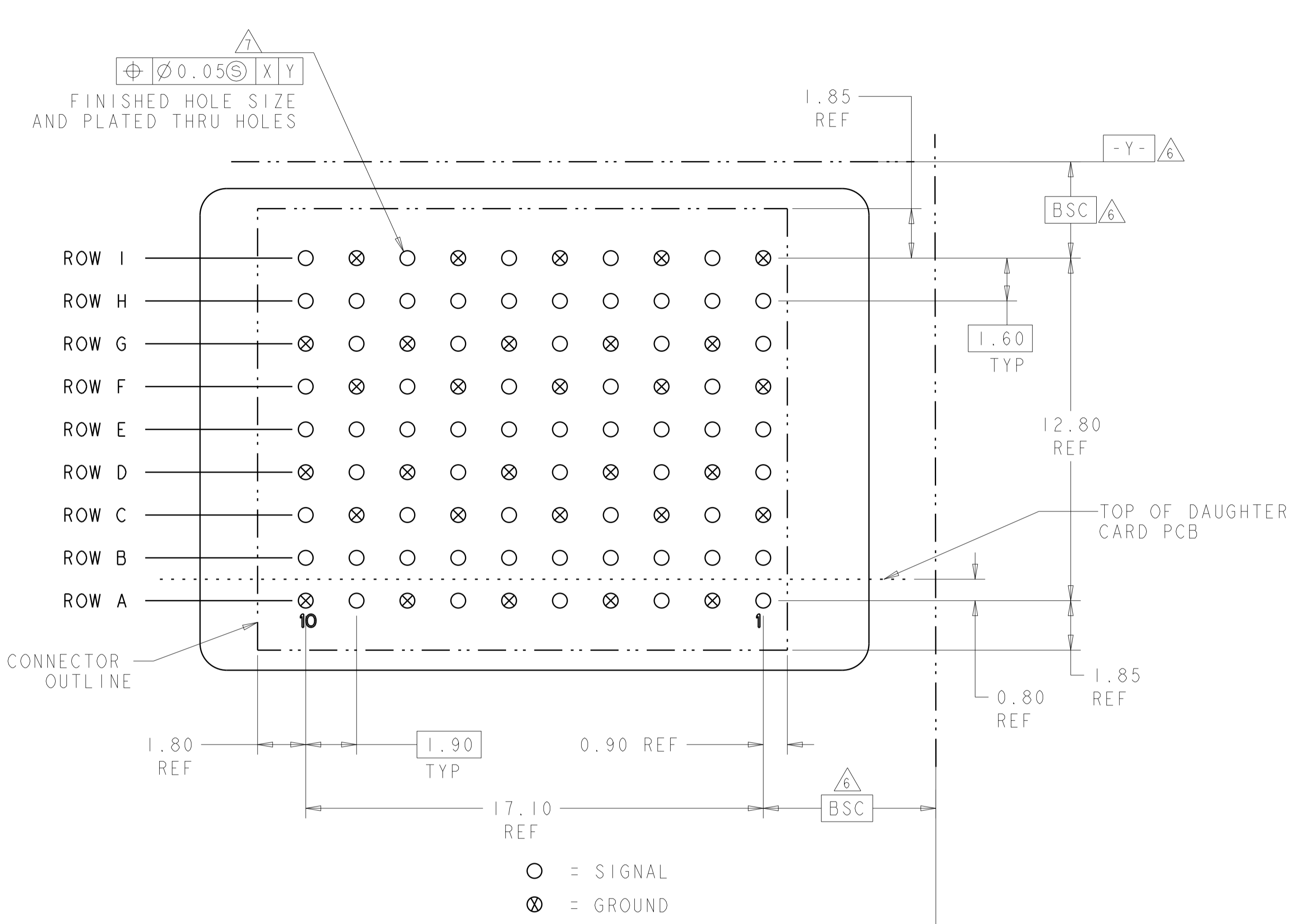
- 1 MATERIAL:
CONTACT - COPPER ALLOY
HOUSING - LCP, COLOR - BLACK
- 2 FINISH:
MATING AREA: 1.27µm MIN GOLD OVER
1.27µm MIN NICKEL
- 3 FINISH:
COMPLIANT PIN AREA: 0.38µm MIN BRIGHT TIN LEAD
OVER 1.27µm MIN NICKEL
- 4 FINISH:
COMPLIANT PIN AREA: 0.38µm MIN MATTE TIN
OVER 1.27µm MIN NICKEL
- 5 ---
- 6 DATUMS AND BASIC DIMENSIONS ESTABLISHED BY CUSTOMER.
- 7 REFERENCE APPLICATION SPEC 114-13267 FOR RECOMMENDED
PLATING THRU HOLE DIAMETER AND PLATING THICKNESS.



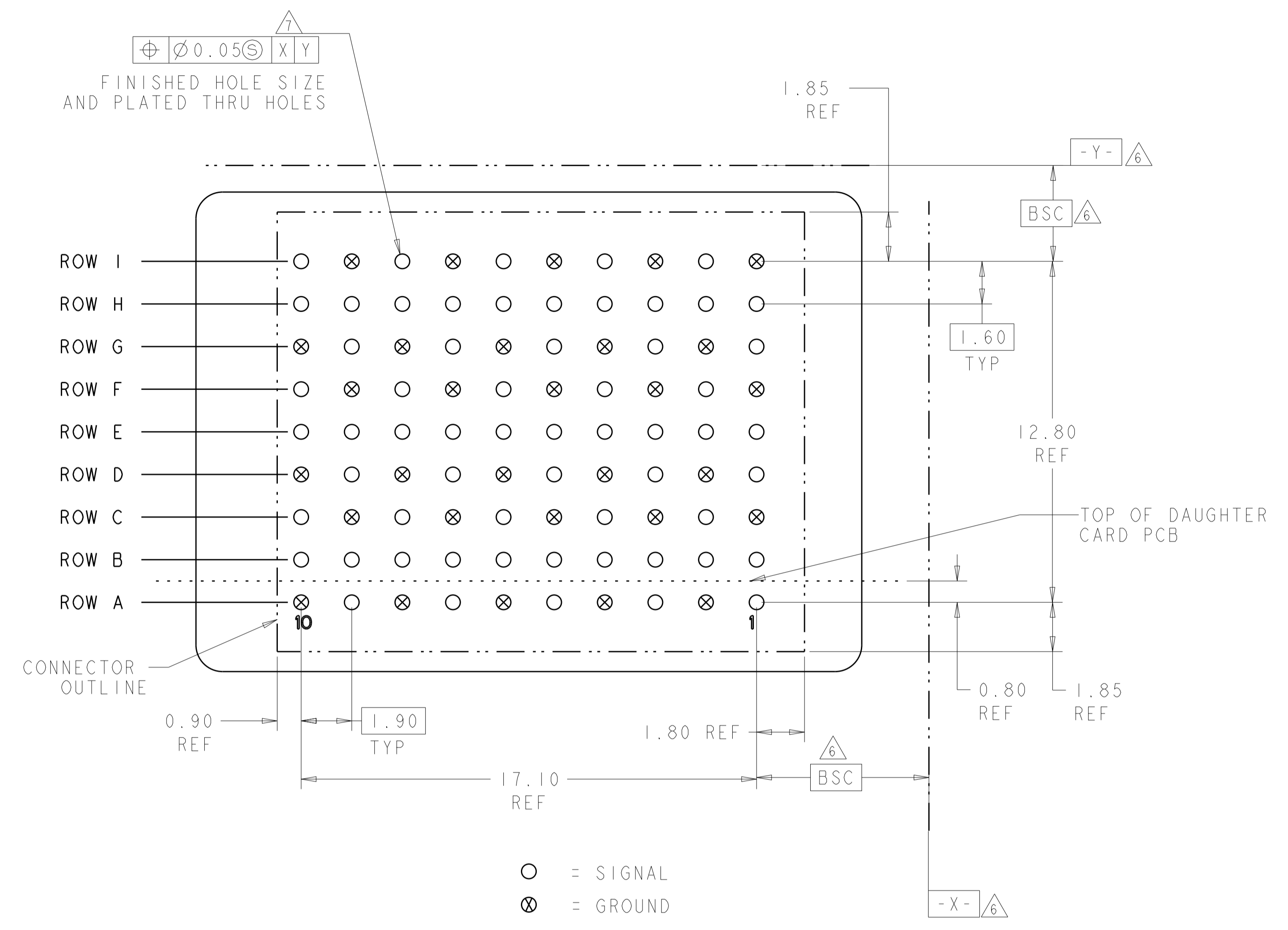
2 4	2000895-2
2 3	2000895-1
FINISH	PART NUMBER

THIS DRAWING IS A CONTROLLED DOCUMENT. DIMENSIONING AND TOLERANCING PER GPS (ISO STANDARDS).		DWN: D. BELACK 24JUN2009	TE Connectivity	
DIMENSIONS: mm		CHK: A. TSANG 6-24-2009	Fortis Zd. 10-COLUMN, 3-PAIR, VERTICAL END MODULE ASSEMBLY	
TOLERANCES UNLESS OTHERWISE SPECIFIED:		APVD: M. McALONIS 6-24-2009	NAME	
0 PLC	±	PRODUCT SPEC	SIZE CAGE CODE DRAWING NO RESTRICTED TO	
2 PLC	±0.13	108-2409	A100779C=2000895	
3 PLC	±0.05	APPLICATION SPEC	SCALE 8:1 SHEET 1 OF 2 REV D	
4 PLC	±	114-13267		
ANGLES	±	WEIGHT ~ 8weight1.2		
FINISH	±	Customer Drawing		

LOC	DIST	REV	DESCRIPTION	DATE	DWN	APVD
-	-	-	SEE SHEET 1	-	-	-



RECOMMENDED DIFFERENTIAL PAIR PC BOARD LAYOUT 1
COMPONENT SIDE SHOWN
SCALE 8:1



RECOMMENDED DIFFERENTIAL PAIR PC BOARD LAYOUT 2
COMPONENT SIDE SHOWN
SCALE 8:1

THIS DRAWING IS A CONTROLLED DOCUMENT. DIMENSIONING AND TOLERANCING PER QPS (ISO STANDARDS).		DWN: D. BELACK 24JUN2009	TE Connectivity
DIMENSIONS: mm		CHK: A. TSANG 6-24-2009	
TOLERANCES UNLESS OTHERWISE SPECIFIED:		APVD: M. McALONIS 6-24-2009	NAME: Fortis Zd. 10-COLUMN, 3-PAIR, VERTICAL END MODULE ASSEMBLY
0 PLC	±0.13	PRODUCT SPEC	SIZE: CAGE CODE DRAWING NO
2 PLC	±0.05	APPLICATION SPEC	RESTRICTED TO
3 PLC	±0.05	114-13267	
4 PLC	±0.05	WEIGHT: 8weight1.2	
ANGLES	±2°	Customer Drawing	
MATERIAL		SCALE: 8:1	
FINISH		SHEET: 2 OF 2	

Mouser Electronics

Authorized Distributor

Click to View Pricing, Inventory, Delivery & Lifecycle Information:

[TE Connectivity:](#)

[2000895-1](#)