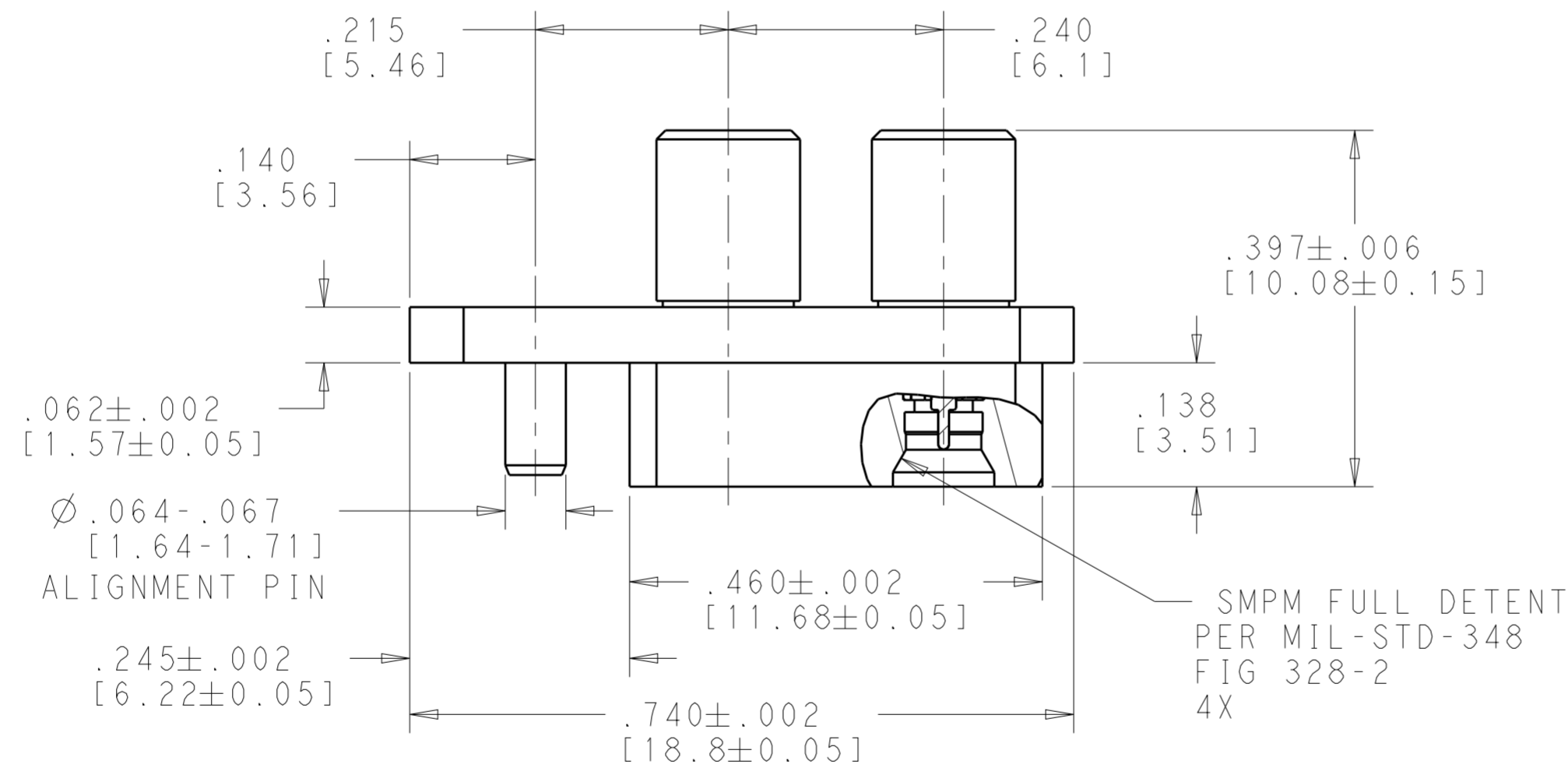
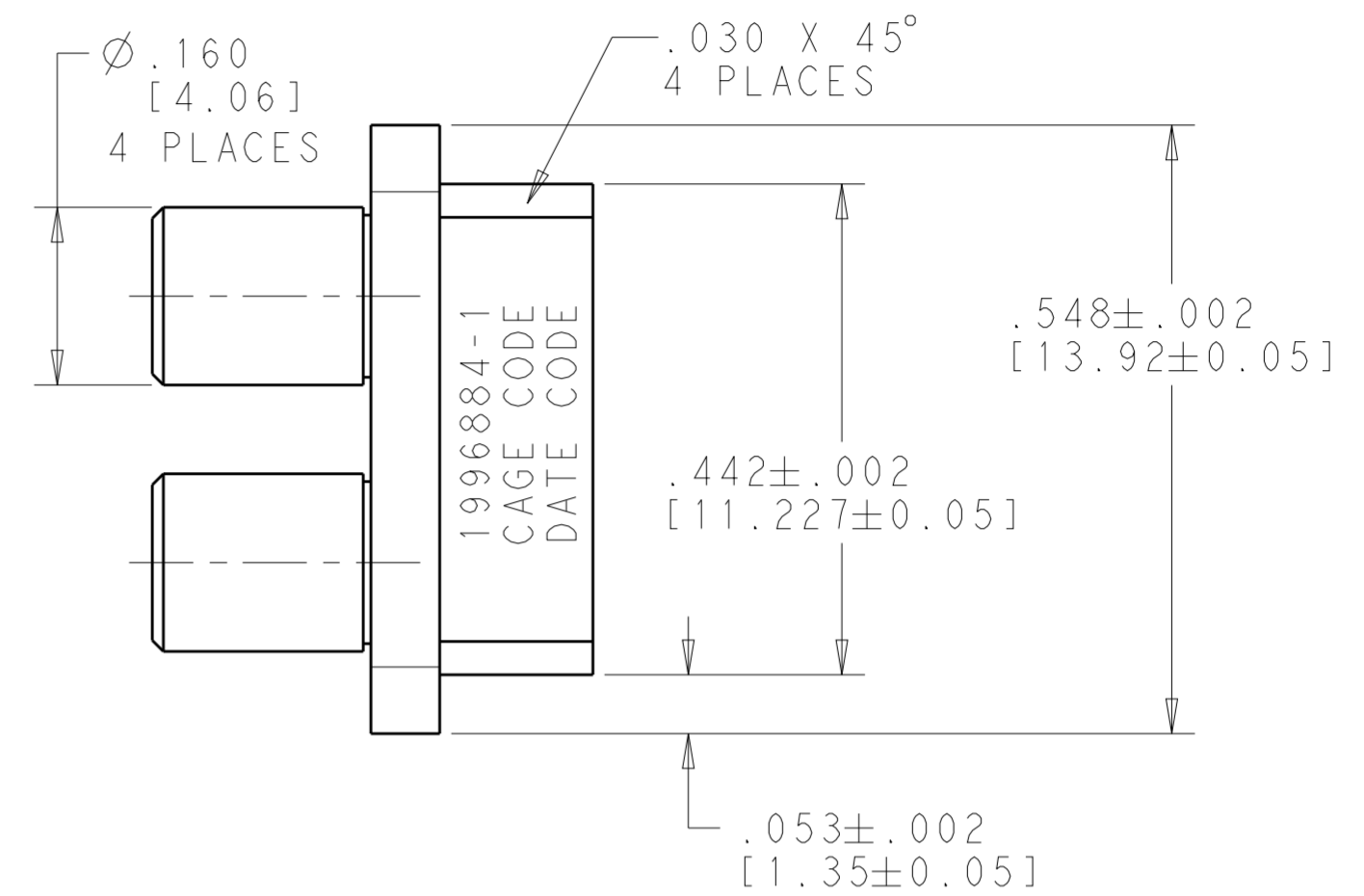
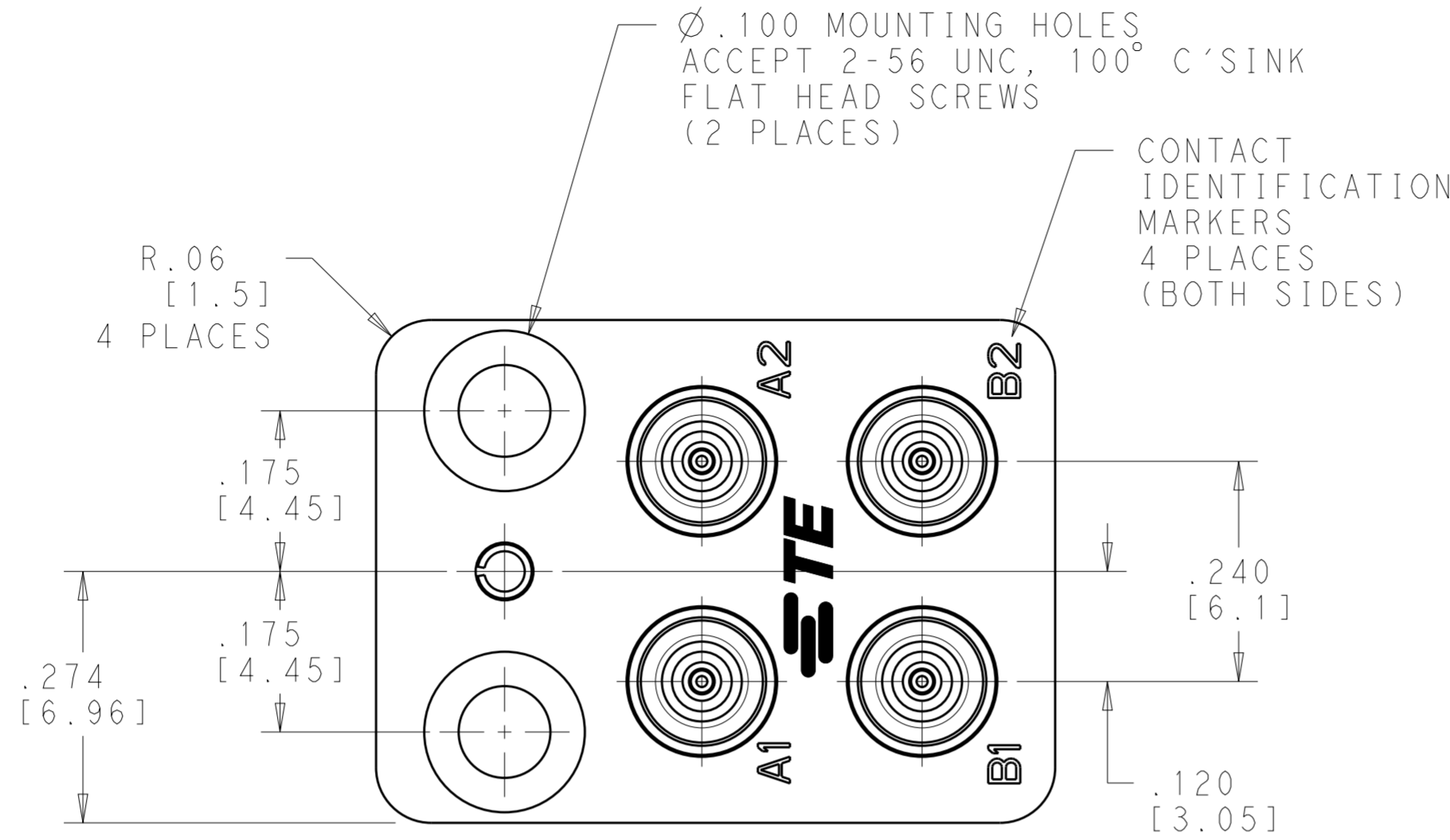
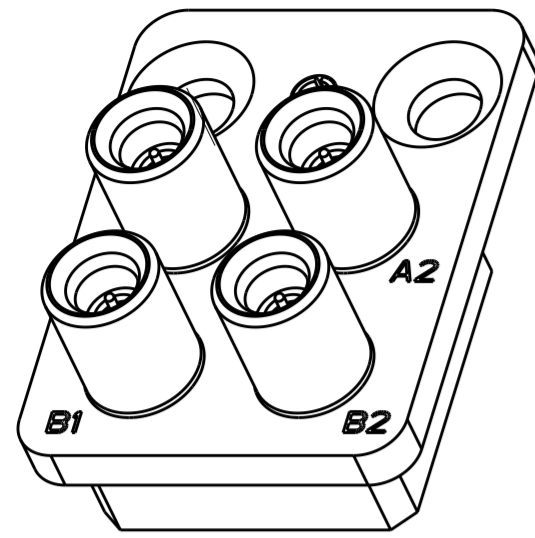


REVISIONS					
P	LTR	DESCRIPTION	DATE	DWN	APVD
	K	REV PER ECO 20-006705	5-14-20	CT	FB



- MATERIAL:
SMOOTHBORE SMPM CONNECTOR BODY & CENTER CONTACT - BERYLLIUM COPPER,
ALLOY UNS C17300 CONDITION TDO4, PER ASTM B196.
INSULATORS - TEFLON (PTFE) ROD, PER ASTM D 1710.
MODULE BODY - STAINLESS STEEL, PER UNS S30300.
SLOTTED SPRING PIN - NICKEL STAINLESS STEEL

- FINISH:
SMOOTHBORE SMPM CONNECTOR BODY & CENTER CONTACT - GOLD PLATE OVER NICKEL
MODULE BODY & SLOTTED PIN - PASSIVATED

1996884-1

PART
NUMBER

THIS DRAWING IS A CONTROLLED DOCUMENT.		DWN S.T. Morley 24JUL2009	TE Connectivity	
DIMENSIONS: INCHES [mm]		CHK S.T. Morley 24JUL2009		
TOLERANCES UNLESS OTHERWISE SPECIFIED:		APVD S.T. Morley 24JUL2009		
		PRODUCT SPEC		
MATERIAL		APPLIC. SPEC	NAME 4 POSITION R.F. MODULE P.C.B. MOUNT - BACKPLANE VITA 67 3U	
material_2		FINISH	SIZE	RESTRICTED TO
finish_spec_2		CUSTOMER DRAWING	A200779	CAGE CODE
		SCALE 6:1	SHEET 1 OF 1	REV K

Mouser Electronics

Authorized Distributor

Click to View Pricing, Inventory, Delivery & Lifecycle Information:

[TE Connectivity:](#)

[1996884-1](#)