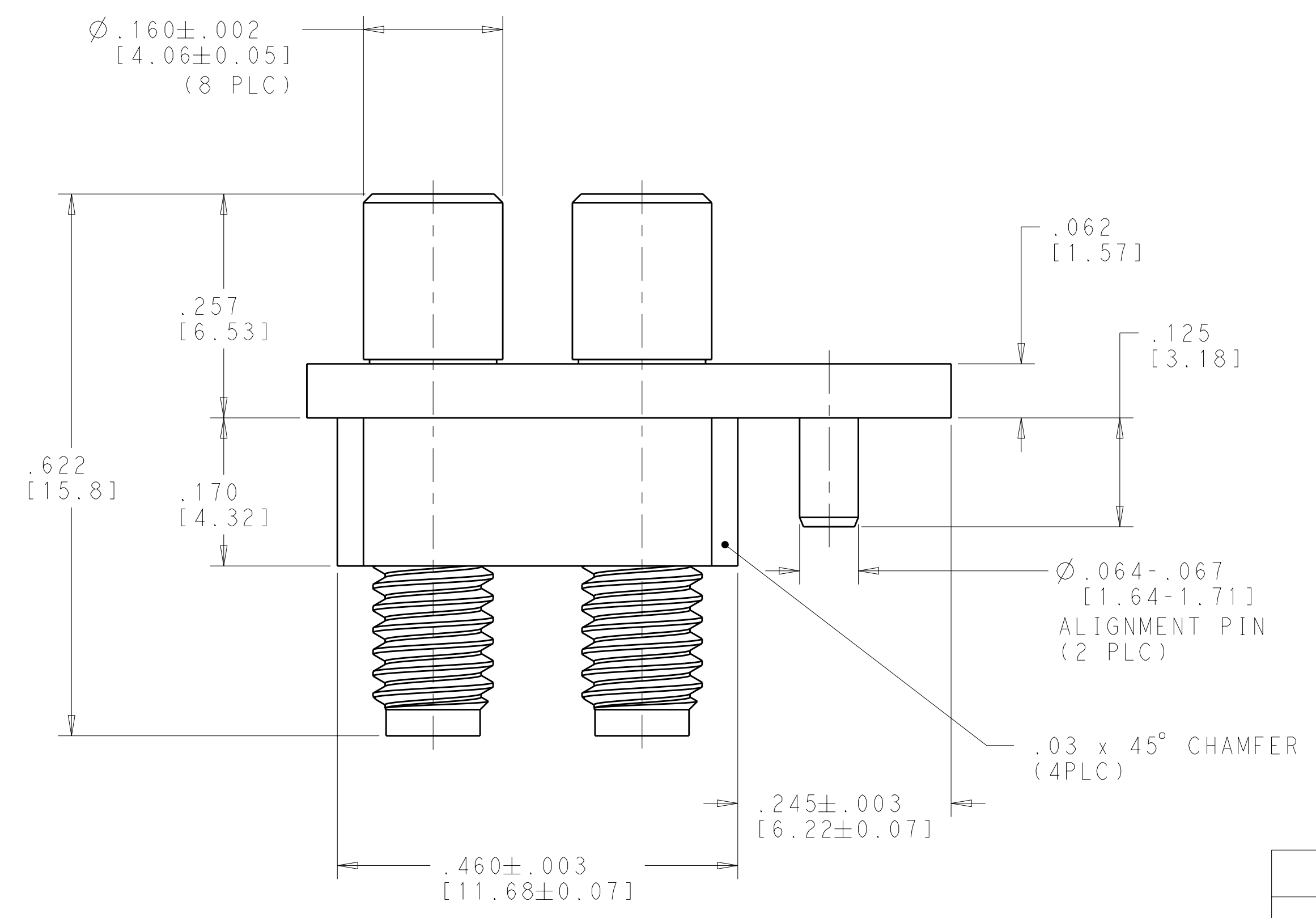
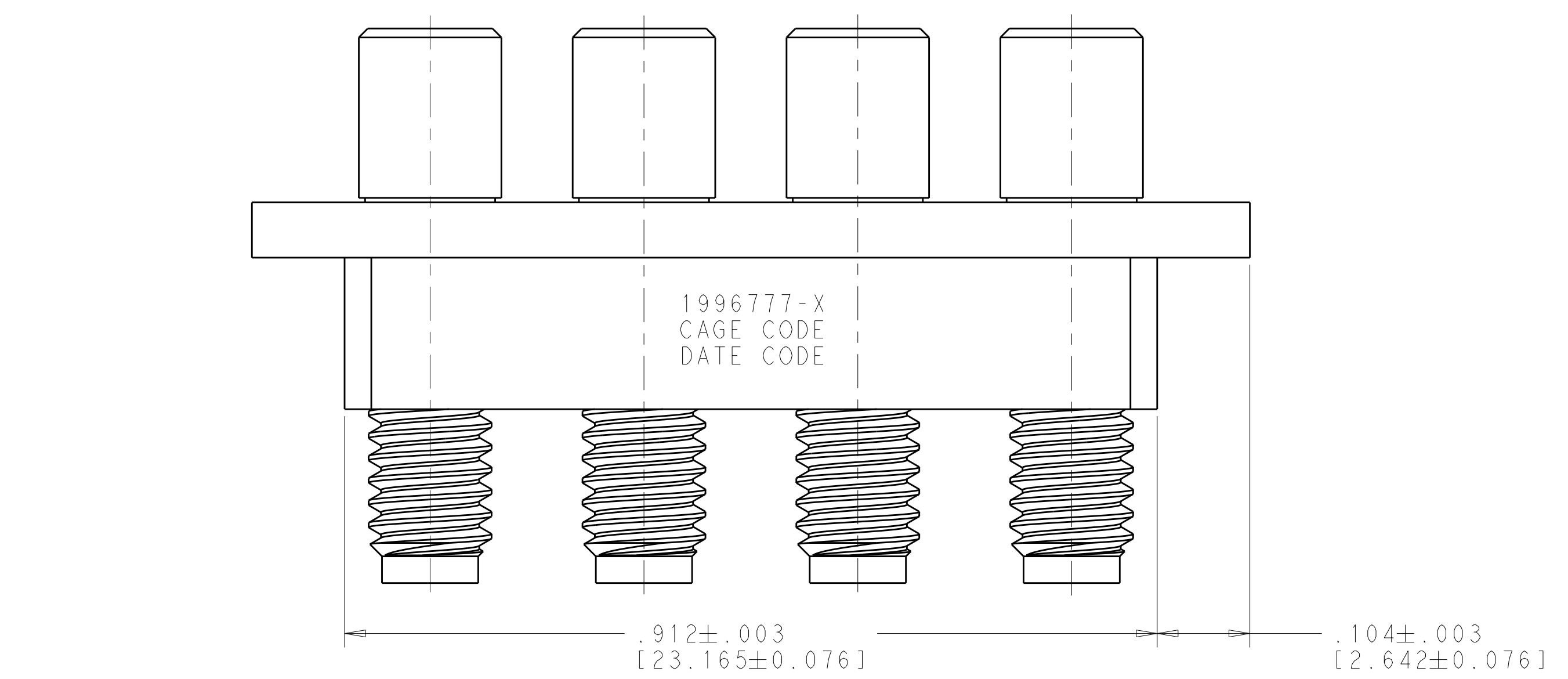
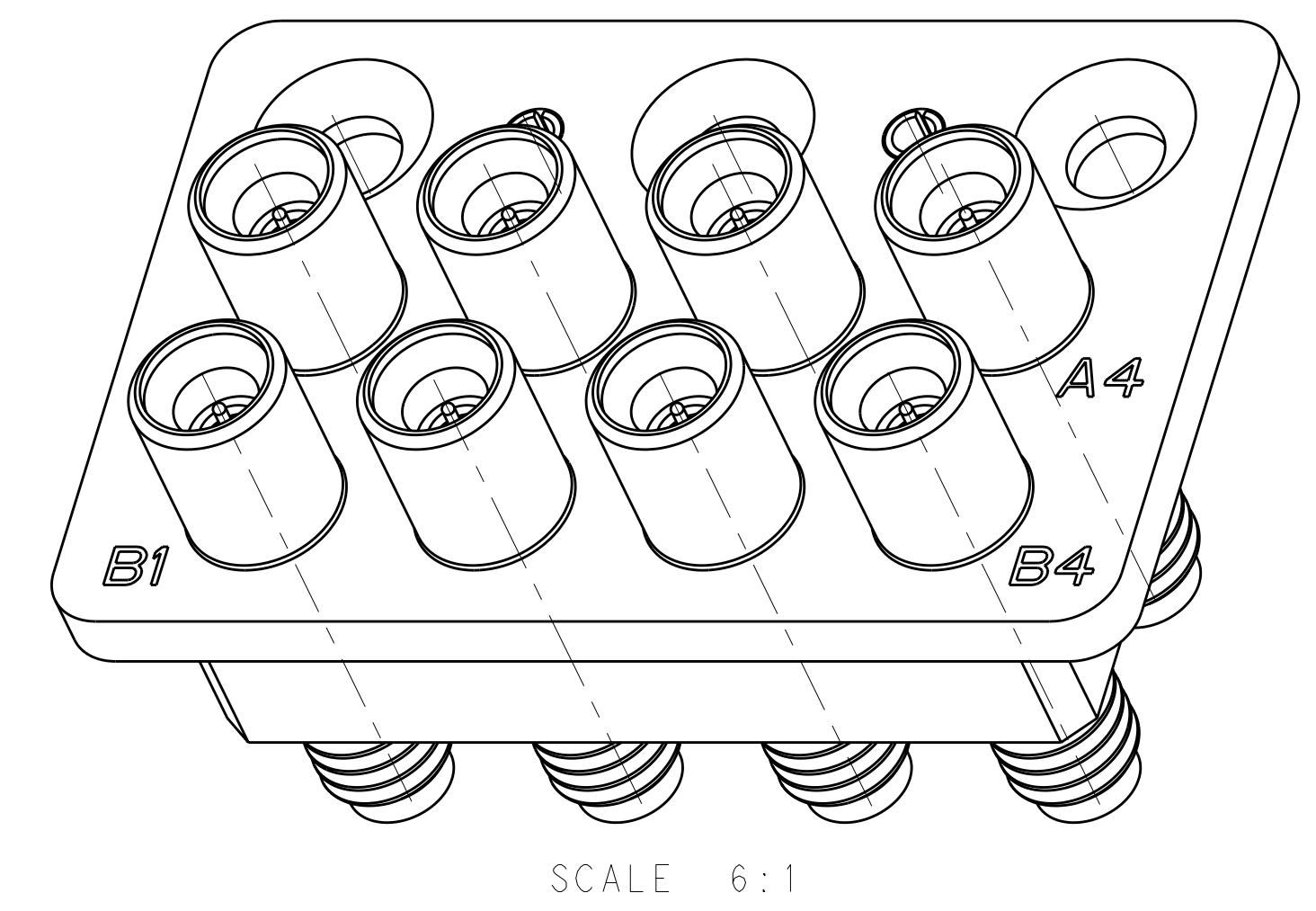
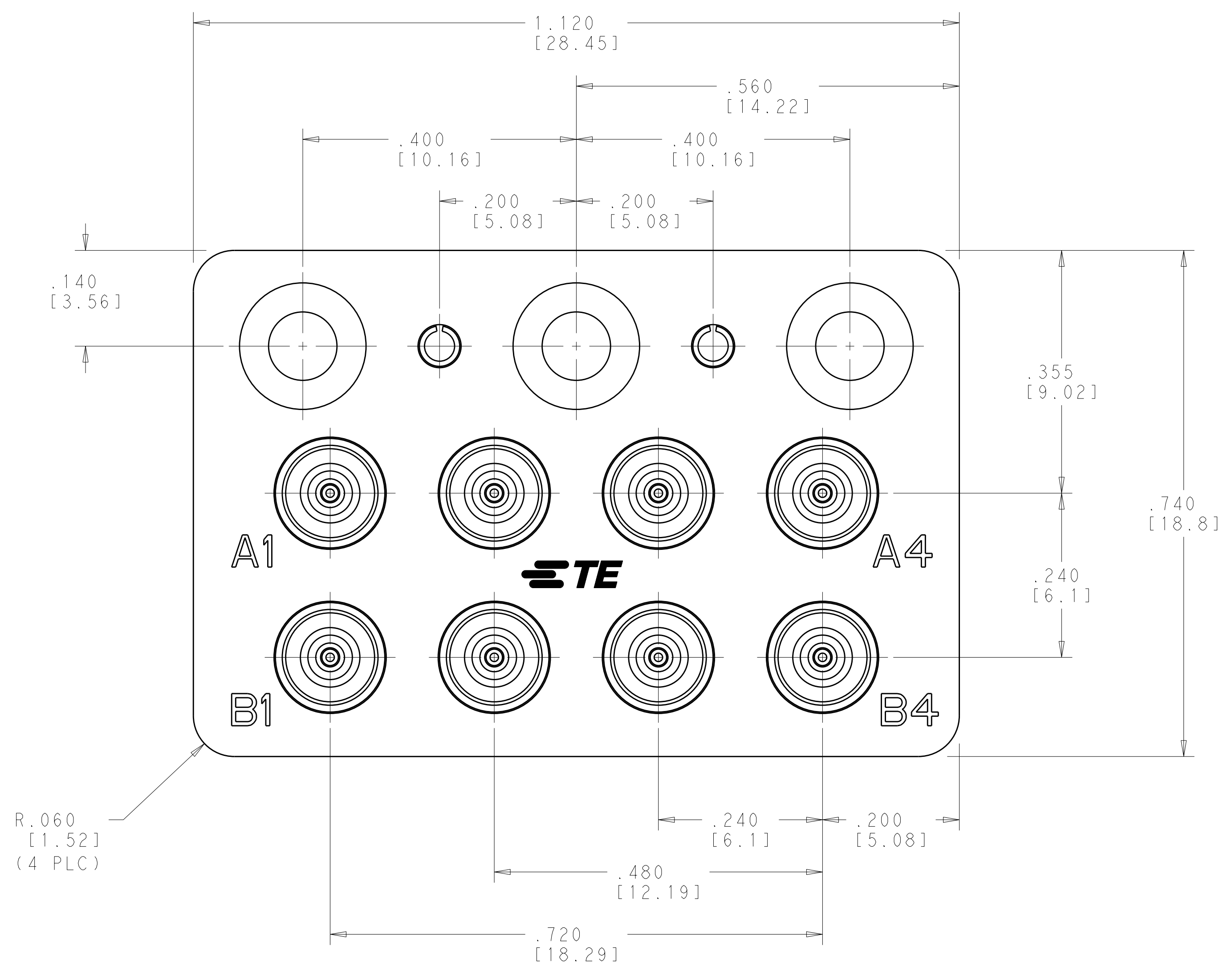


LOC	DIST	REV	DATE	BY	APPD
		E	12SEP2011	RJM3	STM
		F	12SEP2011	RJM3	BM
		C	01JUNE2010	STM	STM
		D	24MAR2011	RJM3	STM



- ⚠ MATERIAL: SMOOTHBORE SMPM CONNECTOR BODY & CENTER CONTACT - BERYLIUM COPPER, ALLOY UNS C17300 CONDITION TD04, PER ASTM B196.
 INSULATORS - TEFLON (PTFE) ROD, PER ASTM D 1710.
 MODULE BODY & OSMM CONNECTORS - STAINLESS STEEL, PER UNS S30300
 SLOTTED SPRIN PIN - NICKEL STAINLESS STEEL
- ⚠ FINISH: MODULE BODY, CONNECTOR BODIES & CENTER CONTACT - GOLD PLATE OVER NICKEL
 SLOTTED SPRING PIN - PASSIVATED
- ⚠ FINISH: MODULE BODY, OSMM CONNECTOR BODY & SLOTTED SPRING PIN - PASSIVATED
 SMOOTHBORE SMPM CONNECTOR BODY & CENTER CONTACT - GOLD PLATE OVER NICKEL

③	1996777-2
②	1996777-1
SURFACE FINISH	PART NUMBER

THIS DRAWING IS A CONTROLLED DOCUMENT.

DIMENSIONS: INCHES	TOLERANCES UNLESS OTHERWISE SPECIFIED:	0 PLC ±.1	1 PLC ±.01	2 PLC ±.001	3 PLC ±.0005	ANGLES ±.0005	FINISH
SEE TABLE							

OWN: RJM3	DATE: 04FEB2011	TE Connectivity NAME: 8 POSITION P.C.B. MOUNT RF MODULE, OSMM CONTACTS VITA 67 BACKPLANE - C SINK MTG. HOLES SIZE: CAGE CODE DRAWING NO: A100779C=1996777 WEIGHT: - CUSTOMER DRAWING
CHK: STM	DATE: 04FEB2011	
APPD: STM	DATE: 04FEB2011	
PRODUCT SPEC:	APPLICATION SPEC:	

SCALE: 8:1 SHEET 1 OF 1 REV F

Mouser Electronics

Authorized Distributor

Click to View Pricing, Inventory, Delivery & Lifecycle Information:

[TE Connectivity:](#)

[1996777-2](#)