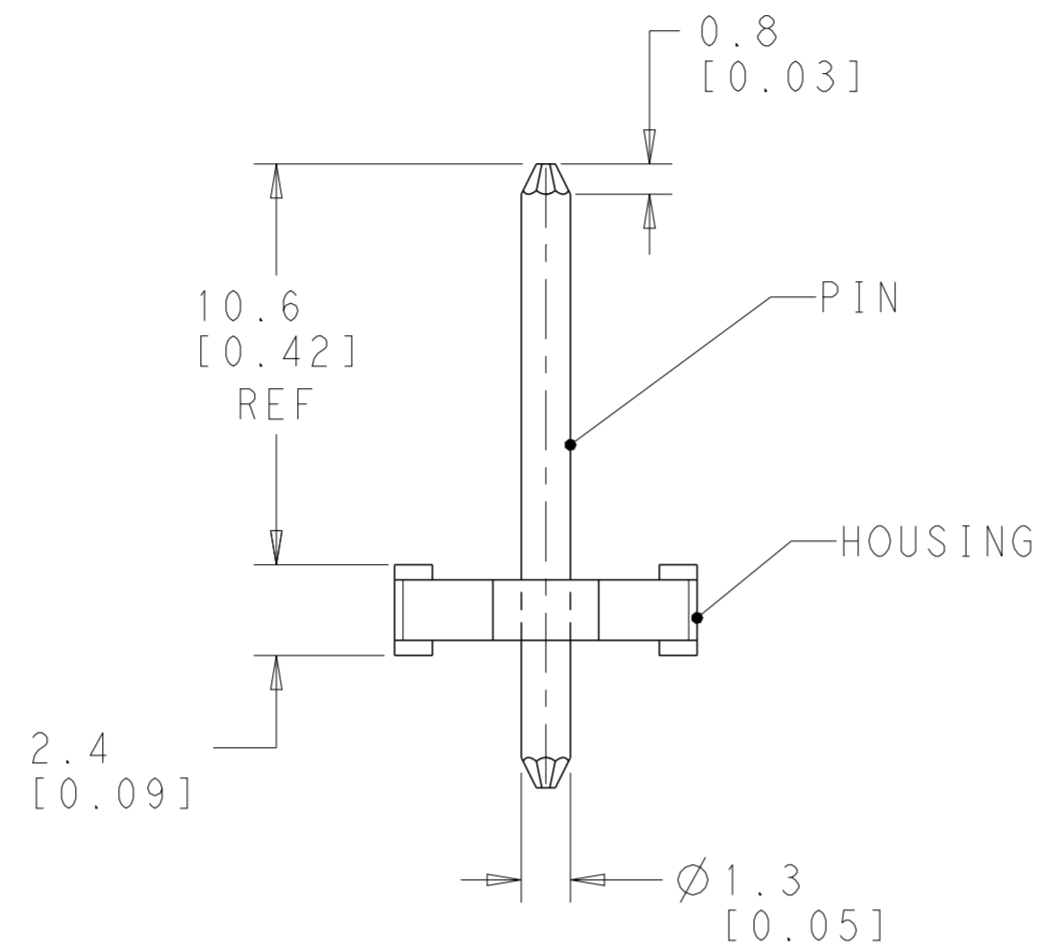
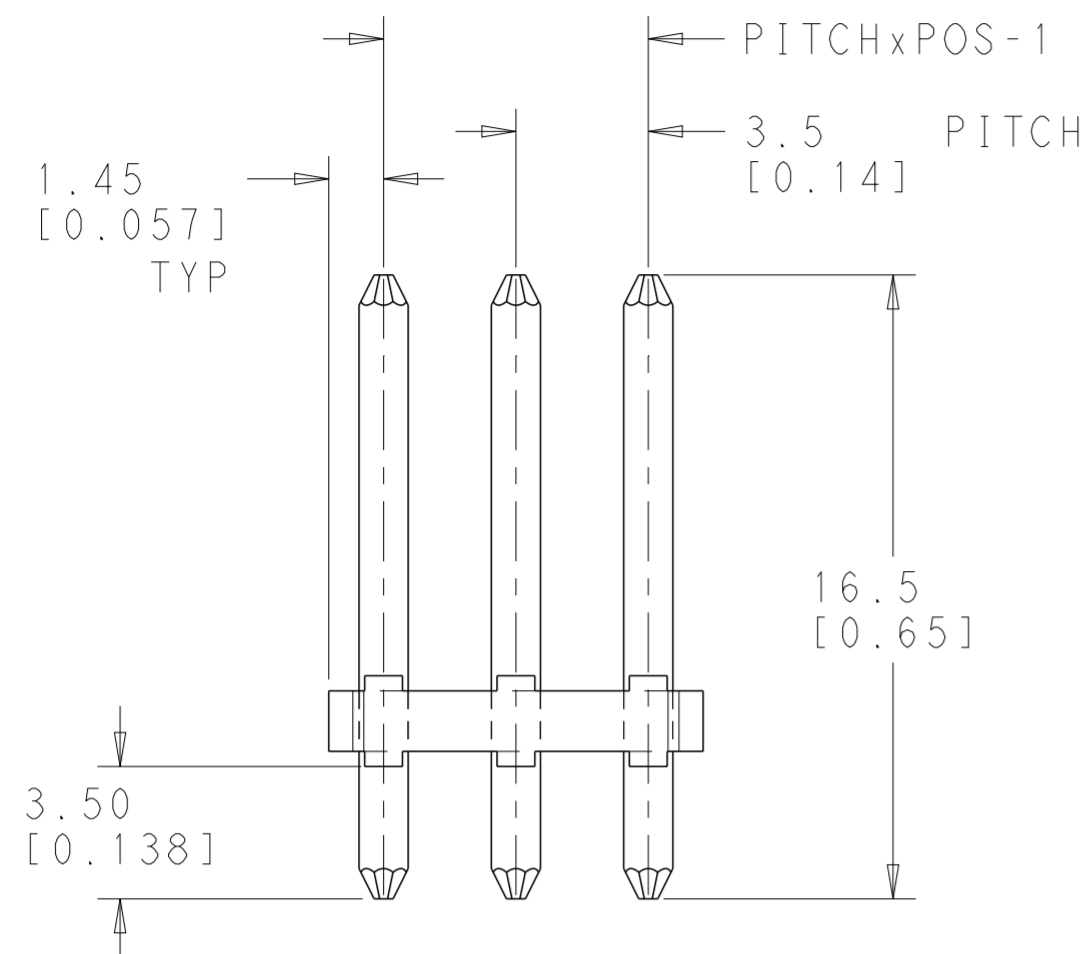
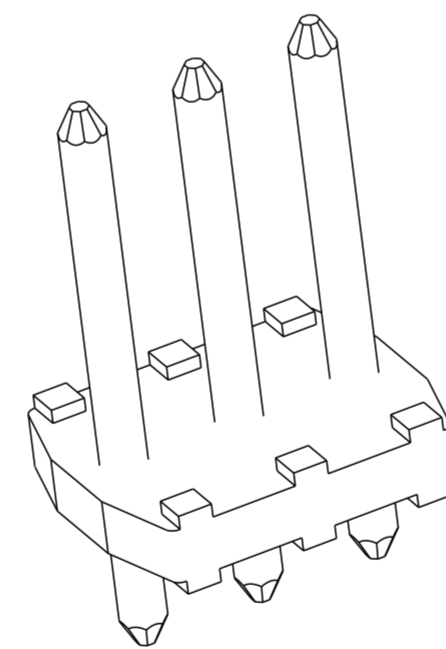
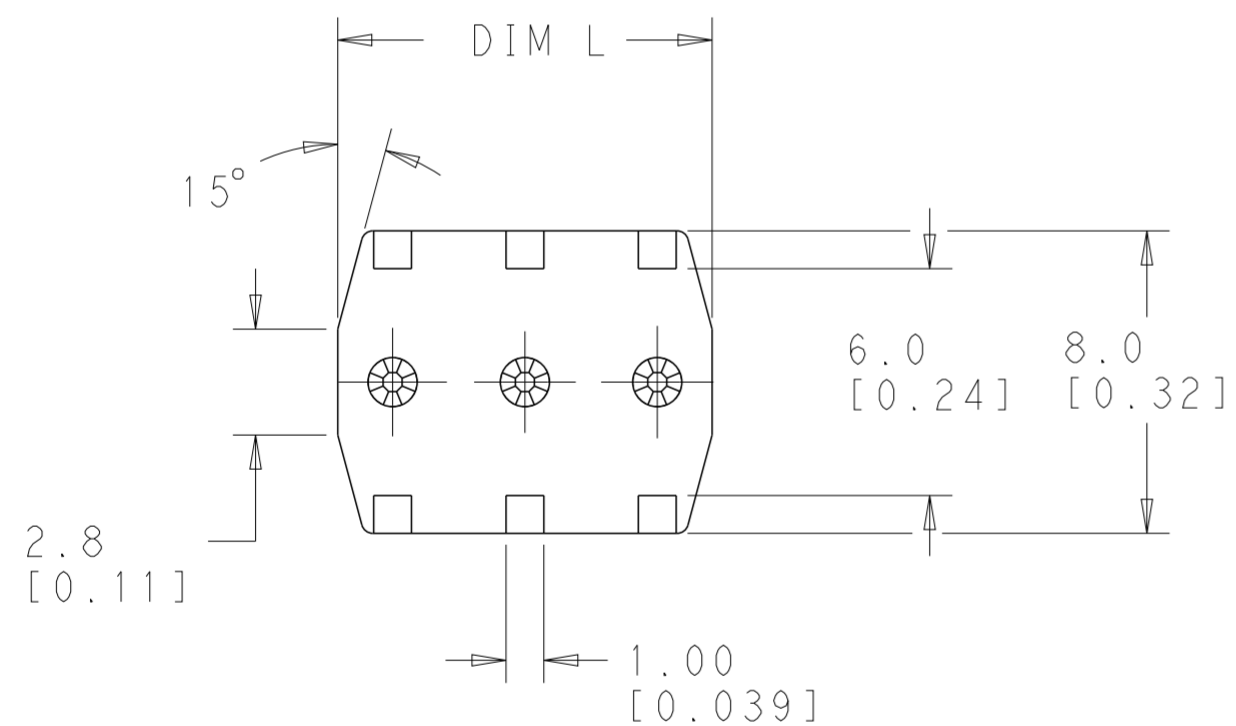


P	LTR	DESCRIPTION	DATE	DWN	APVD
B3		ADDED BLACK VARIANT	14AUG2015	RRN	PS
B4		5-2 TO 5-8 PART OBSOLETE	29AUG2020	DV	PS



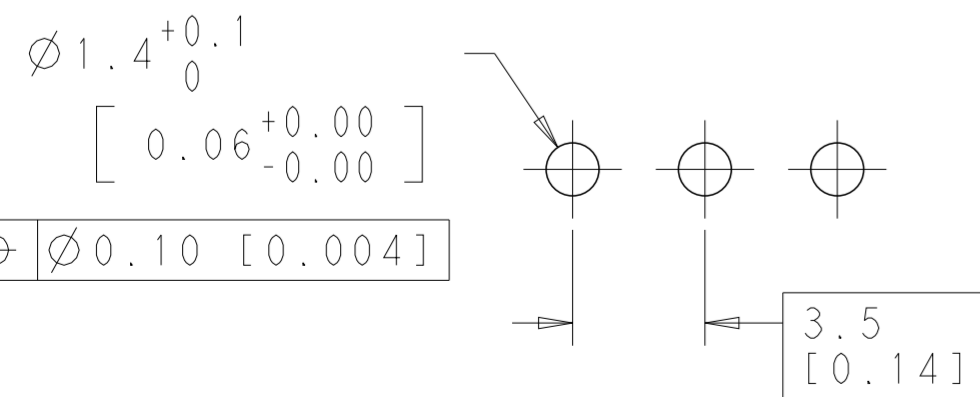
NOTES:

- MATERIALS:
HOUSING: PA HIGH TEMP, UL94 V0, COLOUR: SEE TABLE
PIN: COPPER ALLOY
PLATING: TIN PLATED
- MECHANICAL:
OPERATING TEMPERATURE: -40°C TO +110°C
- ELECTRICAL:
VOLTAGE RATING: 150 V
CURRENT RATING: 2 A
CONTACT RESISTANCE: 15 mOHM (MAX)
INSULATION RESISTANCE: 1000 MOHMS (MIN) (500V DC)



- 3 AS SHOWN

COLOUR	DIM L	POS	PART NO
OBSOLETE	27.40 [1.078]	8	5-1986718-8
	23.90 [0.941]	7	5-1986718-7
	20.40 [0.803]	6	5-1986718-6
	16.90 [0.665]	5	5-1986718-5
	13.4 [0.527]	4	5-1986718-4
	9.90 [0.389]	3	5-1986718-3
	6.40 [0.252]	2	5-1986718-2
	GREEN	27.40 [1.078]	8
23.90 [0.941]		7	1986718-7
20.40 [0.803]		6	1986718-6
16.90 [0.665]		5	1986718-5
13.4 [0.527]		4	1986718-4
9.90 [0.389]		3	1986718-3
6.40 [0.252]		2	1986718-2



THIS DRAWING IS A CONTROLLED DOCUMENT.		DWN YASHKUMAR 09NOV2011	TE Connectivity	
DIMENSIONS: MM [INCH]		CHK SARVER MICHAEL 09NOV2011		
TOLERANCES UNLESS OTHERWISE SPECIFIED:		APVD SARVER MICHAEL 09NOV2011	NAME MALE CONNECTOR, UNSHROUDED HEADER WITH WIDE BASE STRAIGHT SIDE STACKABLE, PIN 1.3mm DIA, PITCH 3.50mm	
0 PLC ±	1 PLC ±0.20 [0.008]	PRODUCT SPEC -	SIZE A2	CAGE CODE 00779
2 PLC ±0.10 [0.004]	3 PLC ±	APPLICATION SPEC -	DRAWING NO C-1986718	RESTRICTED TO
4 PLC ±	ANGLES ±1°	WEIGHT -	SCALE 5:1	SHEET 1 OF 1
FINISH -		CUSTOMER DRAWING	REV B4	

Mouser Electronics

Authorized Distributor

Click to View Pricing, Inventory, Delivery & Lifecycle Information:

[TE Connectivity:](#)

[1986718-7](#)