

4

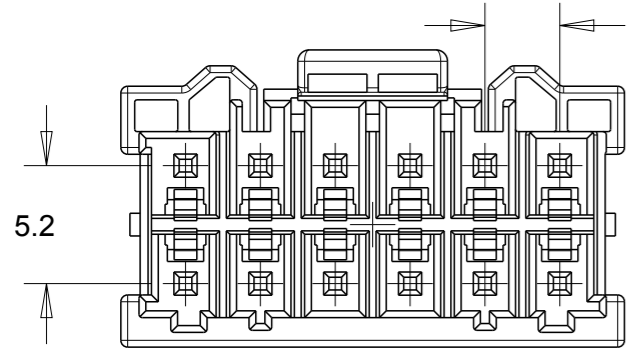
3

2

1

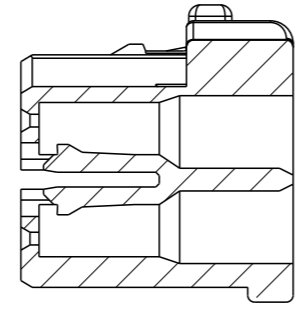
THIS DRAWING IS UNPUBLISHED. RELEASED FOR PUBLICATION 20  
 © COPYRIGHT 20 BY - ALL RIGHTS RESERVED.

LOC	DIST	REVISIONS					
		P	LTR	DESCRIPTION	DATE	DWN	APVD
-	-	C1		ECR-15-006845	04MAY2015	A.Q	D.Z

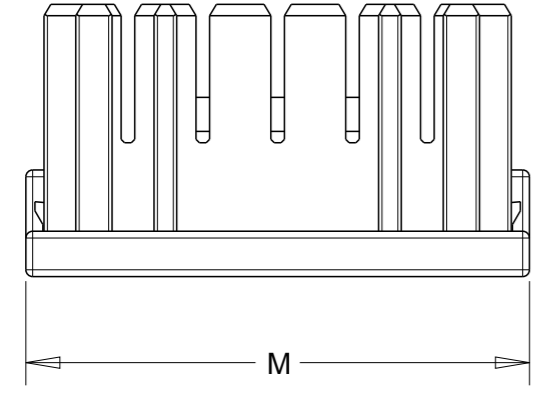


PITCH 3.3

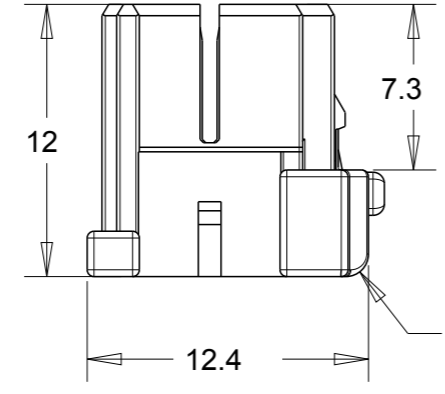
5.2



SECTION A-A



M

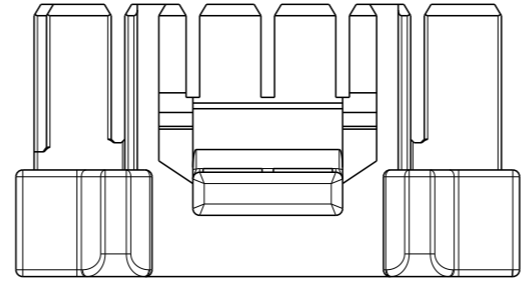


12

12.4

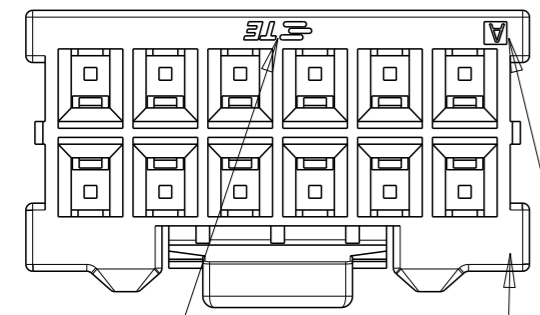
7.3

R1



NOTES:

- 1 MATERIAL: PA 66 GLASS FILLED UL94 V-0
- 2 MATING HEADER ASSEMBLY SEE TABLE
- 3. MATING REC CONTACT 1983780-1



TRADE MARK

CIRCUIT NO.

CAVITY MARK

THIS DRAWING IS A CONTROLLED DOCUMENT.		DWN HJ.Z 08NOV2013	TE Connectivity <b>NAME</b> NEXT GENERATION G13.3 PLUG HOUSING 2ROW -				
DIMENSIONS: mm		CHK TIM.D 08NOV2013					
		APVD YH.MAO 08NOV2013					
TOLERANCES UNLESS OTHERWISE SPECIFIED:		PRODUCT SPEC 108-106094					
0 PLC ±- 1 PLC ±0.5 2 PLC ±0.13 3 PLC ±- 4 PLC ±- ANGLES ±- FINISH -		APPLICATION SPEC 114-106094	SIZE <b>A3</b>	CAGE CODE 00779	DRAWING NO C-1971905	RESTRICTED TO -	
MATERIAL 1		WEIGHT -	Customer Drawing		SCALE -	SHEET 1 OF 3	REV C1

P/N	COLOR	KEYING	M	POS	P/N
4-1971906-7	YELLOW	D	25.5	14	4-1971905-7
3-1971906-7	RED	C			3-1971905-7
2-1971906-7 6-1971906-7	BLUE	B			2-1971905-7
1-1971906-7 5-1971906-7	NATURAL	A	22.2	12	1-1971905-7
4-1971906-6	YELLOW	D			4-1971905-6
3-1971906-6	RED	C			3-1971905-6
2-1971906-6	BLUE	B	18.9	10	2-1971905-6
1-1971906-6	NATURAL	A			1-1971905-6
4-1971906-5	YELLOW	D			4-1971905-5
3-1971906-5	RED	C	15.6	8	3-1971905-5
2-1971906-5	BLUE	B			2-1971905-5
1-1971906-5	NATURAL	A			1-1971905-5
4-1971906-4	YELLOW	D	12.3	6	4-1971905-4
3-1971906-4	RED	C			3-1971905-4
2-1971906-4	BLUE	B			2-1971905-4
1-1971906-4	NATURAL	A	9	4	1-1971905-4
4-1971906-3	YELLOW	D			4-1971905-3
3-1971906-3	RED	C			3-1971905-3
2-1971906-3	BLUE	B	9	4	2-1971905-3
1-1971906-3	NATURAL	A			1-1971905-3
4-1971906-2	YELLOW	D			4-1971905-2
3-1971906-2	RED	C	9	4	3-1971905-2
2-1971906-2	BLUE	B			2-1971905-2
1-1971906-2	NATURAL	A			1-1971905-2
MATING CONN P/N	COLOR	KEYING	M	POS	P/N

THIS DRAWING IS UNPUBLISHED.

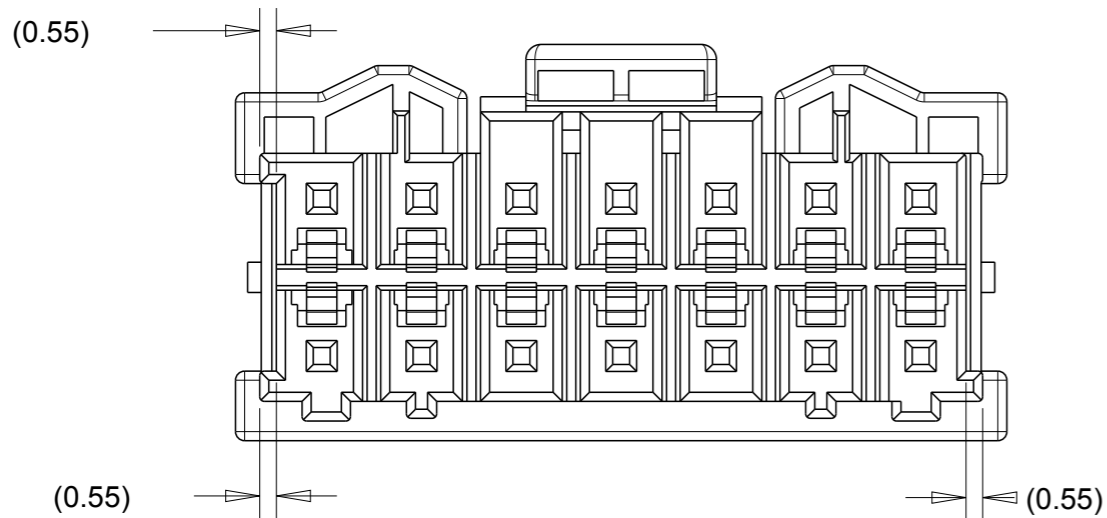
RELEASED FOR PUBLICATION

20

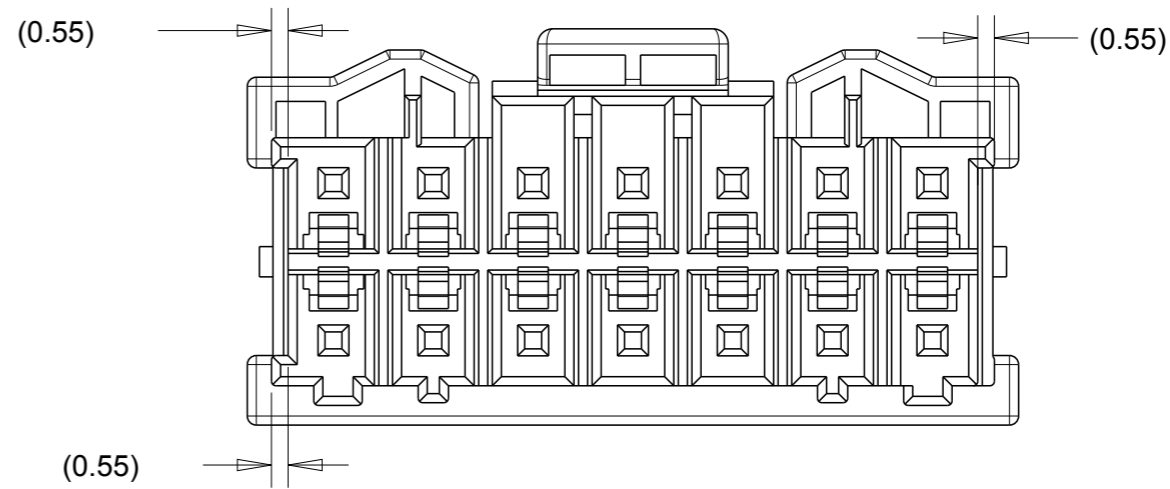
© COPYRIGHT 20 BY - ALL RIGHTS RESERVED.

LOC	DIST	REVISIONS					
		P	LTR	DESCRIPTION	DATE	DWN	APVD
-	-	-	-	SEE SHEET 1	-	-	-

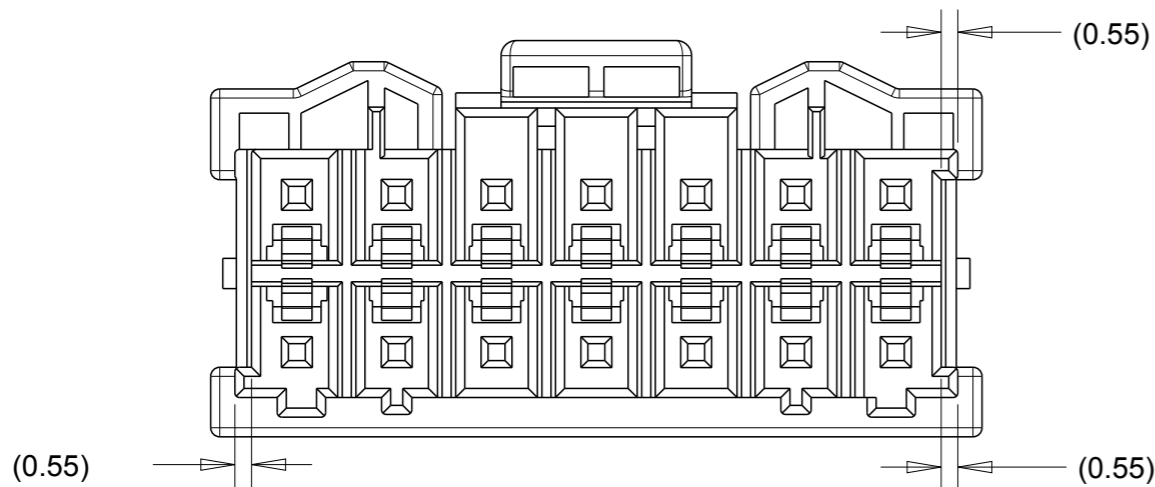
KEYING FEATURE SHOWN BY \*-1971905-7



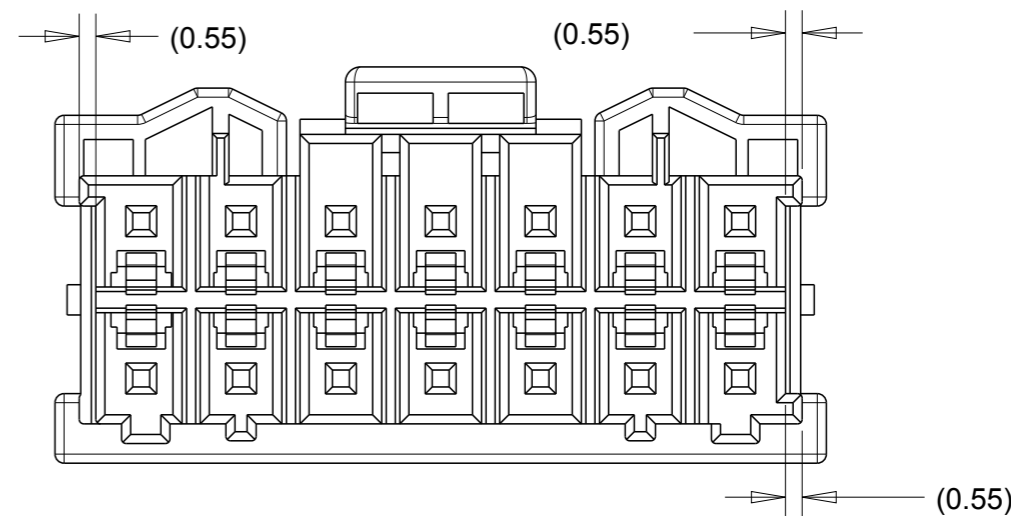
KEYING A




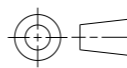
KEYING B



KEYING C



KEYING D

THIS DRAWING IS A CONTROLLED DOCUMENT.		DWN HJ.Z	08NOV2013	 TE Connectivity	NAME <b>NEXT GENERATION G13.3  PLUG HOUSING 2ROW</b>
DIMENSIONS: mm		CHK TIM.D	08NOV2013		
		APVD YH.MAO	08NOV2013		
TOLERANCES UNLESS OTHERWISE SPECIFIED:		PRODUCT SPEC 108-106094			
MATERIAL -		FINISH -		APPLICATION SPEC 114-106094	RESTRICTED TO
		WEIGHT -		SIZE <b>A3</b>	CAGE CODE 00779
				DRAWING NO C-1971905	
		Customer Drawing	SCALE -	SHEET 2 OF 3	REV C1

THIS DRAWING IS UNPUBLISHED.

RELEASED FOR PUBLICATION

20

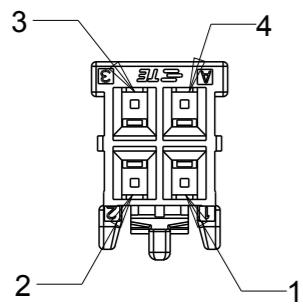
© COPYRIGHT 20 BY -

ALL RIGHTS RESERVED.

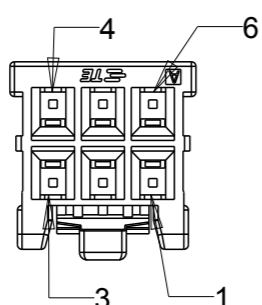
LOC	DIST	REVISIONS					
		P	LTR	DESCRIPTION	DATE	DWN	APVD
-	-	-	-	SEE SHEET 1	-	-	-

CIRCUIT NUMBER SHOWN FOR ALL P/N

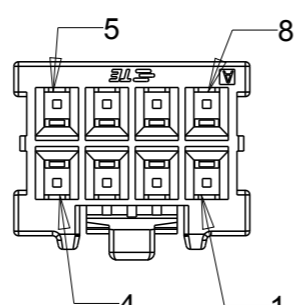
1-1971905-2 SHOWN



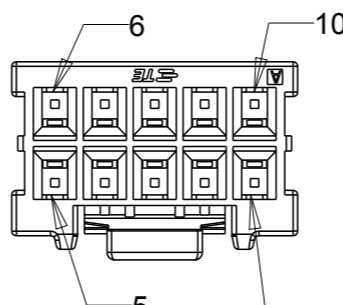
1-1971905-3 SHOWN



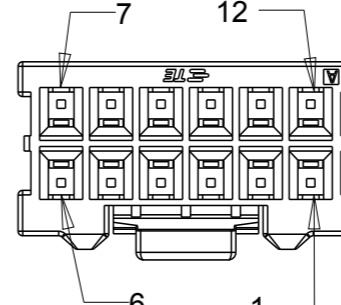
1-1971905-4 SHOWN



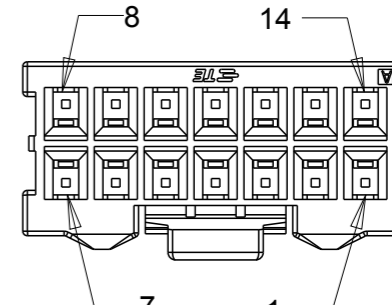
1-1971905-5 SHOWN



1-1971905-6 SHOWN



1-1971905-7 SHOWN



THIS DRAWING IS A CONTROLLED DOCUMENT.		DWN <b>ANNIE QIAN</b> 04MAY2015														
DIMENSIONS: mm		CHK <b>ANNIE QIAN</b> 04MAY2015														
TOLERANCES UNLESS OTHERWISE SPECIFIED:		APVD <b>DANIEL ZHANG</b> 04MAY2015	NAME <b>NEXT GENERATION GI3.3 PLUG HOUSING 2ROW</b>													
<table border="0"> <tr><td>0 PLC</td><td>±-</td></tr> <tr><td>1 PLC</td><td>±0.5</td></tr> <tr><td>2 PLC</td><td>±0.13</td></tr> <tr><td>3 PLC</td><td>±-</td></tr> <tr><td>4 PLC</td><td>±-</td></tr> <tr><td>ANGLES</td><td>±-</td></tr> </table>		0 PLC	±-	1 PLC	±0.5	2 PLC	±0.13	3 PLC	±-	4 PLC	±-	ANGLES	±-	PRODUCT SPEC <b>108-106094</b>	RESTRICTED TO	
0 PLC	±-															
1 PLC	±0.5															
2 PLC	±0.13															
3 PLC	±-															
4 PLC	±-															
ANGLES	±-															
MATERIAL -		APPLICATION SPEC <b>114-106094</b>	SIZE <b>A3</b>	CAGE CODE -												
FINISH -		WEIGHT -	DRAWING NO <b>1971905</b>	SCALE -												
		CUSTOMER DRAWING	SHEET <b>3</b>	OF <b>3</b>												
			REV <b>C1</b>													

# Mouser Electronics

Authorized Distributor

Click to View Pricing, Inventory, Delivery & Lifecycle Information:

[TE Connectivity:](#)

[2-1971905-5](#)