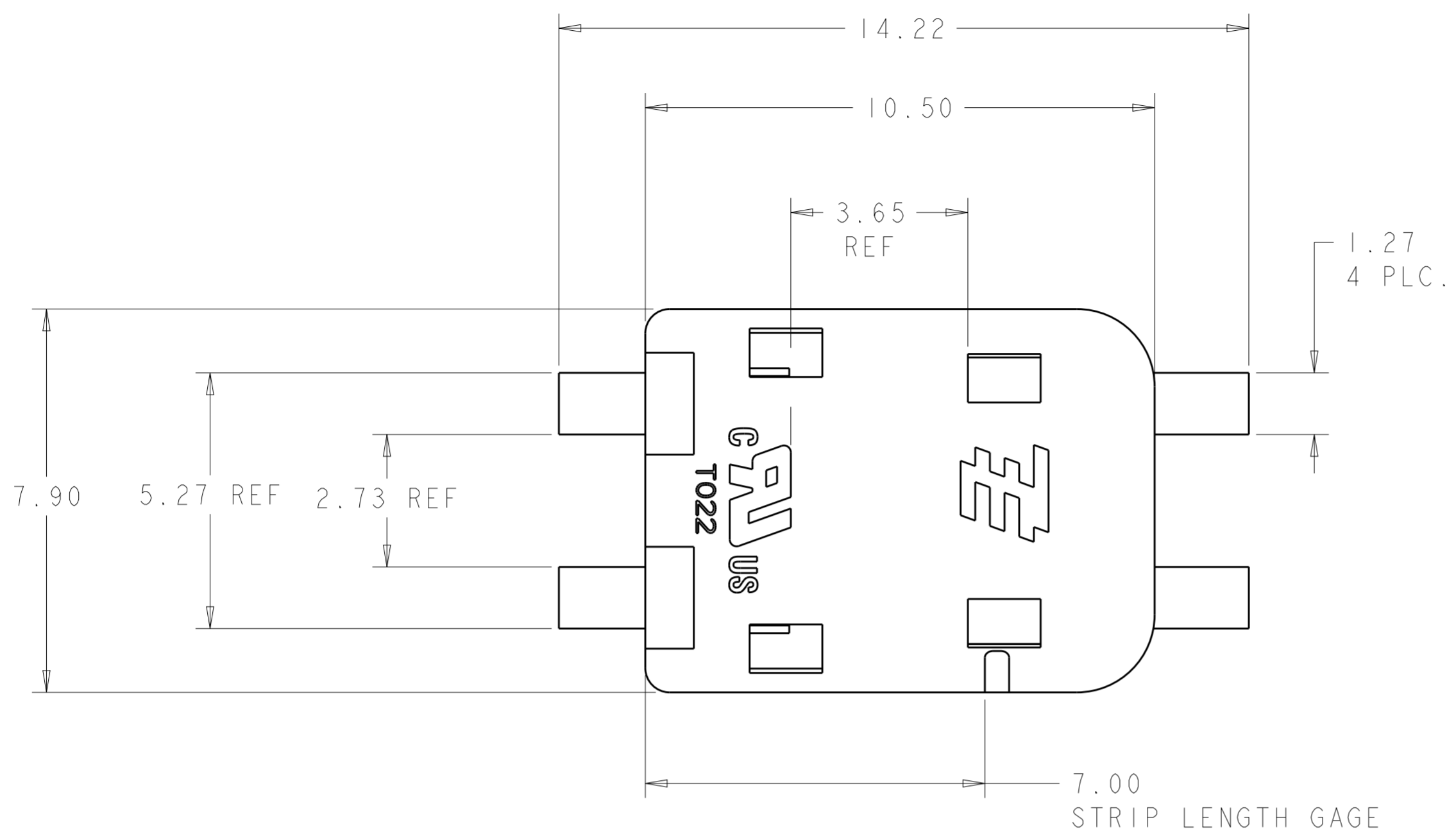
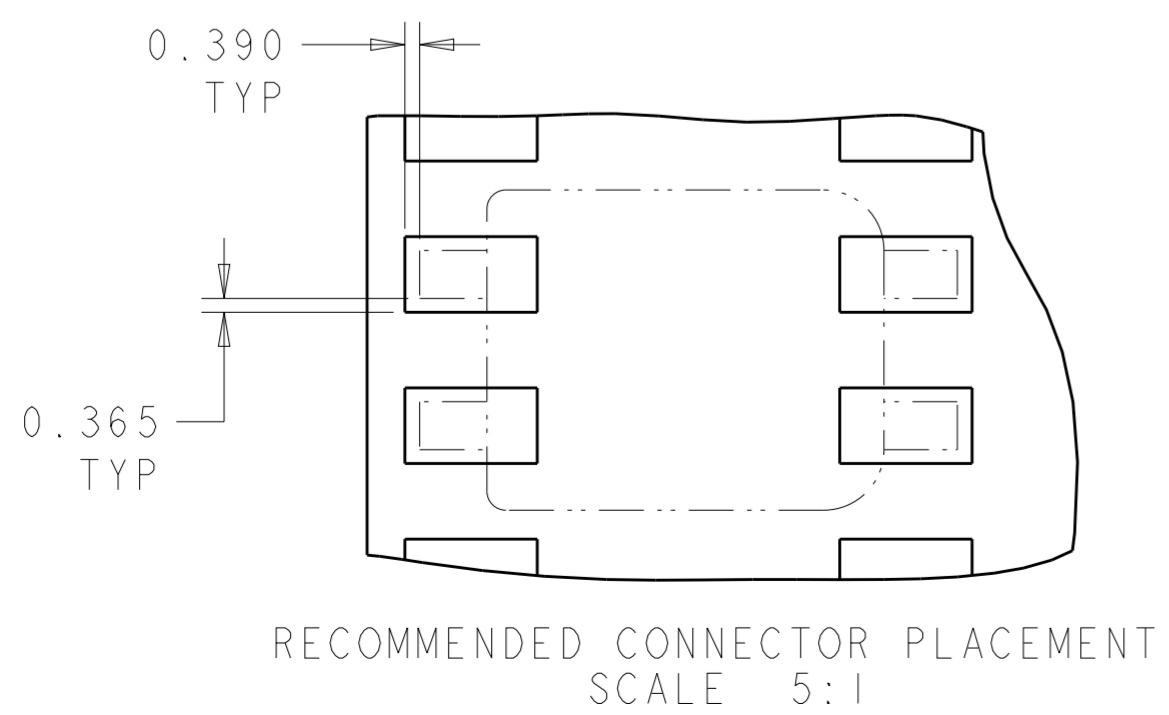
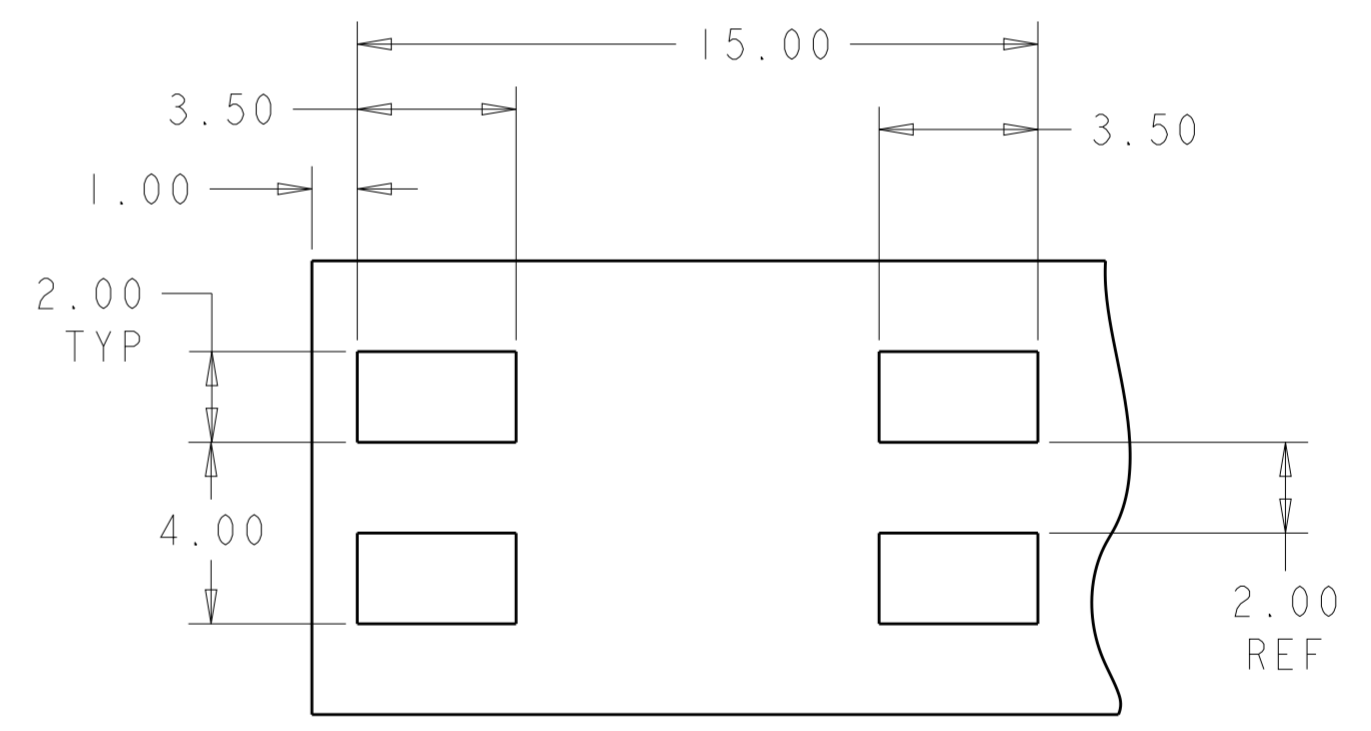
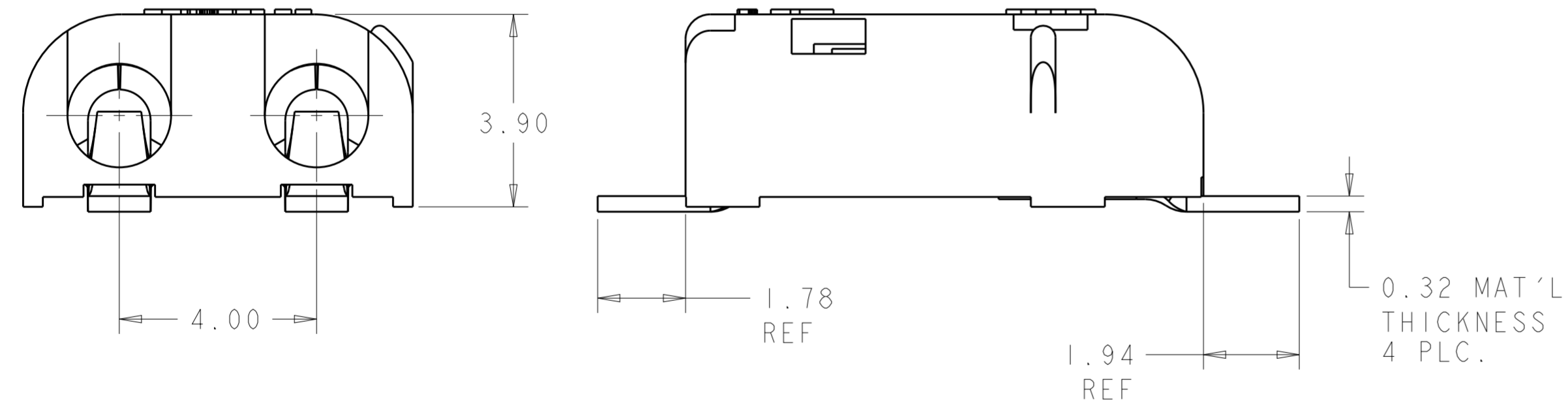


THIS DRAWING IS UNPUBLISHED. RELEASED FOR PUBLICATION 20
 © COPYRIGHT 20 BY - ALL RIGHTS RESERVED.

LOC		DIST		REVISIONS			
P	LTR	DESCRIPTION	DATE	DWN	APVD		
AF	50	A7	REVISED PER ECO-11-004587	11MAR2011	RK	HMR	
		A8	REVISED PER ECR-11-011090	03JUN2011	SK	DD	
		A9	REVISED PER ECR-14-017349	02DEC2014	RS	DD	



- NOTES :
- 1. MATERIALS AND FINISH:
 - HOUSING: LCP, COLOR: WHITE
 - CONTACTS: COPPER ALLOY, FINISH: TIN
 - 2. MUST COMPLY WITH DIRECTIVE 2002/95/EC (ROHS)
 - 3. NOTE DELETED.
 - 4. WIRE TYPES AND SIZES ACCEPTED
 - 18, 20 AND 22 AWG SOLID WIRE
 - 18 AND 20 AWG PREBOND STRANDED WIRE
 - 18 AWG STRANDED WIRE (16 STRAND COUNT)
 - MAX INSULATION OD: 2.10 MM (.083")
 - STRIP LENGTH: 7.0±1.0 (.276")
 - 5. MATERIAL AND FINISH:
 - HOUSING: LCP, COLOR: BLACK.
 - CONTACTS: COPPER ALLOY, FINISH: TIN
 - 6. PACKAGED IN TAPE AND REEL



PACKAGING	MATERIAL	COLOR	PART NO.
OBSOLETE	1	WHITE	1954097-3
6	5	BLACK	1-1954097-1
6	1	WHITE	1954097-1

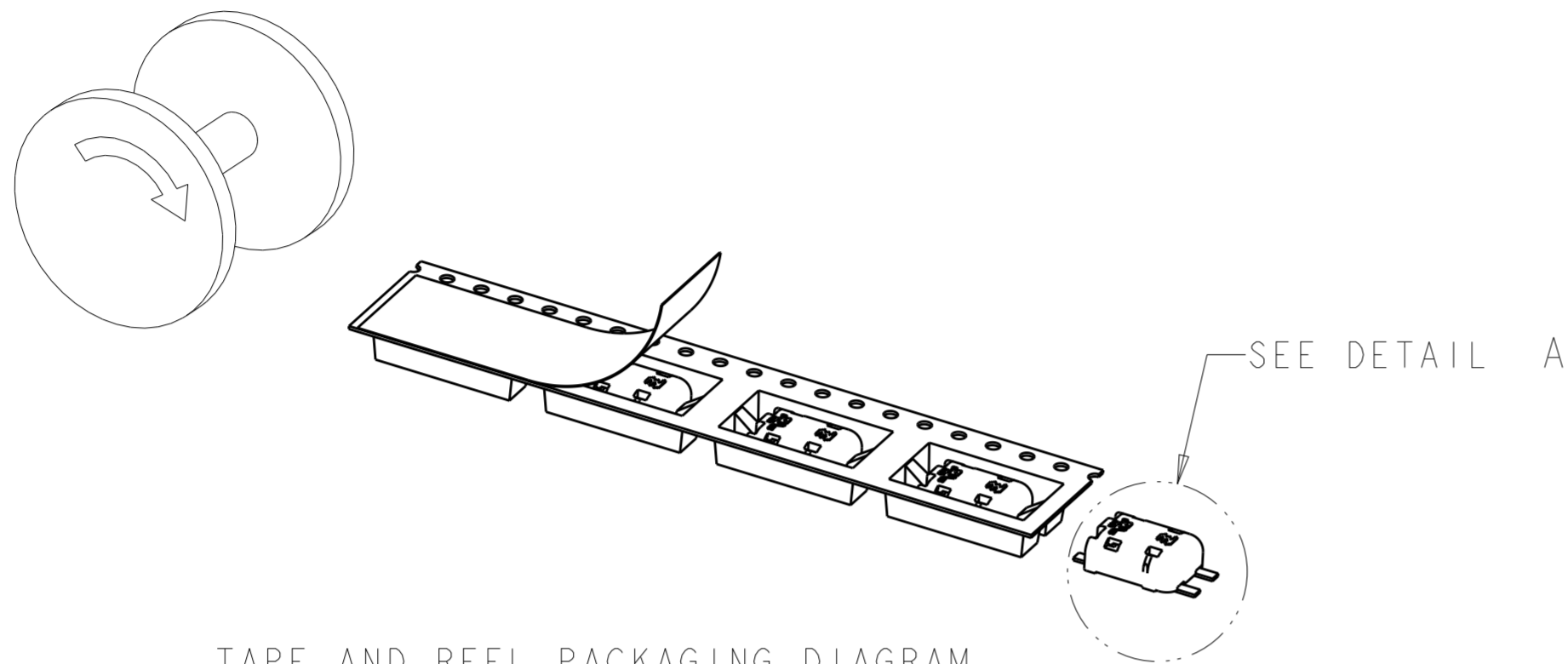
THIS DRAWING IS A CONTROLLED DOCUMENT.

DWN: C. DAILY 06 JUN 2006	TE Connectivity POKE-IN LED CONNECTOR ASSEMBLY, 2 POSITION SMT
CHK: S. HORST 06 JUN 2006	
APVD: J.K. KNOLL 25 OCT 2007	
PRODUCT SPEC: 108-2284	
MATERIAL: SEE TABLE	APPLICATION SPEC: 114-13194
Customer Drawing	

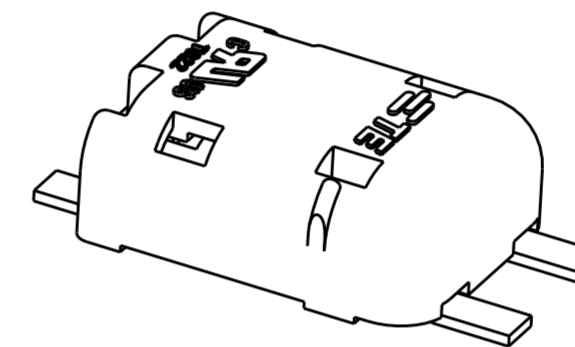
SIZE: A2	CAGE CODE: 00779	DRAWING NO: C-1954097	RESTRICTED TO: -
SCALE: 7:1	SHEET: 1	OF: 2	REV: A9

THIS DRAWING IS UNPUBLISHED. RELEASED FOR PUBLICATION 20
 © COPYRIGHT 20 BY - ALL RIGHTS RESERVED.

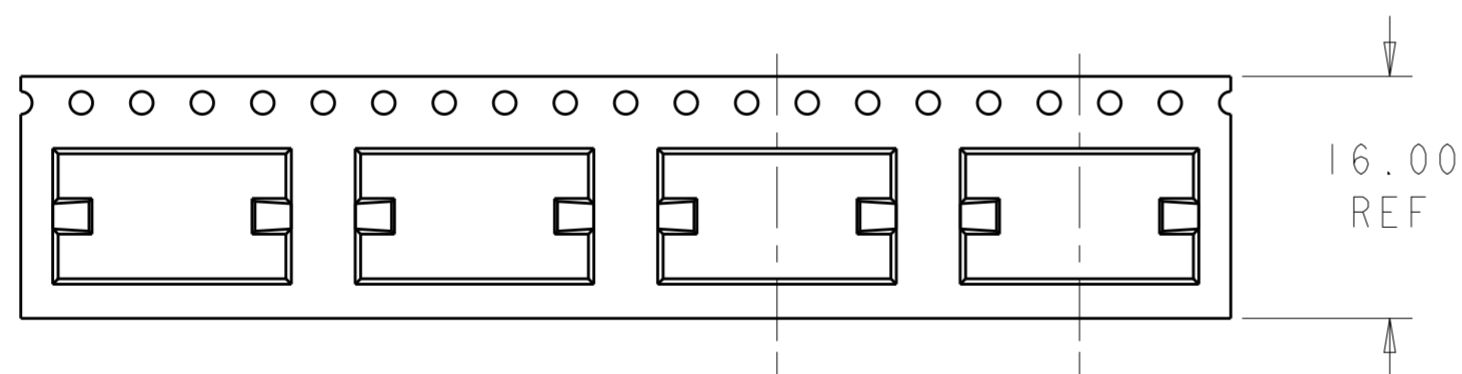
LOC	DIST	REVISIONS					
AF	50	P	LTR	DESCRIPTION	DATE	DWN	APVD
		-		SEE SHEET 1	-	-	-



TAPE AND REEL PACKAGING DIAGRAM
 FOR 1954097-1 & 1-1954097-1



DETAIL A
 SCALE 5:1



20.00 REF
 TYP

SCALE 2:1

THIS DRAWING IS A CONTROLLED DOCUMENT.		DWN C. DAILY 06 JUN 2006	TE Connectivity	
		CHK S. HORST 06 JUN 2006		
DIMENSIONS: mm		APVD J. K. KNOLL 25 OCT 2007	NAME POKE-IN LED CONNECTOR ASSEMBLY, 2 POSITION SMT	
TOLERANCES UNLESS OTHERWISE SPECIFIED:		PRODUCT SPEC 108-2284	RESTRICTED TO	
0 PLC ±		APPLICATION SPEC 114-13194	SIZE A200779	CAGE CODE C-1954097
1 PLC ±0.2		WEIGHT -	SCALE 7:1 SHEET 2 OF 2 REV A9	
2 PLC ±0.10				
3 PLC ±				
4 PLC ±				
ANGLES ±3°				
FINISH				
MATERIAL SEE TABLE		Customer Drawing		

Mouser Electronics

Authorized Distributor

Click to View Pricing, Inventory, Delivery & Lifecycle Information:

[TE Connectivity:](#)

[1954097-1](#)