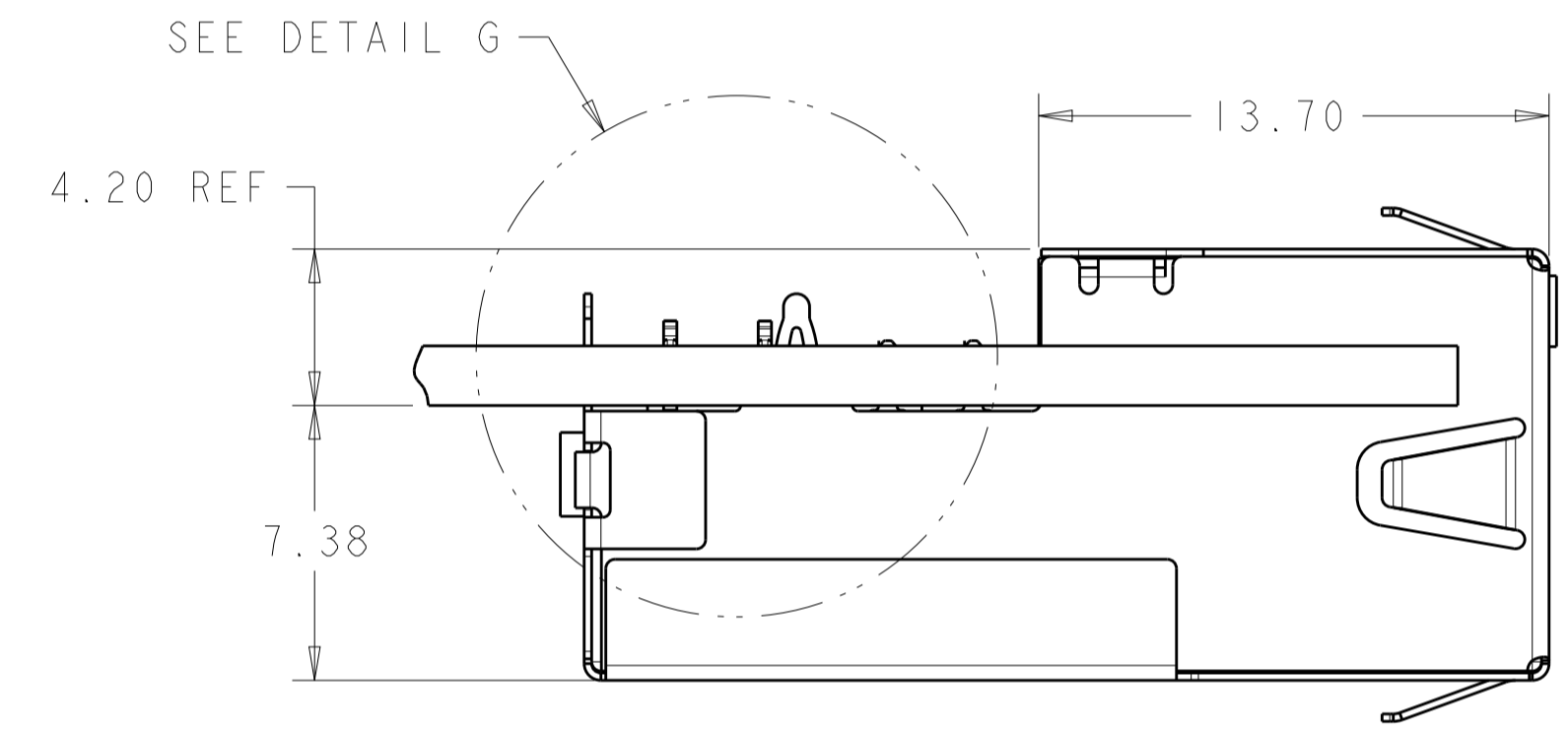
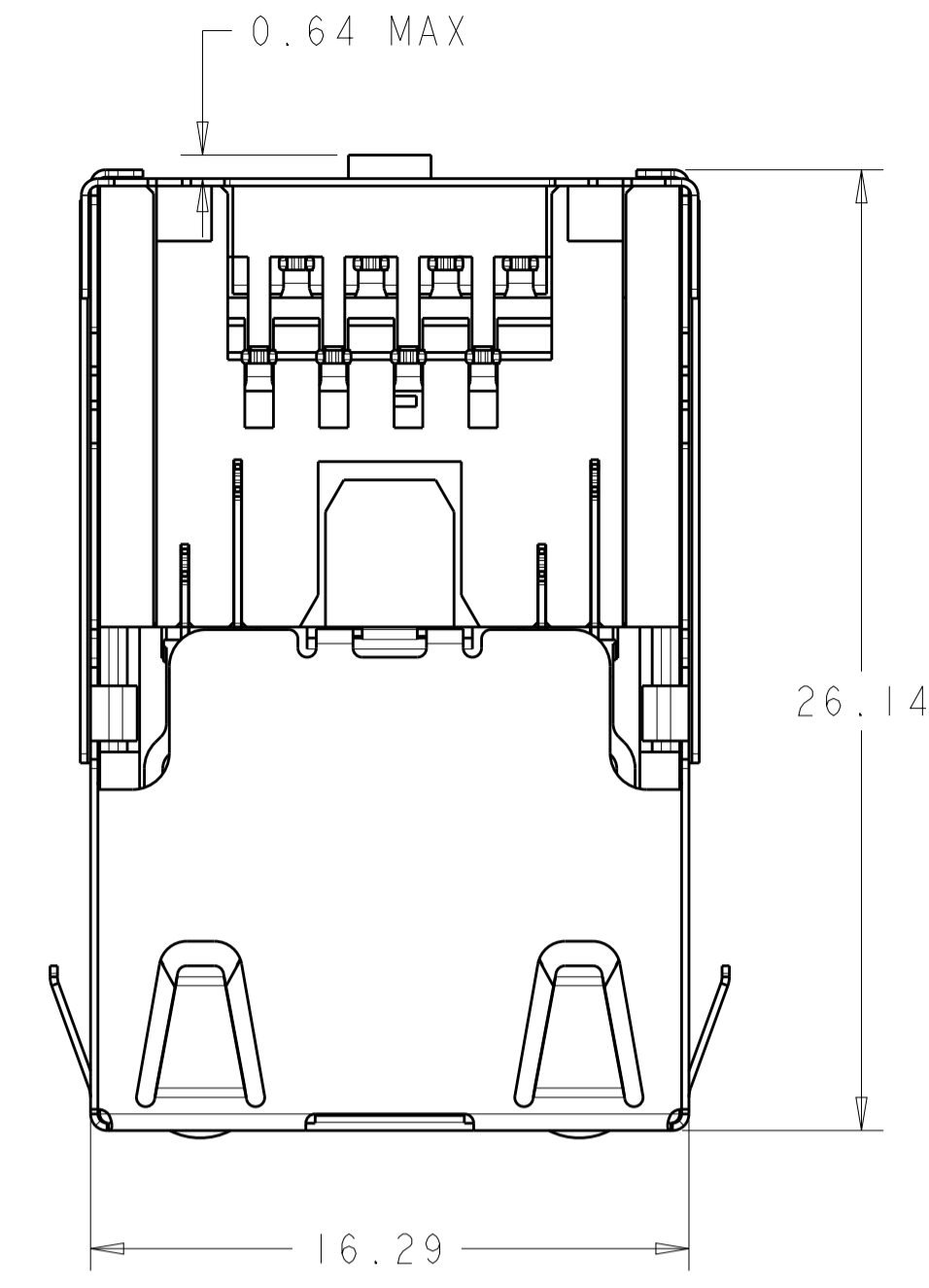
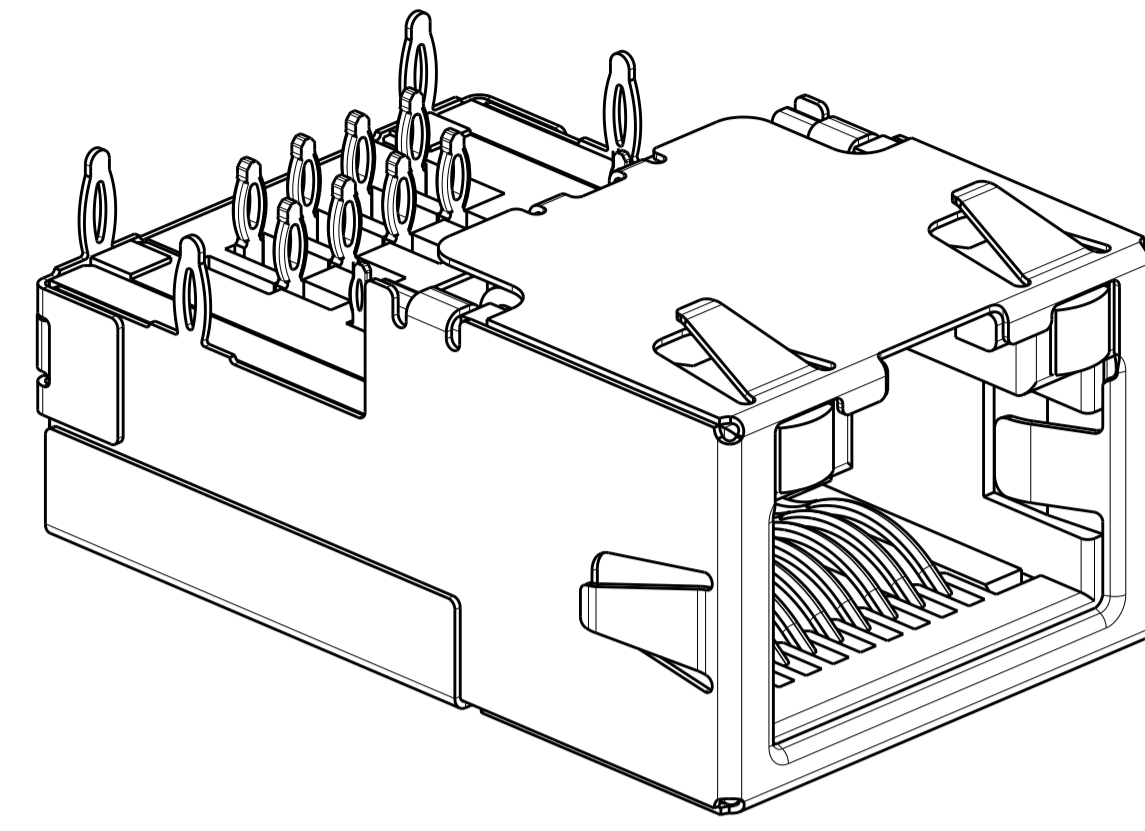
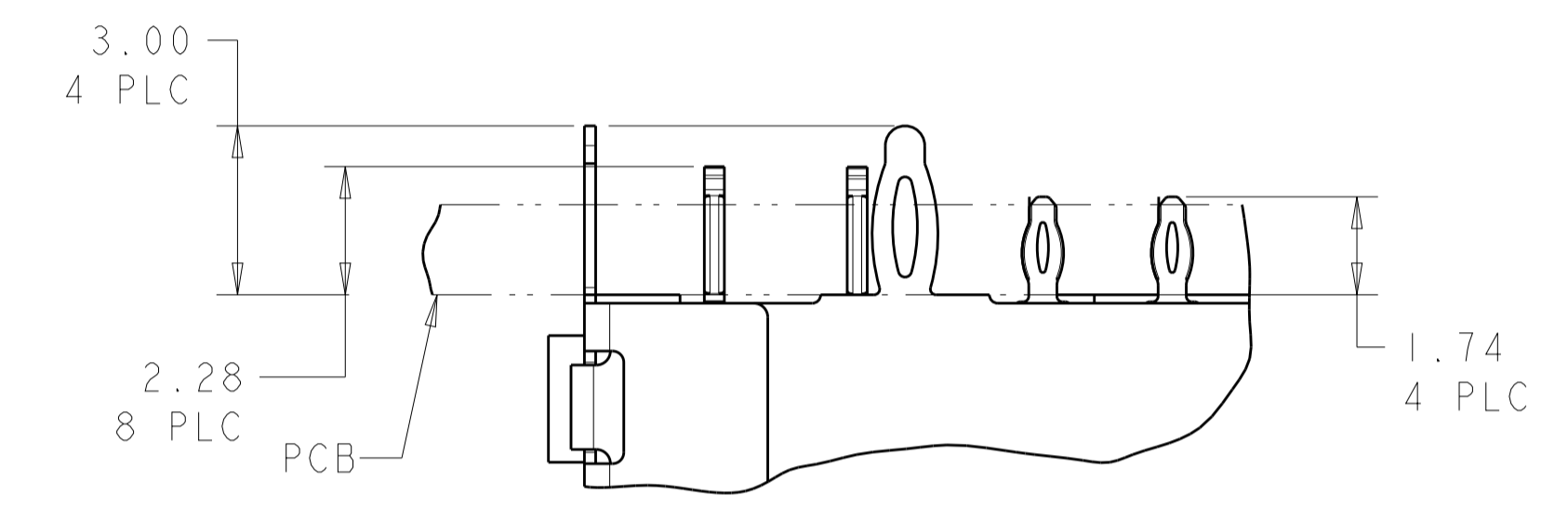
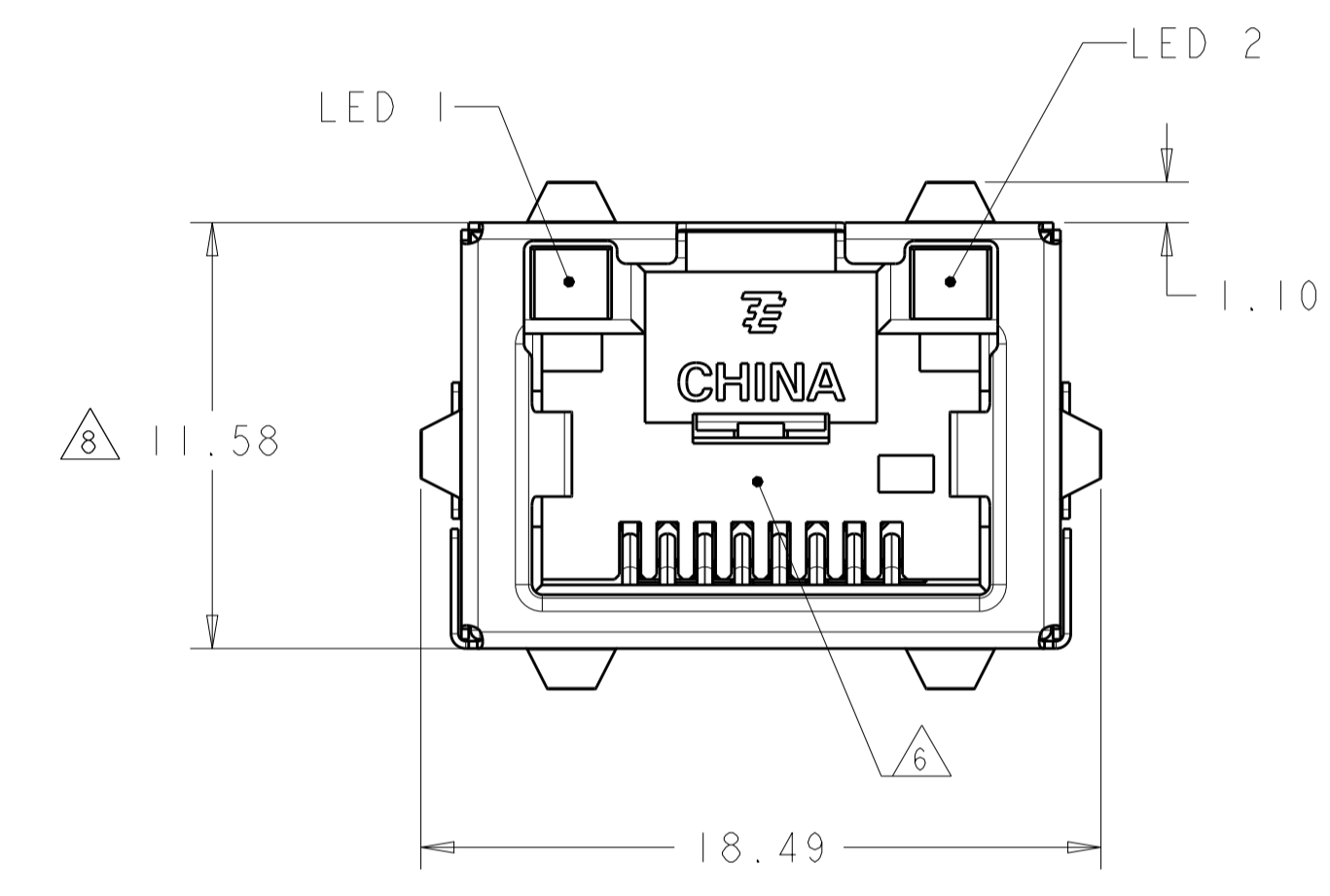


| LOC | DIST | REVISIONS | | | | |
|-----|------|-----------|---------------|-----------|-----|------|
| AA | 00 | P. LTH | DESCRIPTION | DATE | DWN | APVD |
| | | B5 | ECR-11-009822 | 11MAY2011 | JJ | MOW |
| | | C | ECR-12-002445 | 09FEB2012 | JJ | AC |
| | | D | ECO-18-005828 | 27MAR2018 | LL | SH |

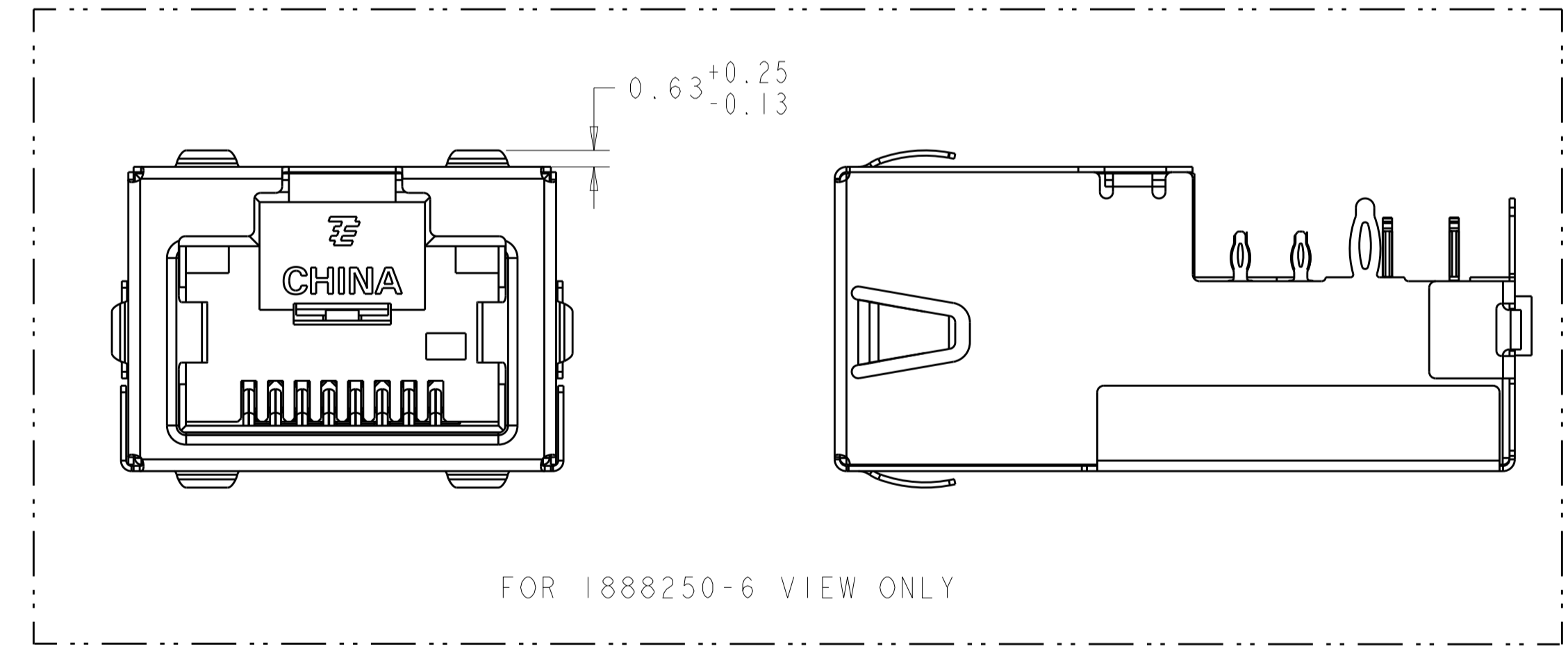
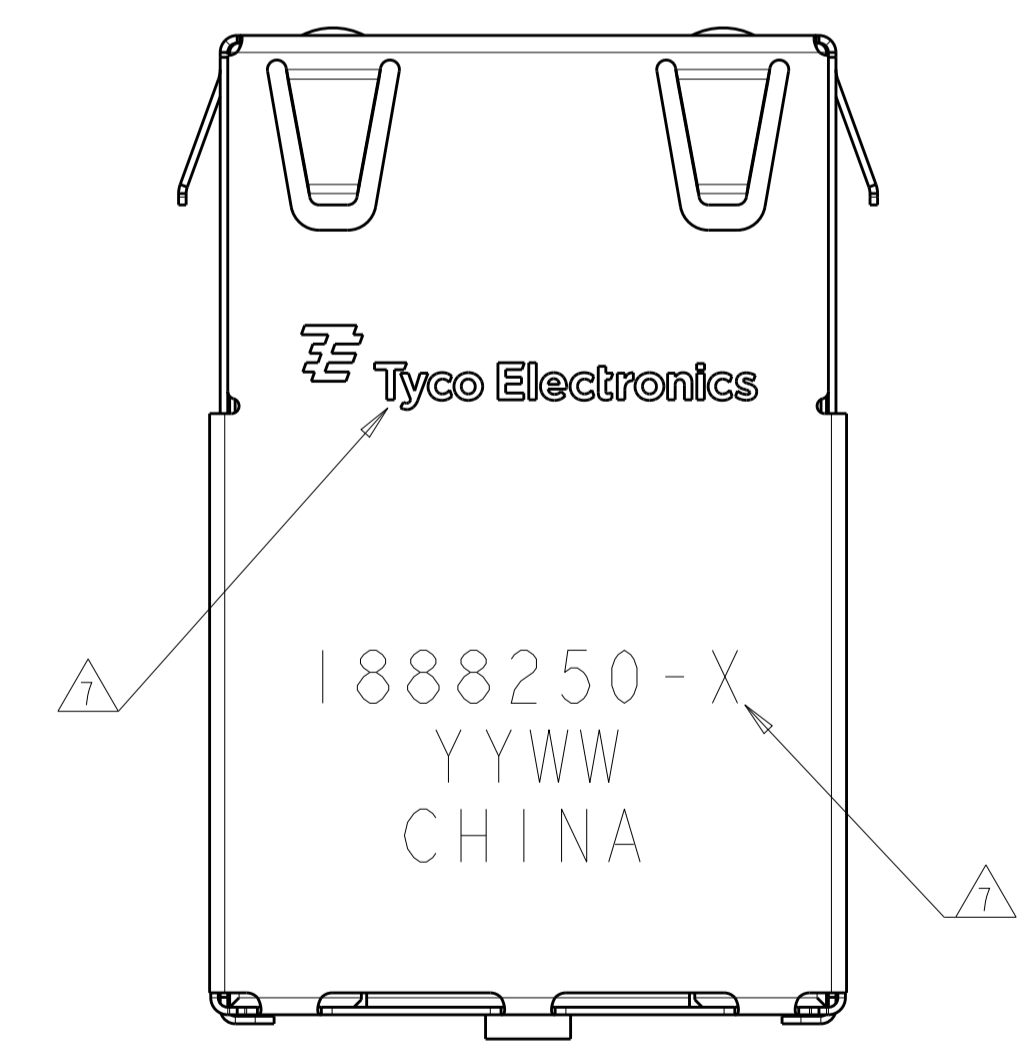


VIEW SHOWN ASSEMBLED TO PCB ONLY

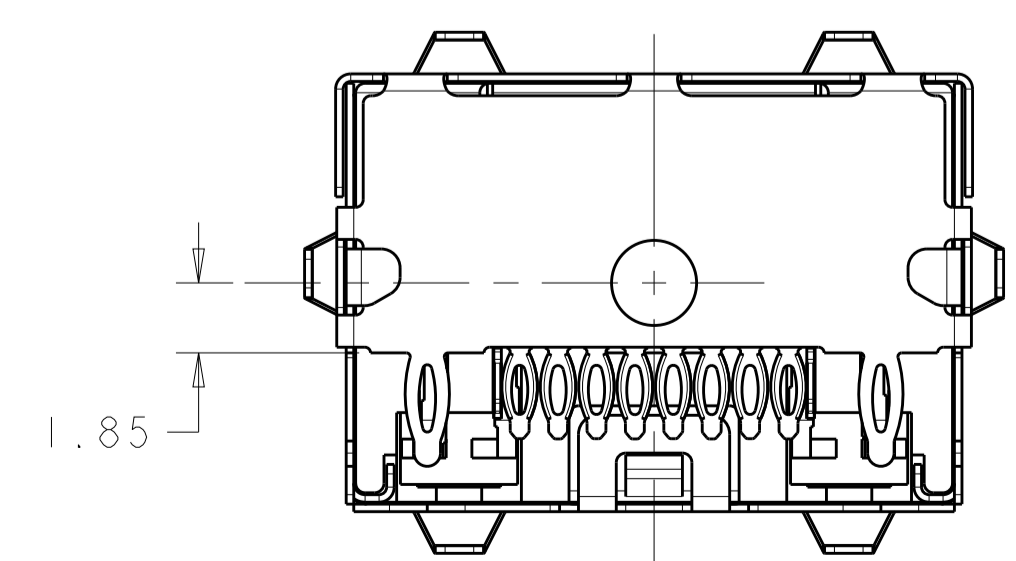


DETAIL G SCALE 8:1

- MATERIALS:
HOUSING: BLACK THERMOPLASTIC, 94V-0.
SHIELD: COPPER ALLOY WITH 0.76µm MIN NICKEL PLATE
CONTACTS: PHOSPHOR BRONZE WITH 1.27µm MIN GOLD AT MATING INTERFACE OVER 1.27µm MIN NICKEL UNDERPLATE.
 - PERFORMANCE:
INSERTION LOSS: 0.4dB @ 100 MHz.
RETURN LOSS: 12.0dB @ 100 MHz.
CROSSTALK ATTENUATION: -43dB MINIMUM @ 100 MHz
CURRENT: 0.6 AMPERE MAXIMUM PER SINGAL CONTACT.
 - LED'S COMPLIANT WITH IEC60825-1 SAFETY OF LASER PRODUCTS WHEN OPERATED AT CURRENT OF 20mA.
 - ALL DIMENSIONS NOMINAL.
 - RECOMMENDED MOTHERBOARD PCB THICKNESS: 1.60±0.16.
- 6 RJ45 PORT CONFORMS TO FCC RULES AND REGULATIONS PART 68 SUB-PART F.
- 7 TE LOGO, PART NUMBER, DATE CODE AND COUNTRY OF ORIGIN TO BE MARKED IN APPROXIMATE LOCATION SHOWN.
- 8 THIS DIMENSION MEETS THE ADVANCED MEZZANINE CARD (AMC) SPECIFICATION.
- 9 PIN 9,10,11,12 ARE LED LEAD PINS, For 1888250-3, NO LED INTEGRATED, HOLES ON PCB FOR THESE PINS ARE ONLY OPTIONAL.
- 10 LED WAVELENGTH FOR THE PN 1888250-7:
GREEN: 520nm ~ 525nm; YELLOW: 590nm ± 5nm.



FOR 1888250-6 VIEW ONLY



| LED #1 | LED #2 | PART NUMBER |
|---------|---------|-------------|
| GRN/YEL | GRN/YEL | 1888250-7 |
| - | - | 1888250-6 |
| YELLOW | GREEN | 1888250-5 |
| GREEN | GREEN | 1888250-4 |
| - | - | 1888250-3 |
| GRN/YEL | GRN/YEL | 1888250-2 |
| GREEN | YELLOW | 1888250-1 |

THIS DRAWING IS A CONTROLLED DOCUMENT.

DIMENSIONS: mm

TOLERANCES UNLESS OTHERWISE SPECIFIED:

| | |
|--------|-------|
| 0 PLC | ± |
| 1 PLC | ±0.13 |
| 2 PLC | ± |
| 3 PLC | ± |
| 4 PLC | ± |
| ANGLES | ± |
| FINISH | ± |

MATERIAL: SEE NOTE 1

FINISH: SEE NOTE 1

RESTRICTED CUSTOMER

DWN: MS/L.A.MAYER 15FEB2008
CHK: J.WESTMAN 15FEB2008
APVD: S.FLICKINGER 15FEB2008

PRODUCT SPEC: 108-2274
APPLICATION SPEC: 114-13179

WEIGHT: -

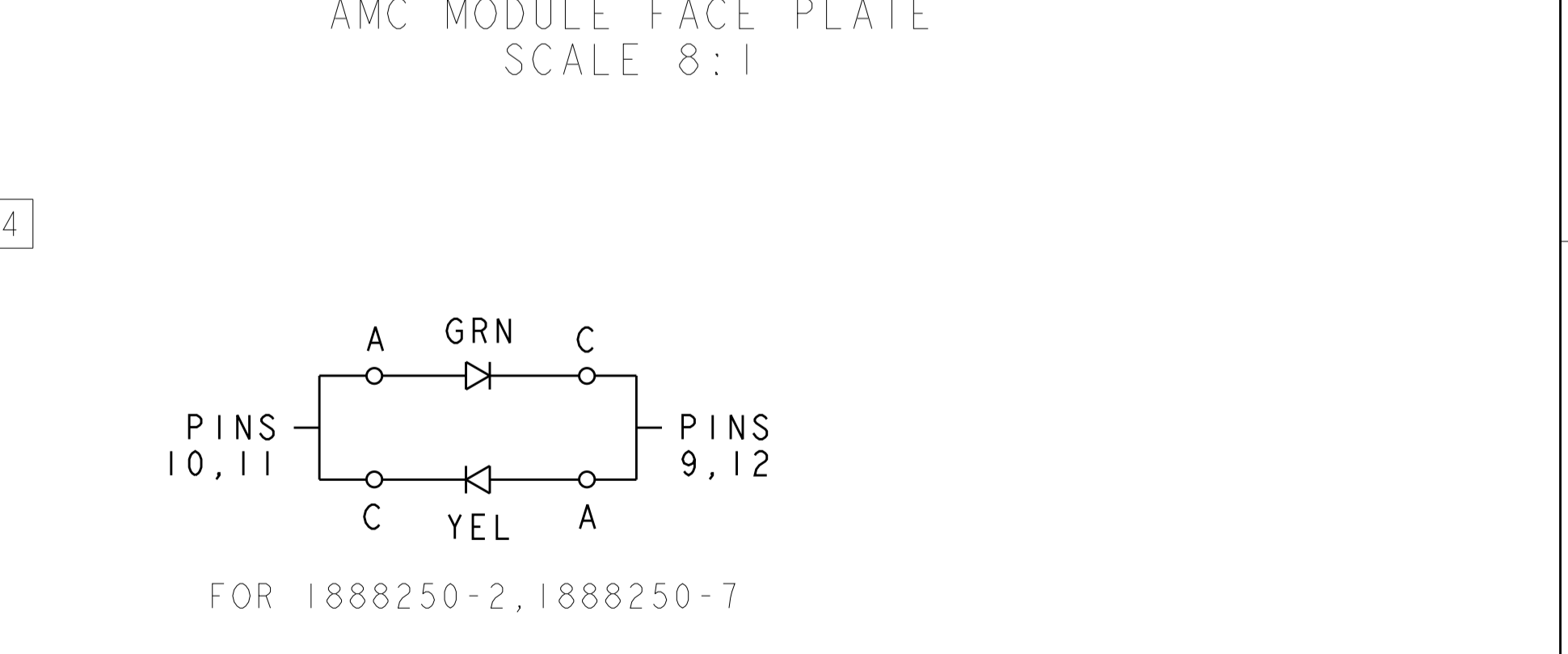
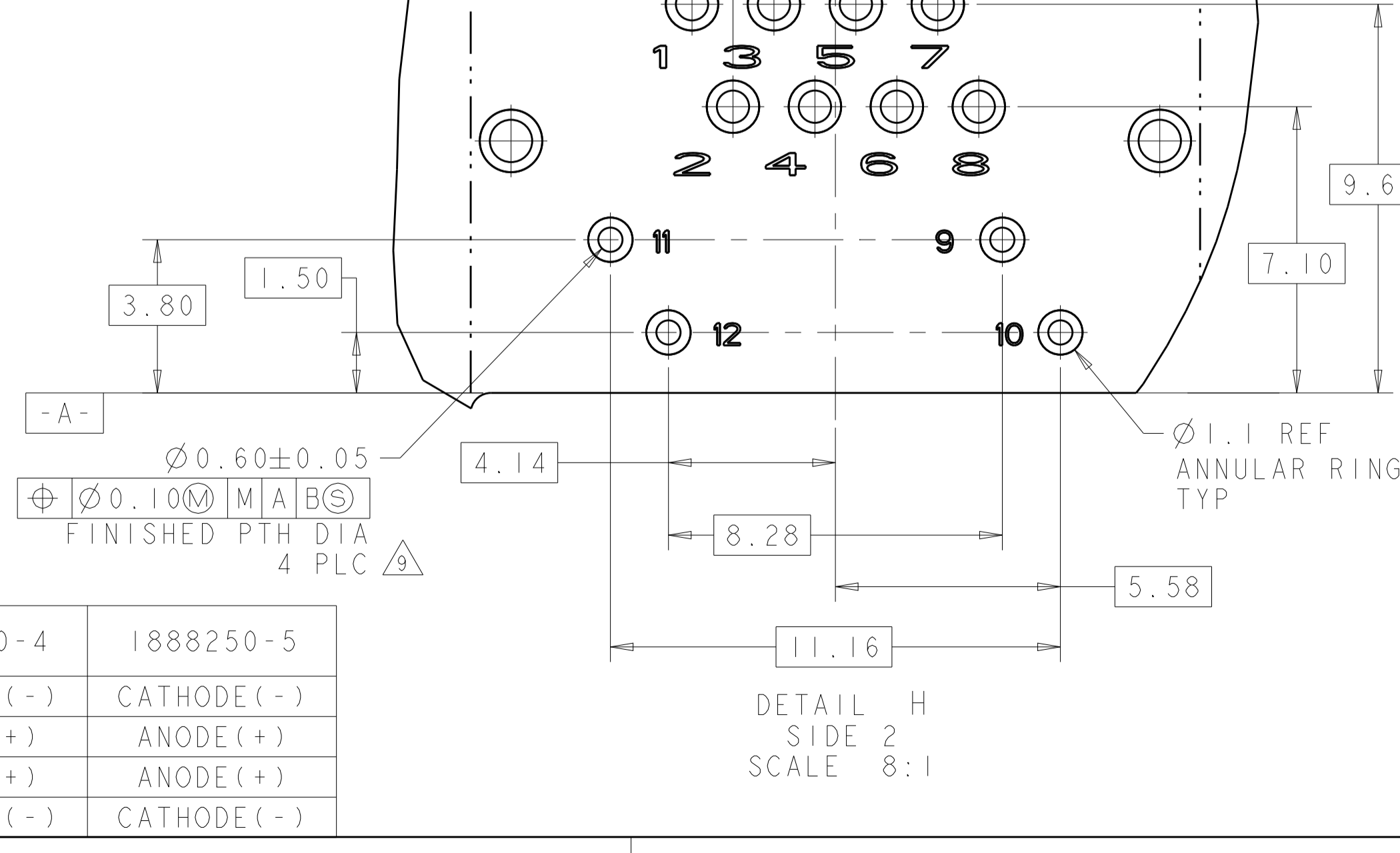
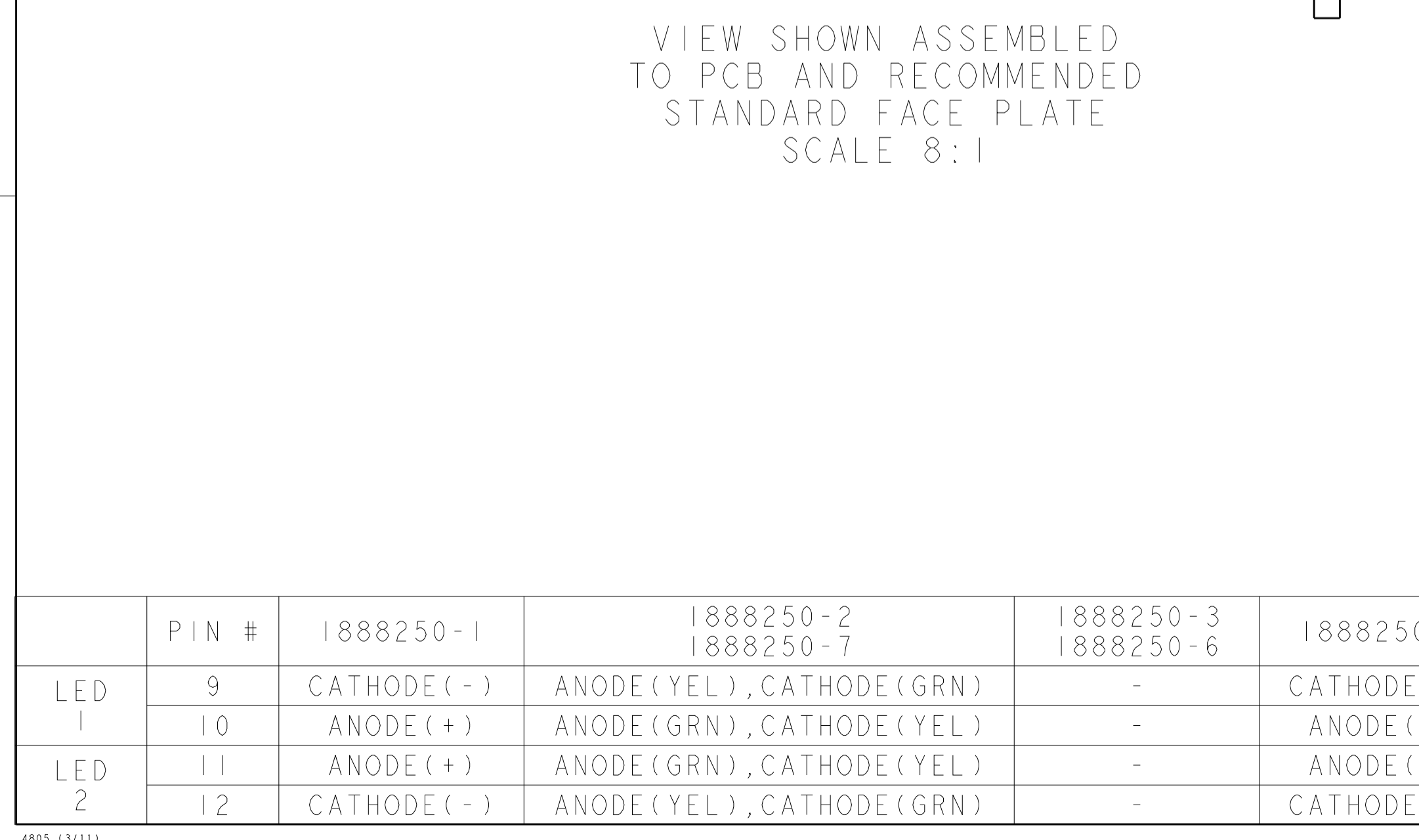
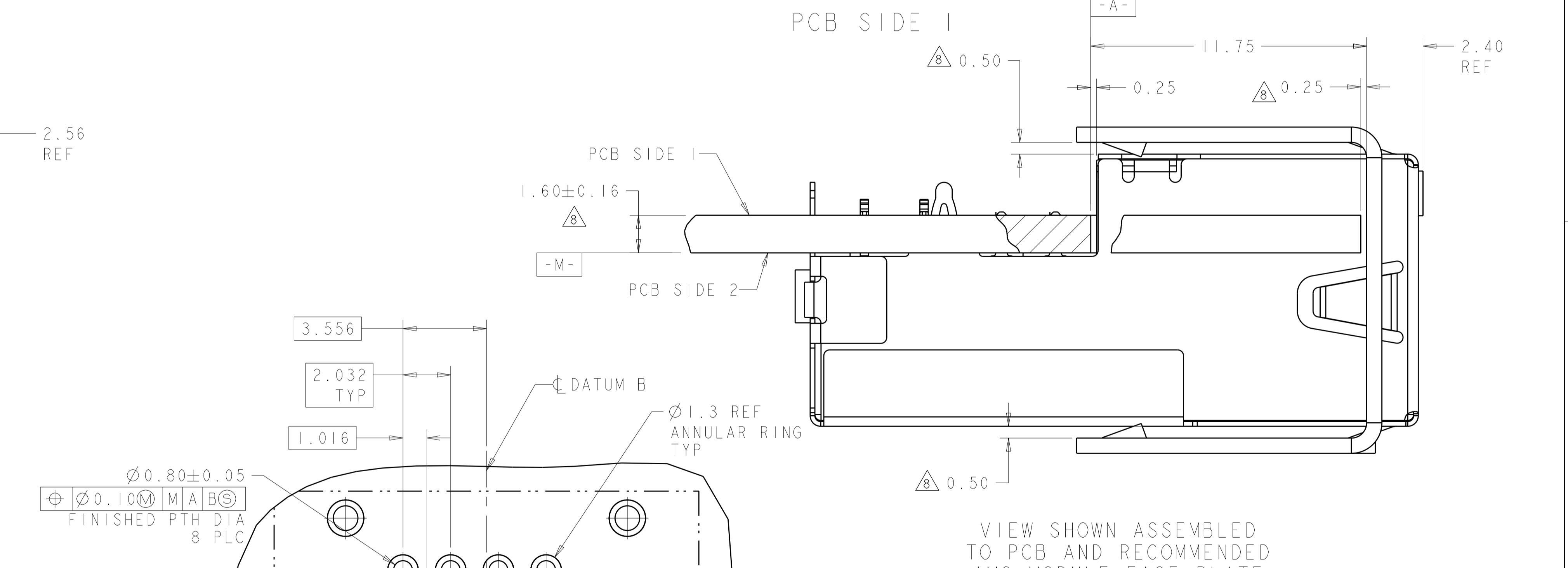
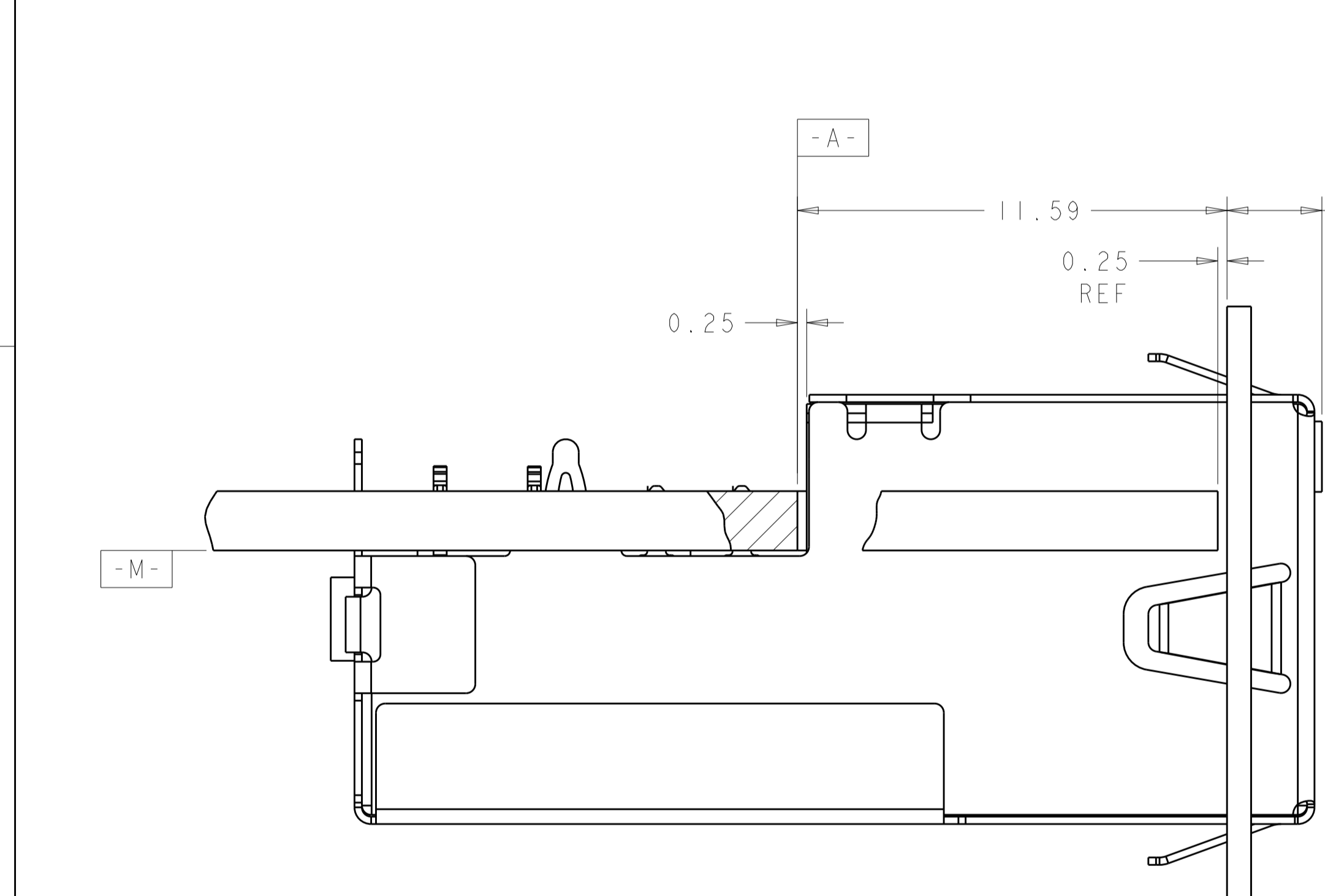
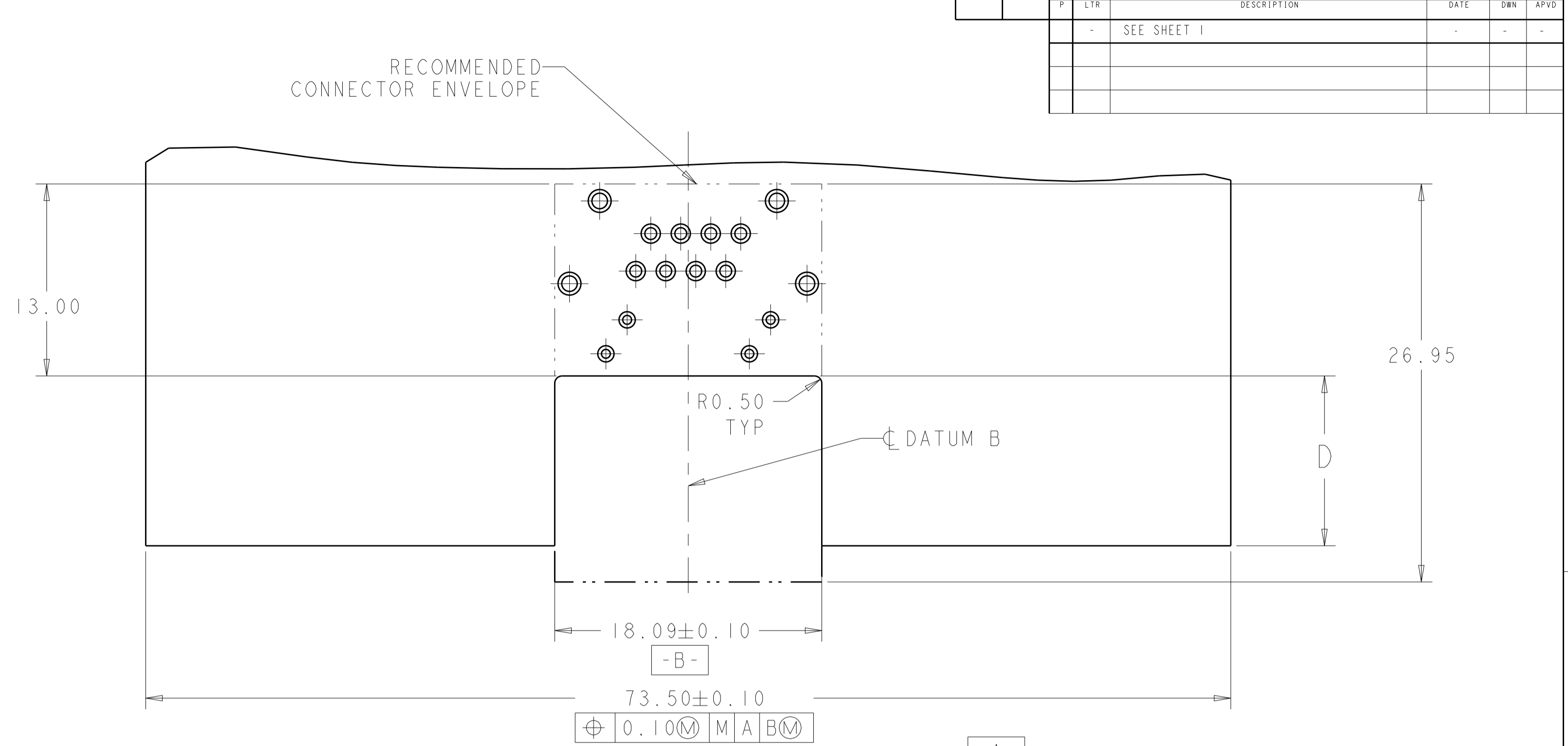
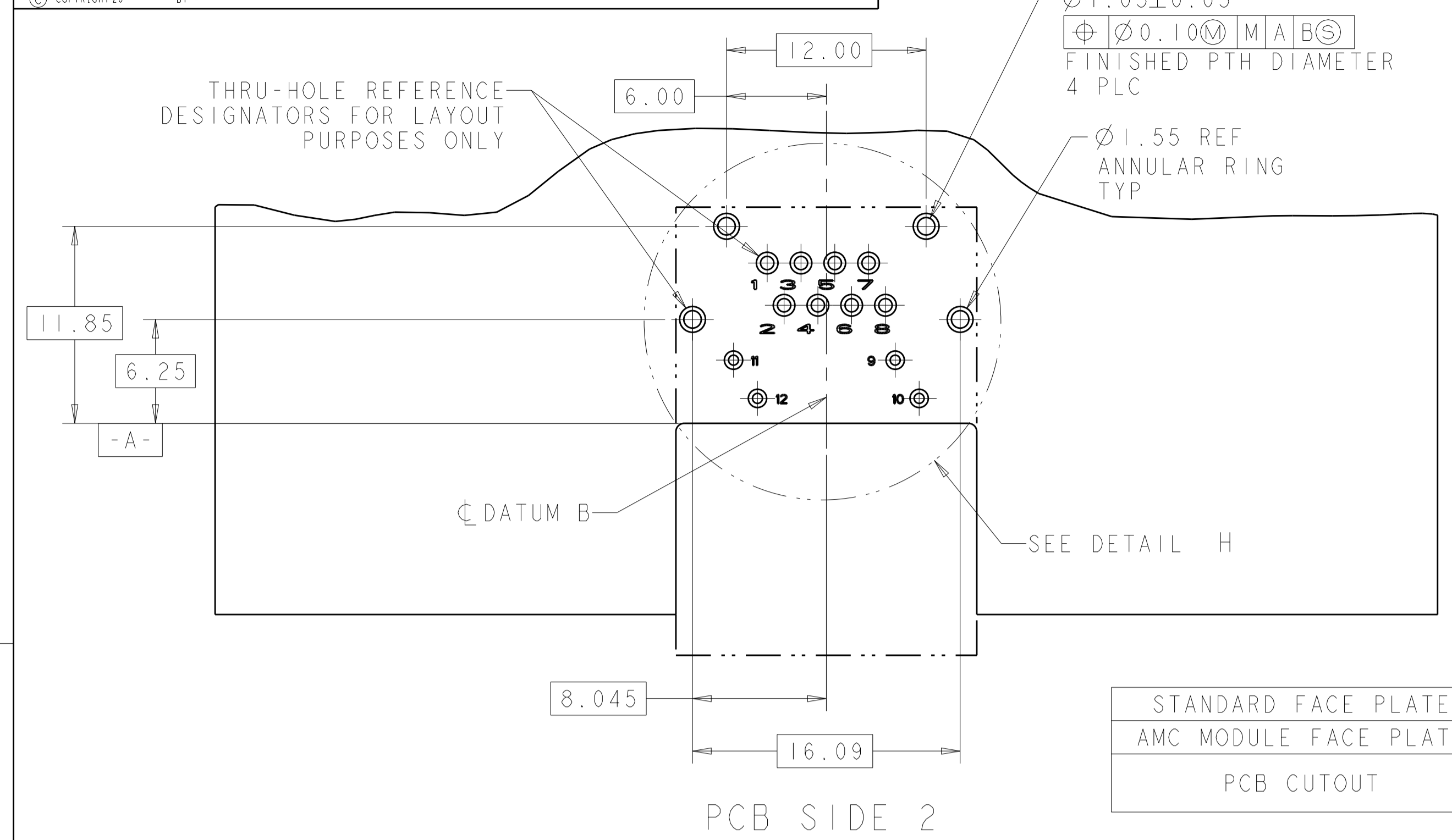
RESTRICTED TO: A100779C=1888250

SCALE: 5:1 SHEET 1 OF 3 REV D

TE Connectivity

CONNECTOR ASSEMBLY, LOW PROFILE, PRESS FIT, MODULAR JACK, 1X1, RJ45

| LOC | | DIST | | REVISIONS | | | |
|-----|-----|-------------|------|-----------|------|--|--|
| P | LTN | DESCRIPTION | DATE | DMN | APVD | | |
| - | - | SEE SHEET 1 | - | - | - | | |



| | PIN # | 1888250-1 | 1888250-2 1888250-7 | 1888250-3 1888250-6 | 1888250-4 | 1888250-5 |
|-------|-------|-------------|----------------------------|------------------------|-------------|-------------|
| LED 1 | 9 | CATHODE (-) | ANODE (YEL), CATHODE (GRN) | - | CATHODE (-) | CATHODE (-) |
| | 10 | ANODE (+) | ANODE (GRN), CATHODE (YEL) | - | ANODE (+) | ANODE (+) |
| LED 2 | 11 | ANODE (+) | ANODE (GRN), CATHODE (YEL) | - | ANODE (+) | ANODE (+) |
| | 12 | CATHODE (-) | ANODE (YEL), CATHODE (GRN) | - | CATHODE (-) | CATHODE (-) |

THIS DRAWING IS A CONTROLLED DOCUMENT.

DMN: MS/L.A.MAYER 15FEB2008
 CHK: J.WESTMAN 15FEB2008
 APVD: S.FLICKINGER 15FEB2008

NAME: CONNECTOR ASSEMBLY, LOW PROFILE, PRESS FIT, MODULAR JACK, IX1, RJ45

PRODUCT SPEC: 108-2274
 APPLICATION SPEC: 114-13179

SIZE: A1
 CAGE CODE: 100779
 DRAWING NO: 1888250

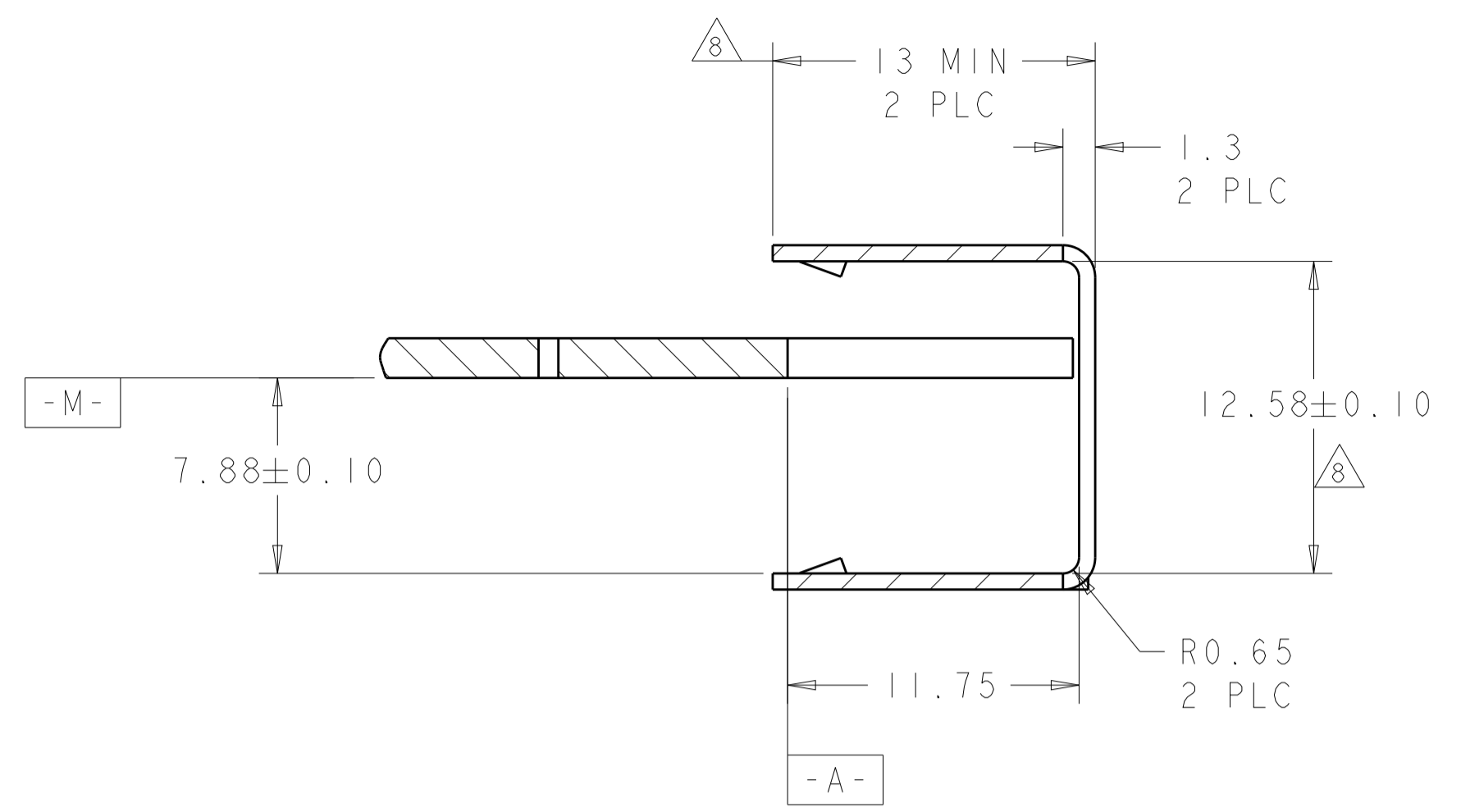
RESTRICTED TO: -

MATERIAL: SEE NOTE 1
 FINISH: SEE NOTE 1

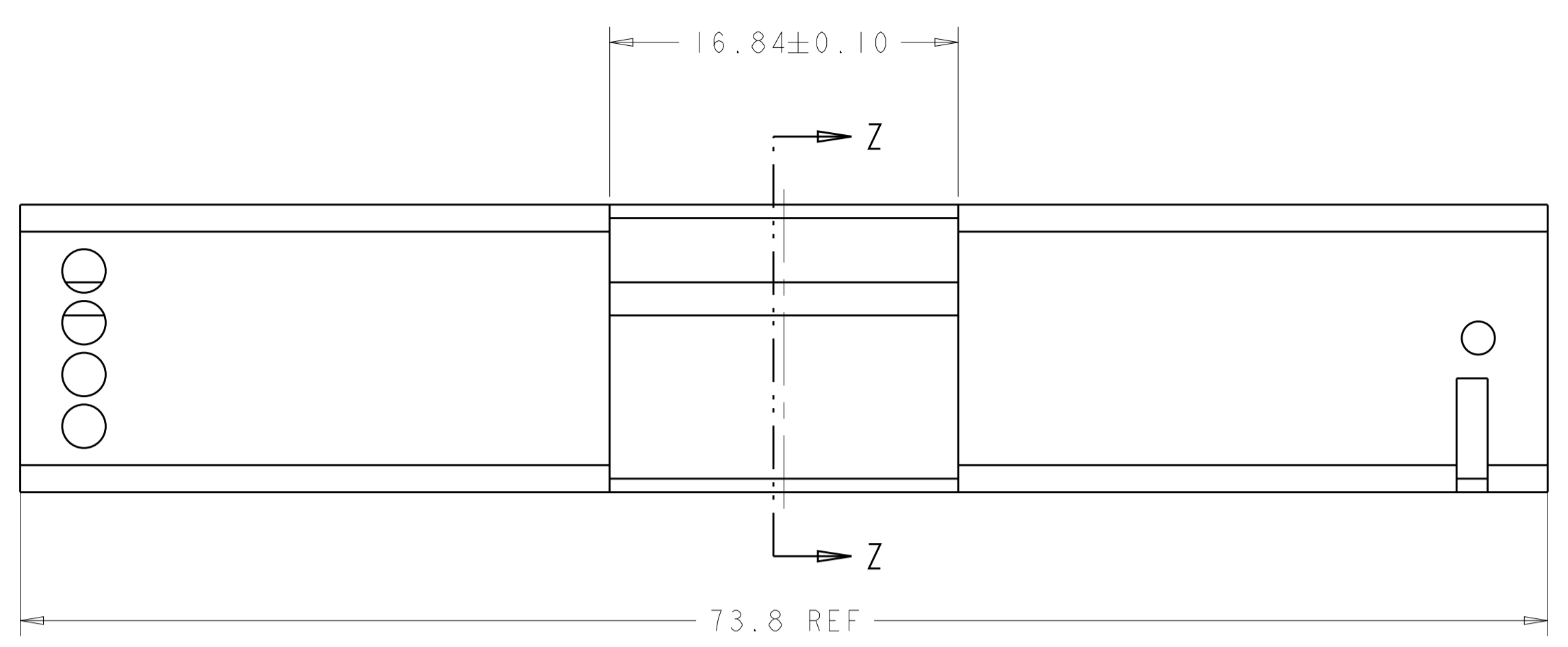
WEIGHT: -
 CUSTOMER DRAWING

SCALE: 5:1
 SHEET: 2 OF 3
 REV: D

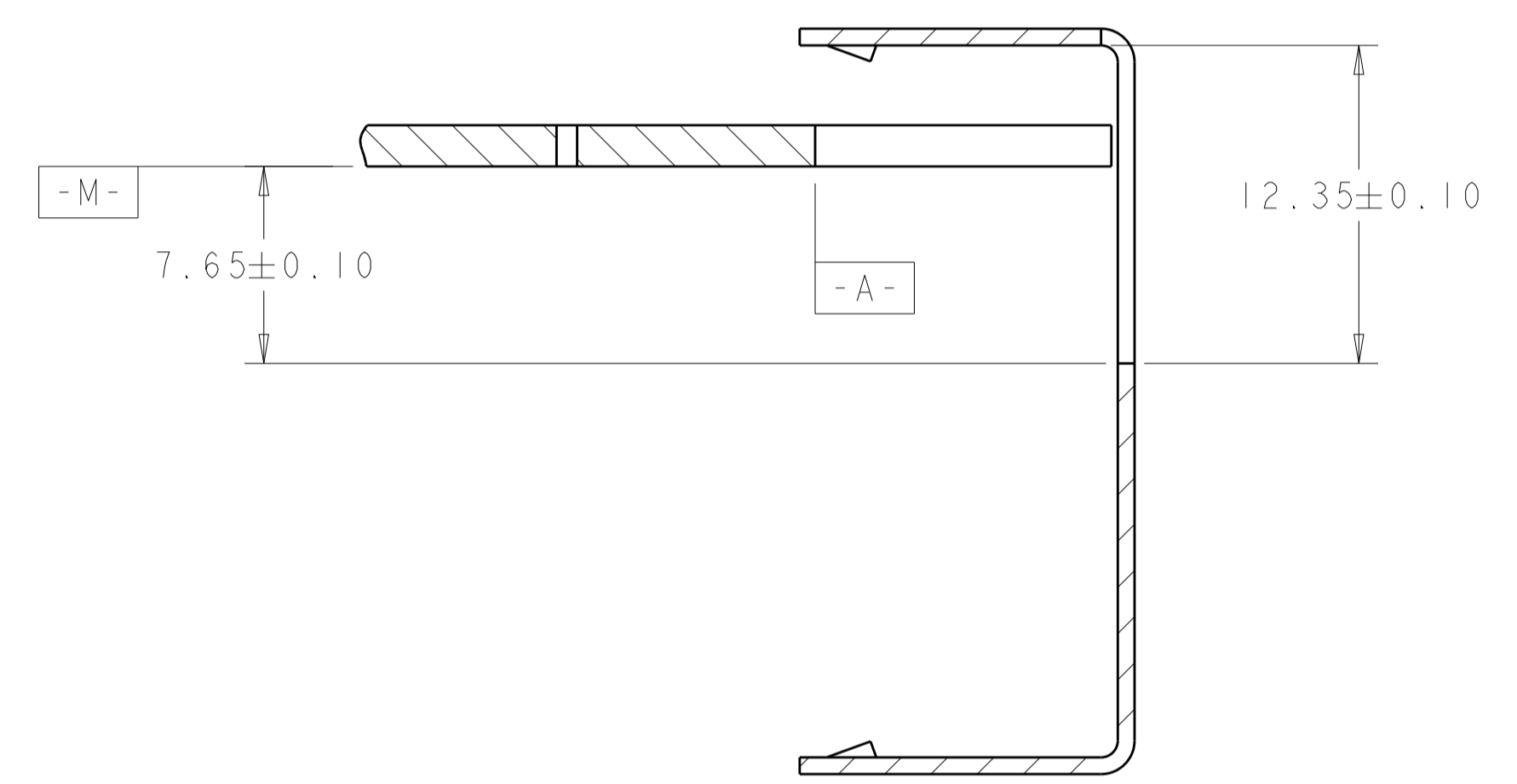
| LOC | | DIST | | REVISIONS | | | |
|-----|-----|-------------|------|-----------|------|--|--|
| P | LTN | DESCRIPTION | DATE | DWN | APVD | | |
| - | - | SEE SHEET 1 | - | - | - | | |



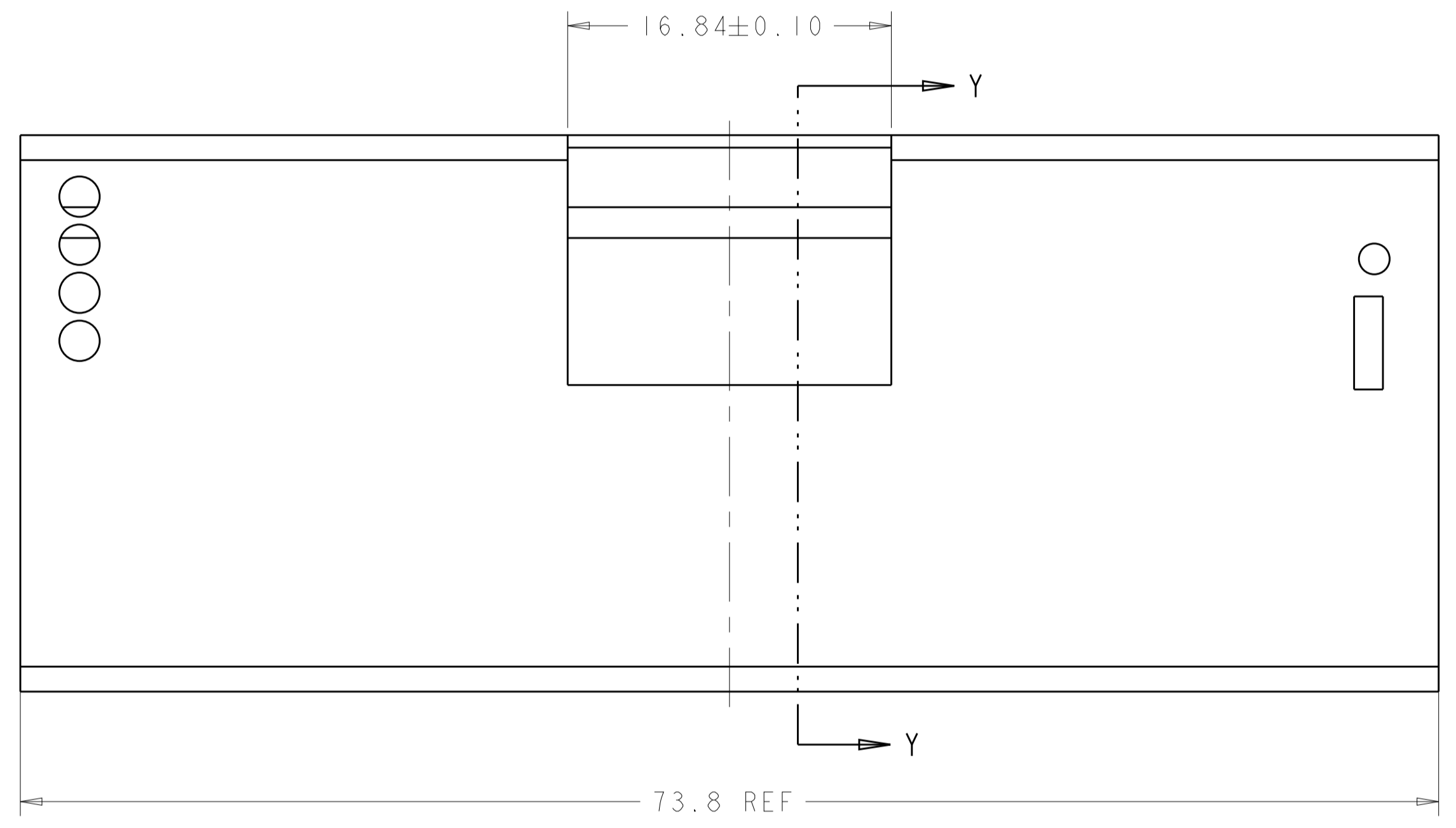
SECTION Z-Z



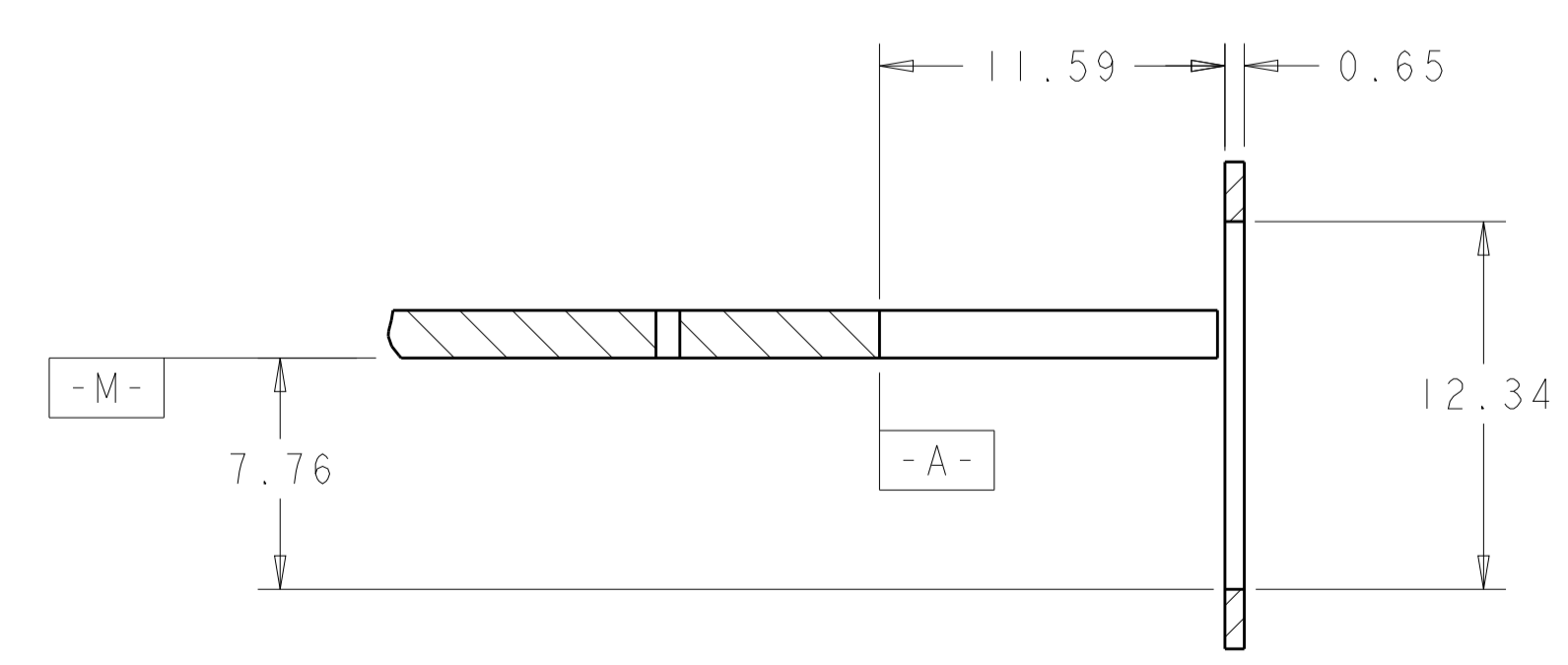
AMC SINGLE WIDTH, HALF HEIGHT MODULE FACE PLATE
SCALE 4:1



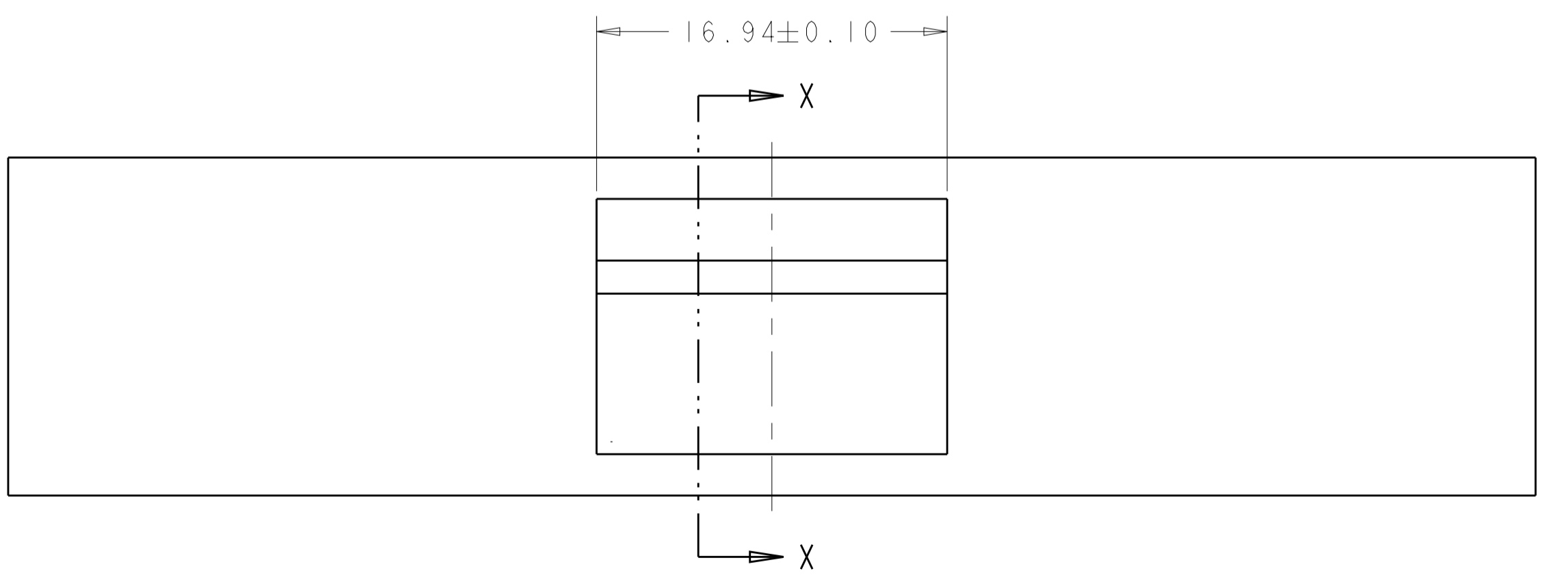
SECTION Y-Y



AMC SINGLE WIDTH, FULL HEIGHT MODULE FACE PLATE
SCALE 4:1



SECTION X-X



STANDARD FACE PLATE
SCALE 4:1

| | | | |
|--|--|--|--|
| THIS DRAWING IS A CONTROLLED DOCUMENT. | | DWN: MS/L.A.MAYER 15FEB2008 | TE Connectivity |
| DIMENSIONS: mm | | CHK: J.WESTMAN 15FEB2008 | |
| TOLERANCES UNLESS OTHERWISE SPECIFIED: | | APVD: S.FLICKINGER 15FEB2008 | NAME: CONNECTOR ASSEMBLY, LOW PROFILE, PRESS FIT, MODULAR JACK, IX1, RJ45 PRODUCT SPEC: 108-2274 APPLICATION SPEC: 114-13179 |
| 0 PLC ± 1 PLC ±0.13 2 PLC ± 3 PLC ± 4 PLC ± ANGLES ±° | | SIZE: A1 CAGE CODE: 100779 DRAWING NO: 1888250 | |
| MATERIAL: SEE NOTE 1 | | FINISH: SEE NOTE 1 | RESTRICTED TO: - SCALE: 5:1 SHEET: 3 OF 3 REV: D |

Mouser Electronics

Authorized Distributor

Click to View Pricing, Inventory, Delivery & Lifecycle Information:

[TE Connectivity:](#)

[1888250-4](#)