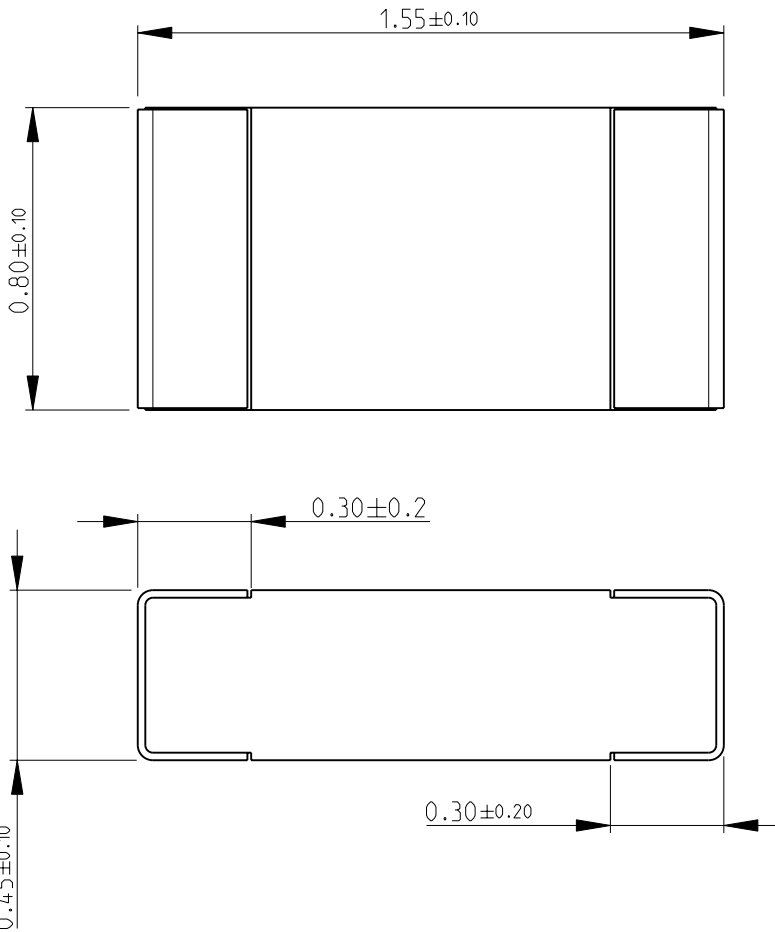
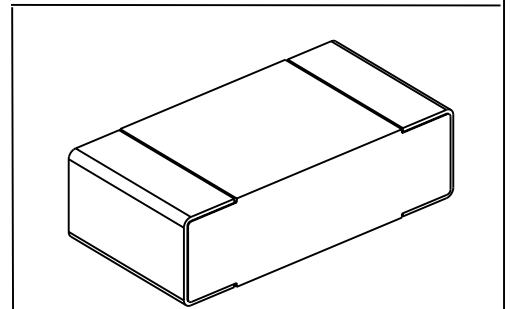
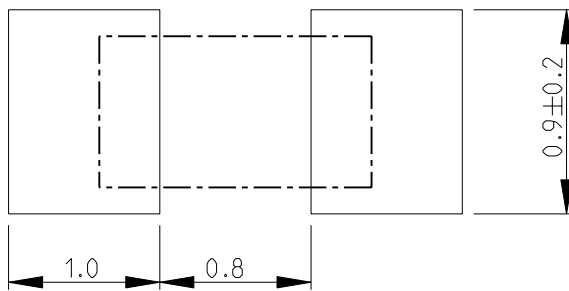


LOC	DIST	REVISIONS					
E	B	P	LTR	DESCRIPTION	DATE	DWN	APVD
			BA	NEW RELEASE	08SEP2010	PT	St.P

FOR FURTHER INFORMATION SEE DATA SHEET FOR  
RN73 SERIES-HIGH PRECISION RESISTORS (SMD)



RECOMMENDED LAND PATTERN



2010  
RELEASED FOR PUBLICATION  
THIS DRAWING IS UNPUBLISHED.  
COPYRIGHT 2010 BY TYCO ELECTRONICS CORPORATION. ALL RIGHTS RESERVED.

DIMENSIONS: mm	DWN	PARUSURAM.T	08SEP2010	MATERIAL	-	FINISH	-
	CHK	ALLAN.P	08SEP2010	Tyco Electronics Corporation Dorcan, Swindon, SN3 5HH			
TOLERANCES UNLESS OTHERWISE SPECIFIED:	APVD	STEPHEN.P	08SEP2010				
0 PLC $\pm 0.2$	PRODUCT SPEC	-	-	NAME HIGH PRECISION RESISTORS (SMD) SERIES RN73 1J			
1 PLC $\pm 0.1$	APPLICATION SPEC	-	-	SIZE	CAGE CODE	DRAWING NO	RESTRICTED TO
2 PLC $\pm$				A 4	00779	© = 1879135	-
3 PLC $\pm$				CUSTOMER DRAWING			
4 PLC $\pm$	WEIGHT	-	-	SCALE	20:1	SHEET	1 OF 1
ANGLES $\pm 5^\circ$				REV BA			

# Mouser Electronics

Authorized Distributor

Click to View Pricing, Inventory, Delivery & Lifecycle Information:

[TE Connectivity:](#)

[8-1879135-8](#)