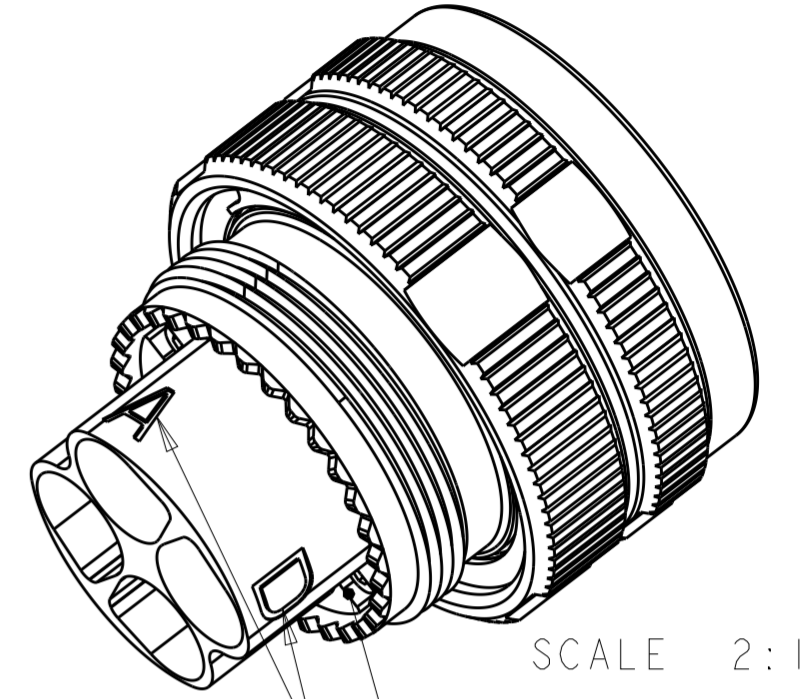
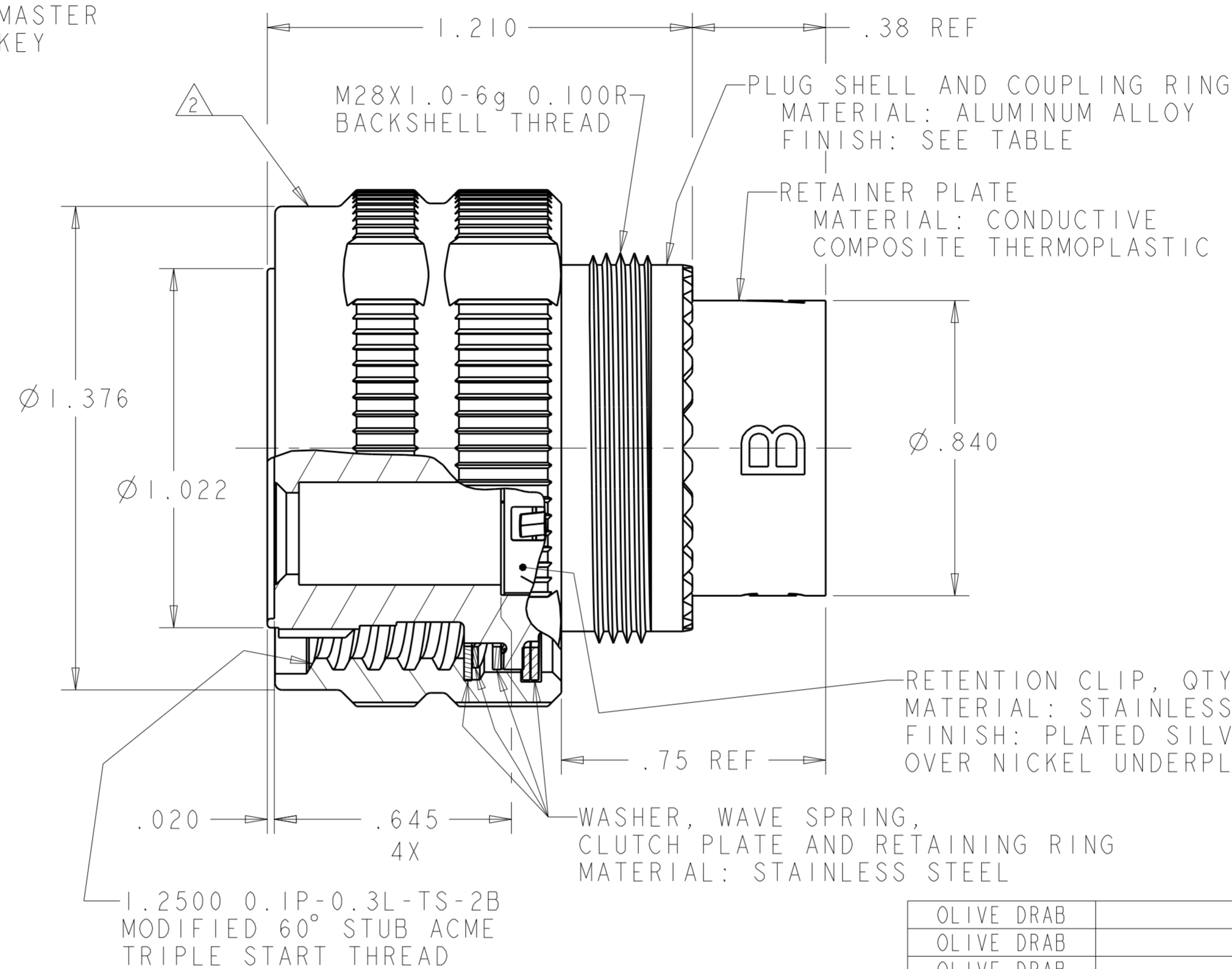
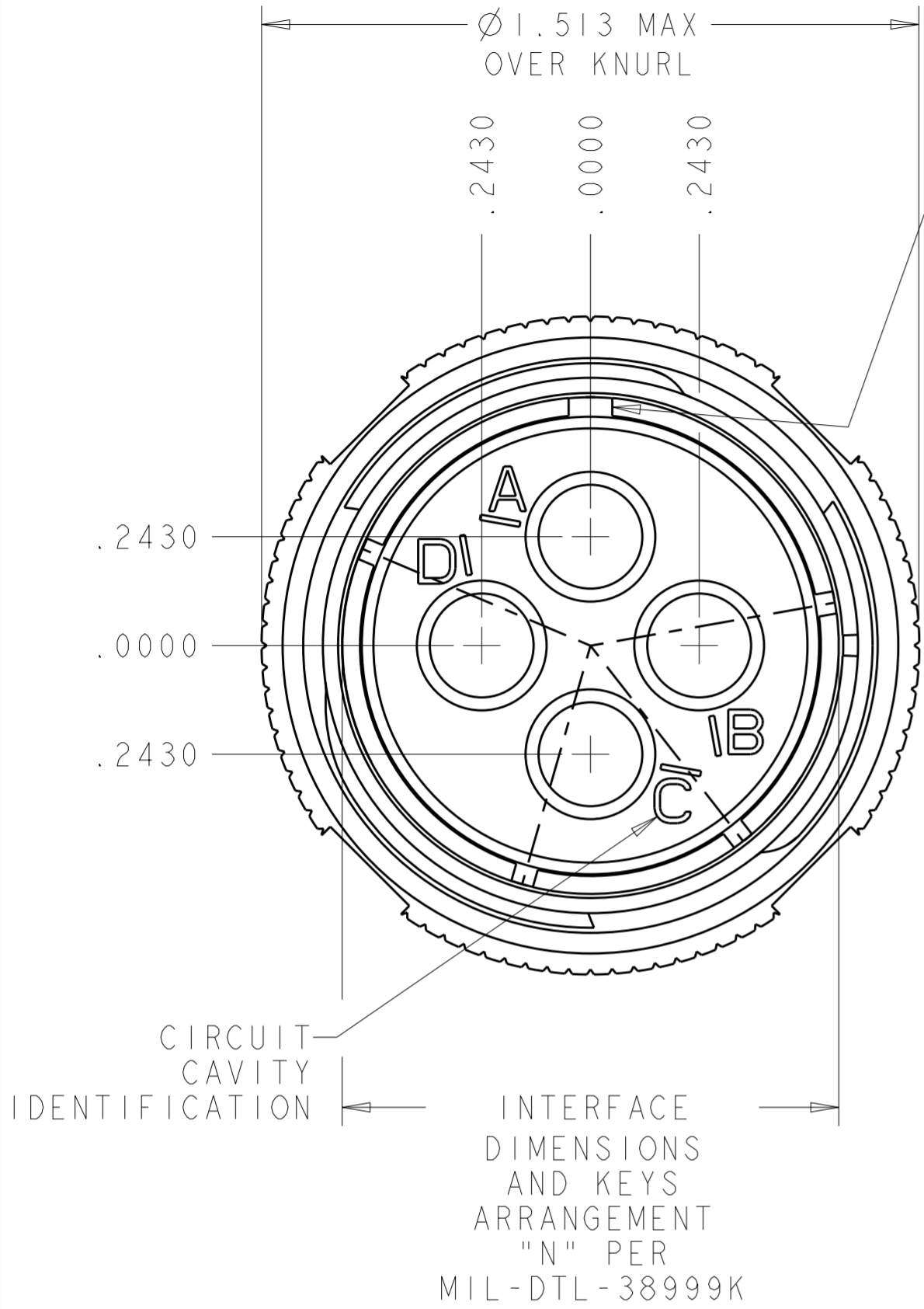


THIS DRAWING IS UNPUBLISHED. RELEASED FOR PUBLICATION 20  
 © COPYRIGHT 20 BY - ALL RIGHTS RESERVED.

REVISIONS					
P	LTR	DESCRIPTION	DATE	DWN	APVD
	E1	REV PER ECO 14-002547	4-24-14	CT	DM



CIRCUIT ID'S MARKED ON OUTER CIRCUMFERENCE APPROX AS SHOWN  
 RTV SEALANT (MIL-A-46146)

RETENTION CLIP, QTY=4  
 MATERIAL: STAINLESS STEEL  
 FINISH: PLATED SILVER OVER NICKEL UNDERPLATE

WASHER, WAVE SPRING, CLUTCH PLATE AND RETAINING RING  
 MATERIAL: STAINLESS STEEL

1.2500 0.1P-0.3L-TS-2B  
 MODIFIED 60° STUB ACME TRIPLE START THREAD

OLIVE DRAB	-	B	1-1811902-9
OLIVE DRAB	-	A	1-1811902-8
OLIVE DRAB	-	N	1-1811902-7
NICKEL	1877040-2	B	1-1811902-5
NICKEL	1877040-2	A	1-1811902-4
NICKEL	1877040-2	N	1-1811902-3
OLIVE DRAB	1445693-3	B	1-1811902-2
OLIVE DRAB	1445693-3	A	1-1811902-1
OLIVE DRAB	1445693-3	N	1-1811902-0
NICKEL	-	B	1811902-9
NICKEL	-	A	1811902-8
NICKEL	-	N	1811902-7
NICKEL	1445693-3	B	1811902-3
NICKEL	1445693-3	A	1811902-2
NICKEL	1445693-3	N	1811902-1
SHELL FINISH	QUADRAX CONTACT QTY=4	SHELL KEYING ARRANGEMENT	PART NUMBER

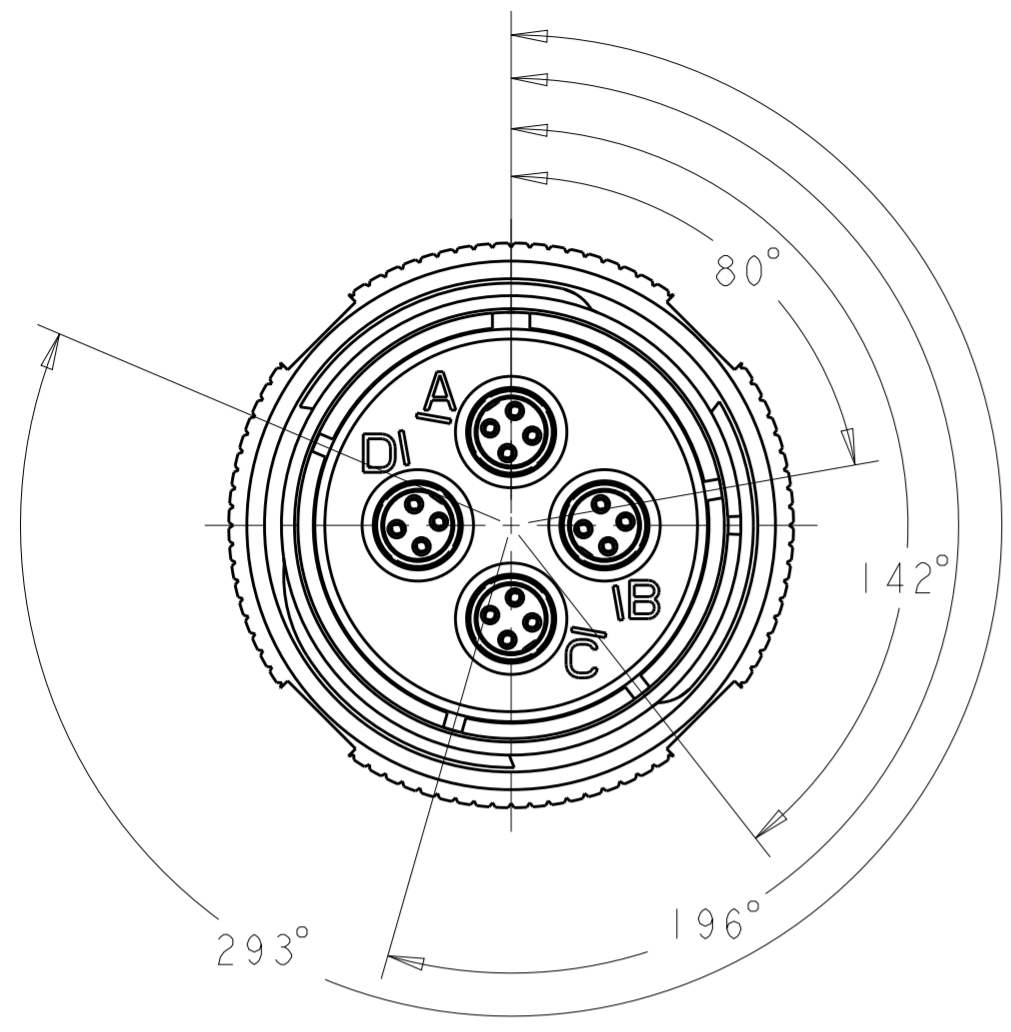
- THIS CONNECTOR ACCEPTS TYCO ELECTRONICS QUADRAX SOCKET ASSEMBLY; PART NUMBER 1445693-3 OR 1877040-2.
- PART IS MARKED WITH TE PART NO. (SEE TABLE), TE LOGO OR TE, TYCO ELECTRONICS CAGE CODE, AND DATE CODE.
- OPERATING TEMPERATURE RANGE: -65°C TO +125°C (-85°F TO +257°F).
- THE CONNECTOR QUALIFICATION WAS COMPLETED PER TYCO ELECTRONICS 108-2199. THE QUADRAX CONTACTS ARE QUALIFIED PER TYCO ELECTRONICS 108-2131. THE REFERENCE TEST REPORTS ARE TYCO ELECTRONICS 501-660 FOR THE CONNECTOR AND 501-574 FOR THE CONTACTS WHICH ARE SAME AS ARINC 600-13, DRAFT 2 OF SUPPLEMENT 14 (AIR TRANSPORT AVIONICS EQUIPMENT INTERFACES).

THIS DRAWING IS A CONTROLLED DOCUMENT.

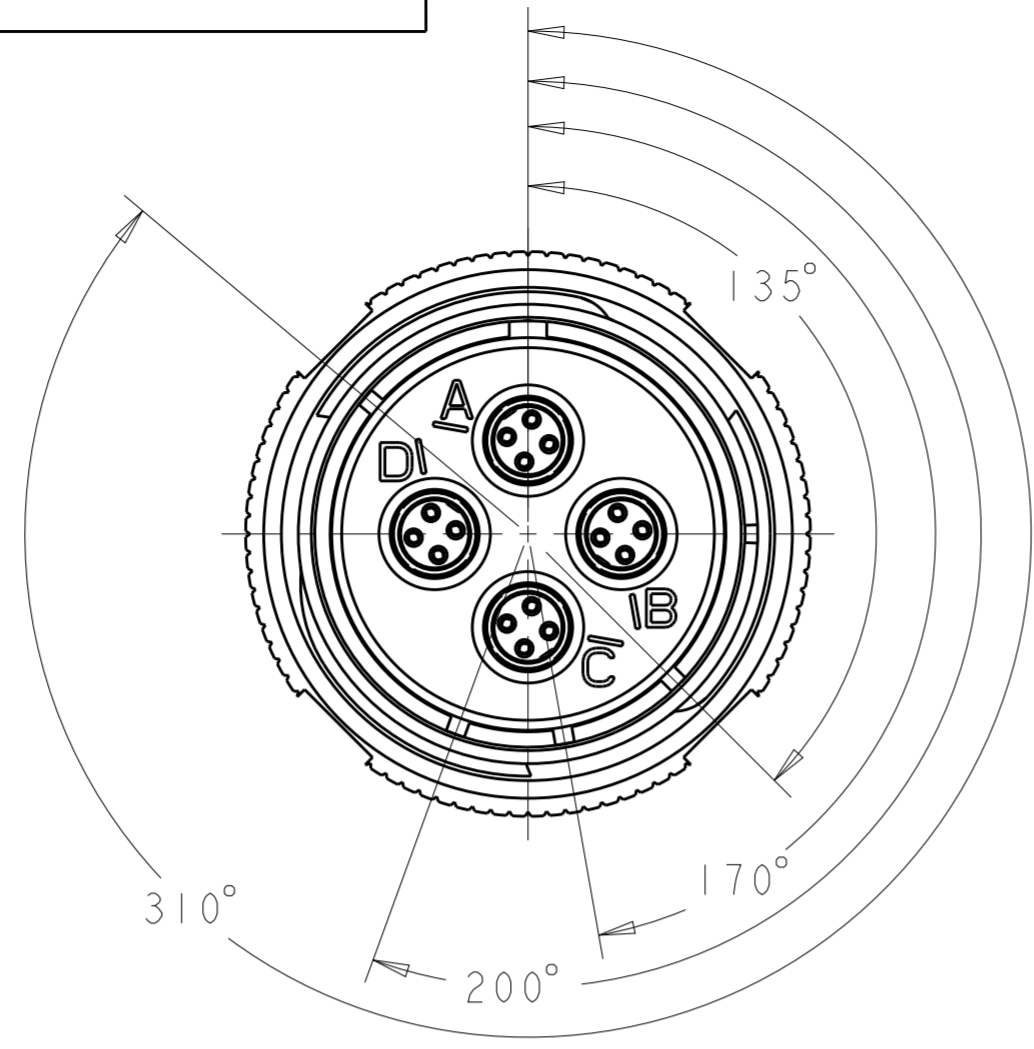
DIMENSIONS: INCHES	TOLERANCES UNLESS OTHERWISE SPECIFIED:	DWN R FLAIG 02AUG2005	TE Connectivity
	0 PLC ±.1	CHK L OH 02AUG2005	
	1 PLC ±.01	APVD L OH 02AUG2005	
MATERIAL	2 PLC ±.005	PRODUCT SPEC	NAME ASSY, PLUG, SIZE 19, 404, M38999 STYLE
	3 PLC ±.0020	APPLICATION SPEC	SIZE A2
	4 PLC ANGLES ±1°	WEIGHT	CAGE CODE -
	FINISH	CUSTOMER DRAWING	DRAWING NO. C-1811902
		SCALE 3:1	SHEET 1 OF 2
		REV E1	

THIS DRAWING IS UNPUBLISHED. RELEASED FOR PUBLICATION 20  
 © COPYRIGHT 20 BY - ALL RIGHTS RESERVED.

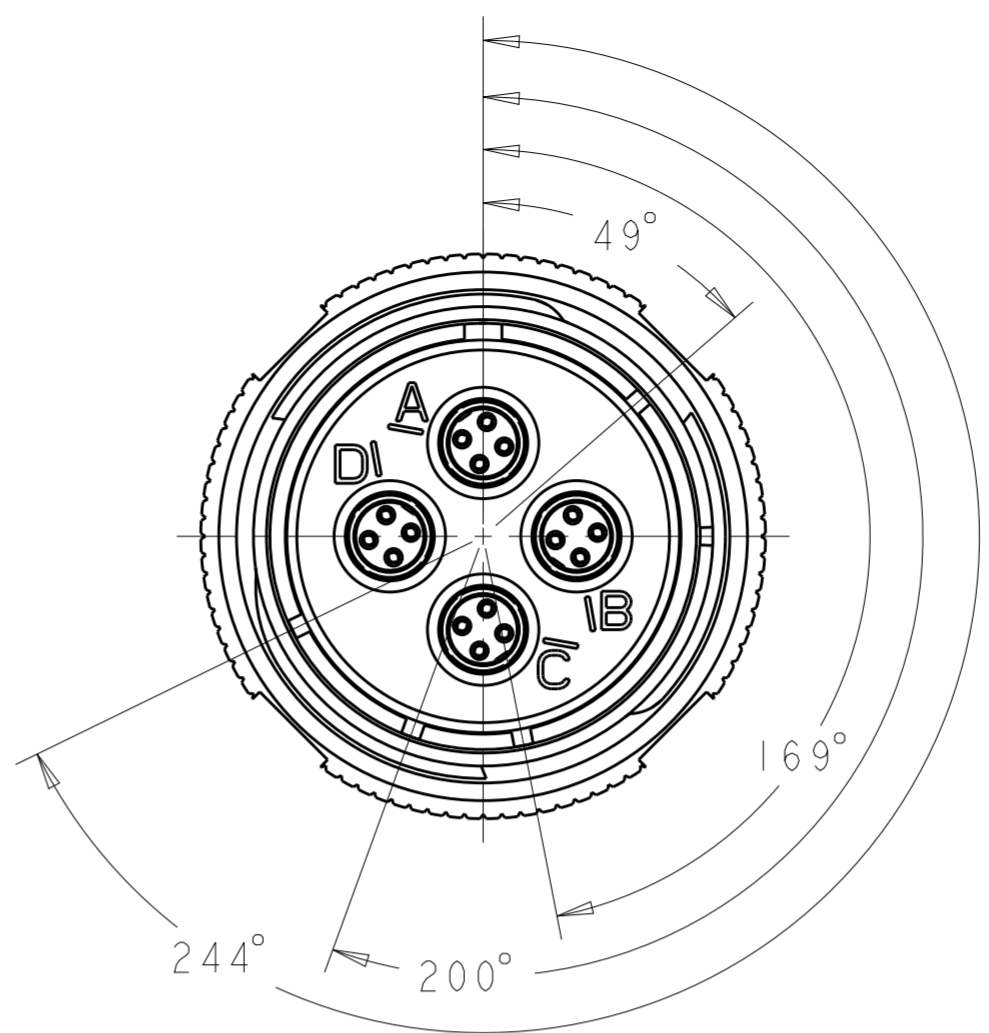
REVISIONS				
P	LTR	DESCRIPTION	DATE	APVD
-	-	SEE SHEET 1	-	-



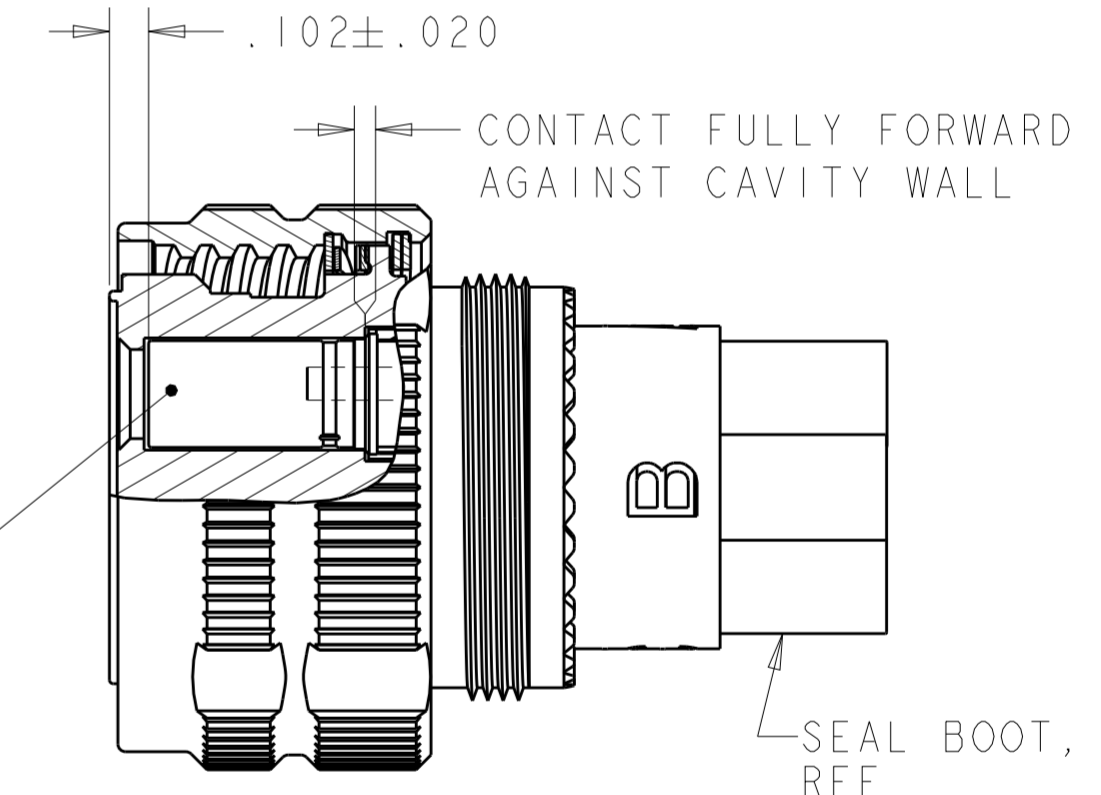
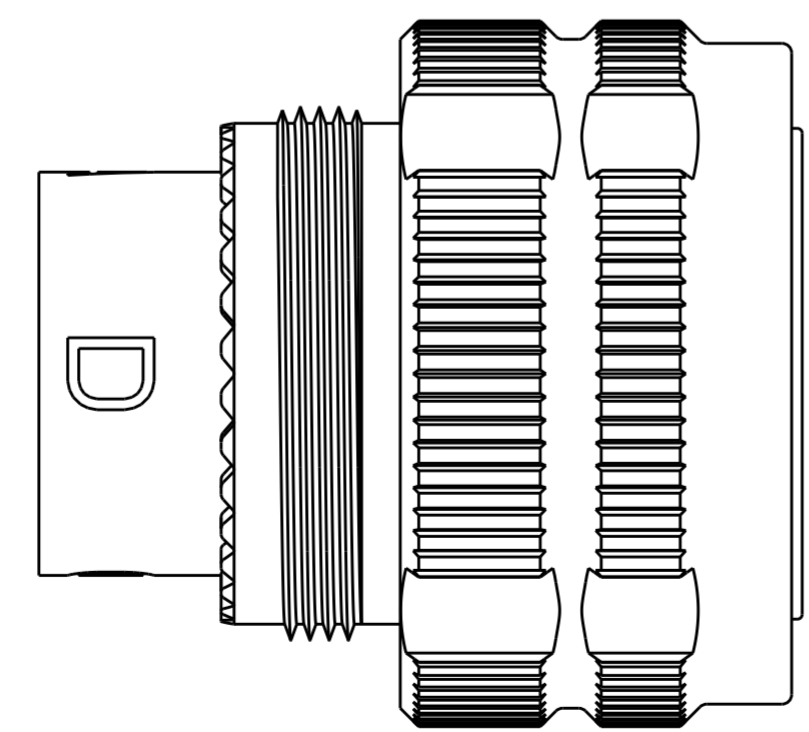
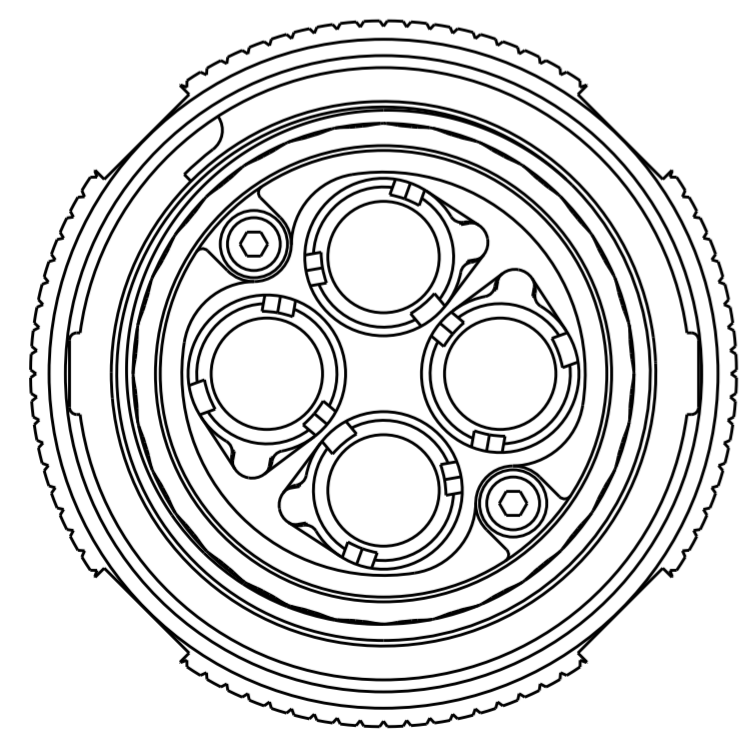
1811902-1  
"N" KEY POLARIZATION



1811902-2  
"A" KEY POLARIZATION



1811902-3  
"B" KEY POLARIZATION



QUADRAX SOCKET ASSY,  
SHOWN FOR REF ONLY  
-1, -2, -3, -10, -11,  
-12, -13, -14, & -15 CONTACT PROVIDED UN-ASSEMBLED  
-7, -8, & -9 CONTACT SOLD SEPARATELY

SECTION Y-Y  
SCALE 2:1

THIS DRAWING IS A CONTROLLED DOCUMENT.		DWN R FLAIG 02AUG2005	TE Connectivity	
DIMENSIONS: INCHES		CHK L OH 02AUG2005		
TOLERANCES UNLESS OTHERWISE SPECIFIED:		APVD L OH 02AUG2005	NAME ASSY, PLUG, SIZE 19, 404, M38999 STYLE	
0 PLC ±.1	1 PLC ±.01	PRODUCT SPEC	SIZE A2	
2 PLC ±.005	3 PLC ±.0020	APPLICATION SPEC	CAGE CODE	DRAWING NO
4 ANGLES ±1°	FINISH	WEIGHT	-	G-1811902
MATERIAL		CUSTOMER DRAWING	SCALE 3:1	SHEET 2 OF 2

# Mouser Electronics

Authorized Distributor

Click to View Pricing, Inventory, Delivery & Lifecycle Information:

[TE Connectivity:](#)

[1811902-7](#)